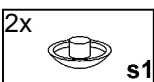
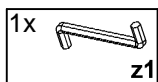
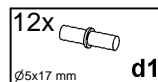
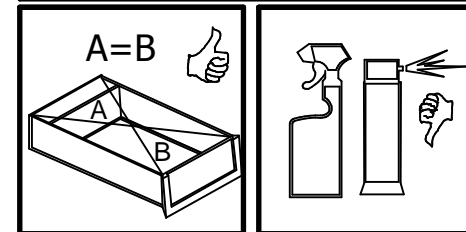
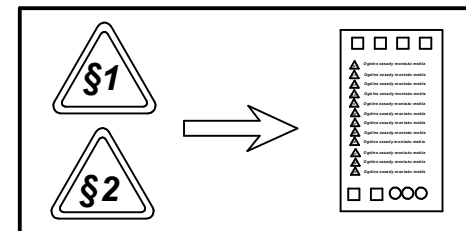
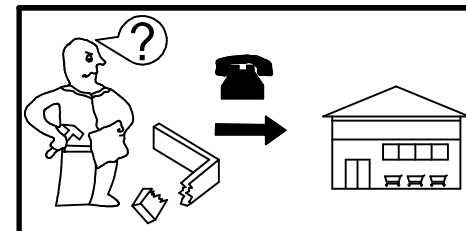
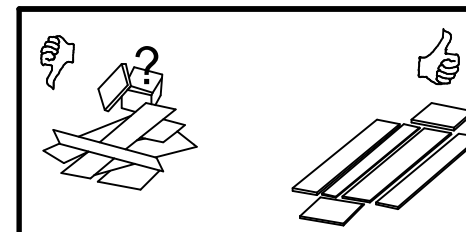
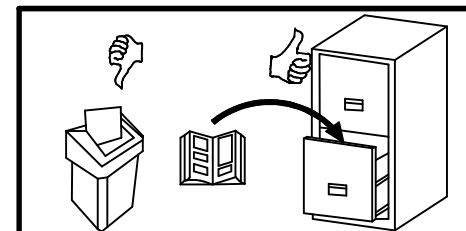
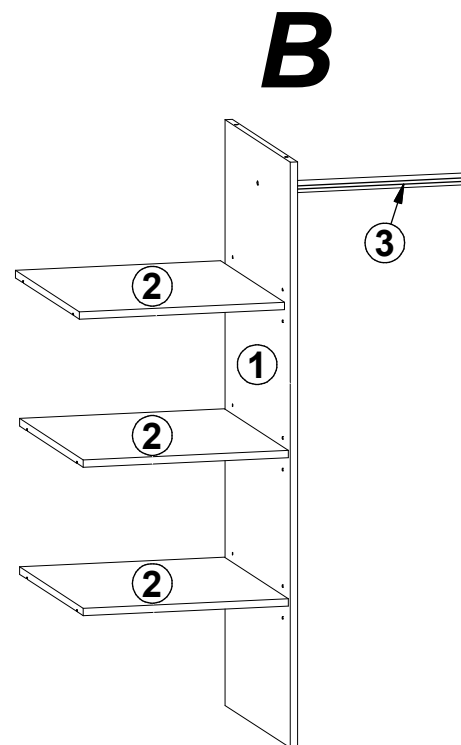
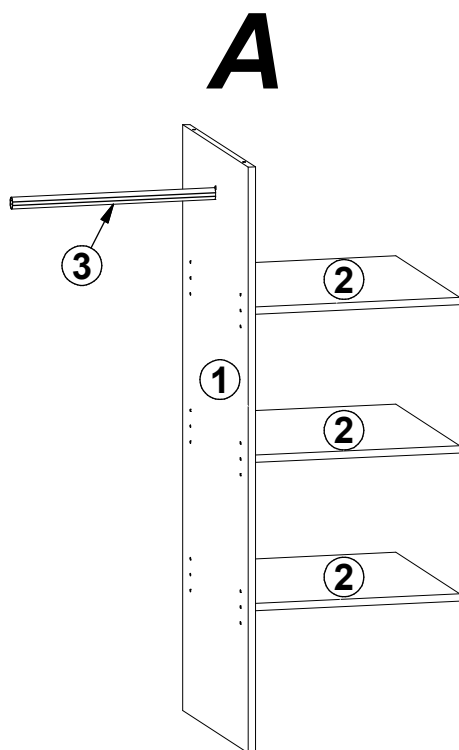
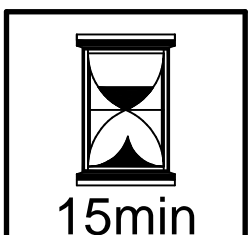
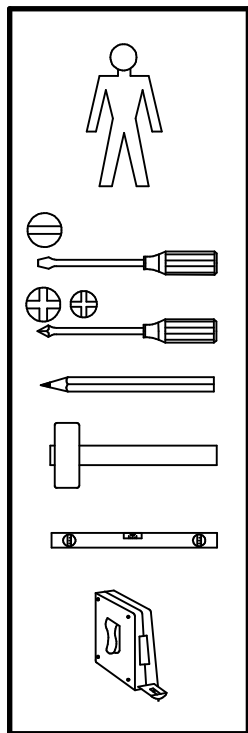
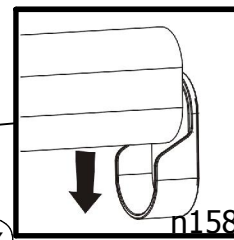
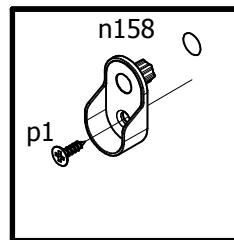
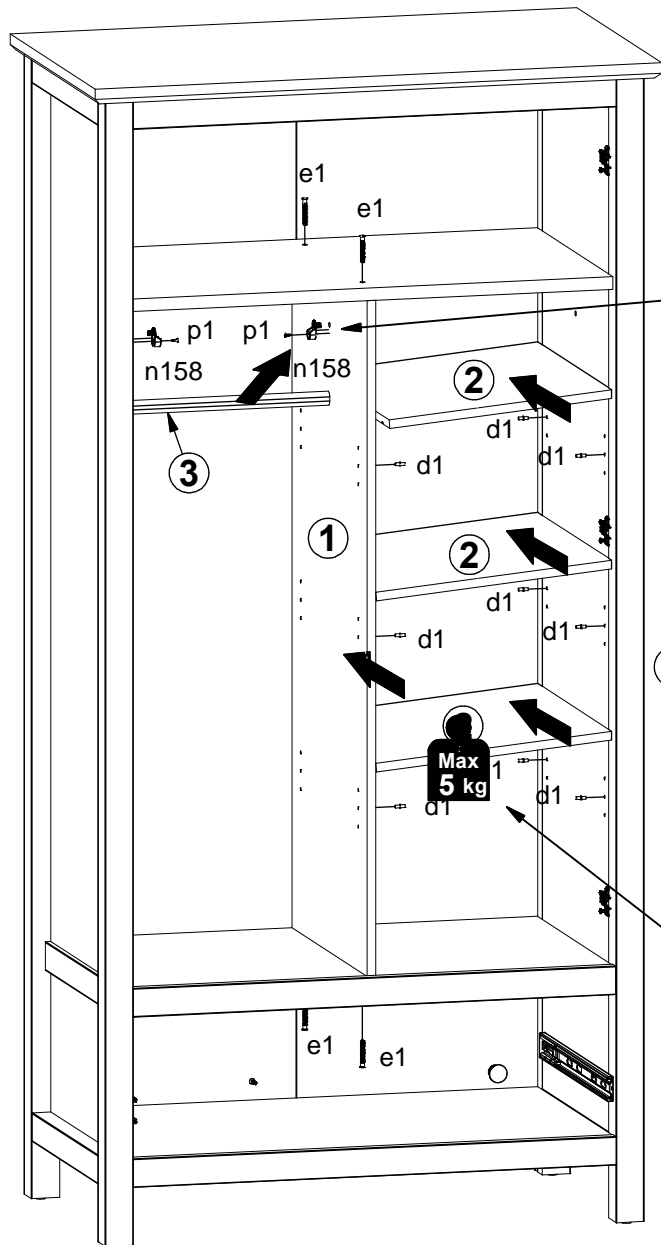




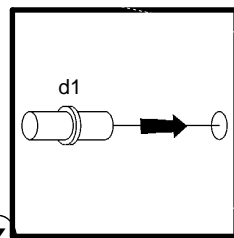
A	B	C1	C2	C3	D
1	S515-1024	1181	501	15	1/1
2	S515-3019	422	491	15	1/1
3	dr-418	418	22	15	1/1



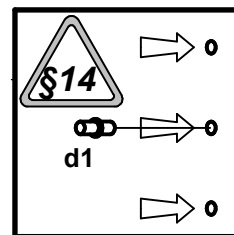
9



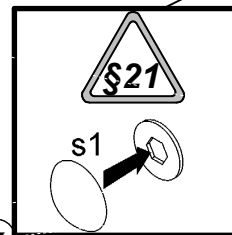
2x



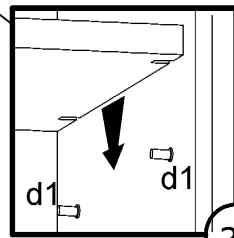
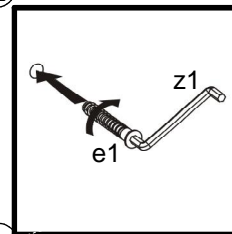
12x



2x



4x



3x

