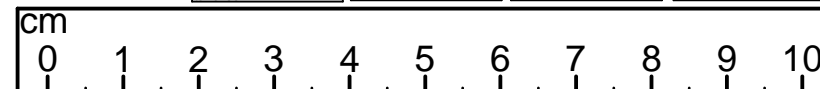
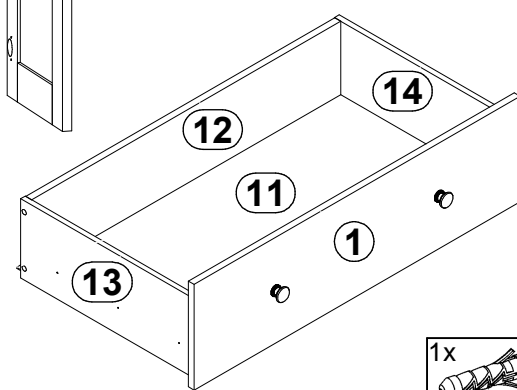
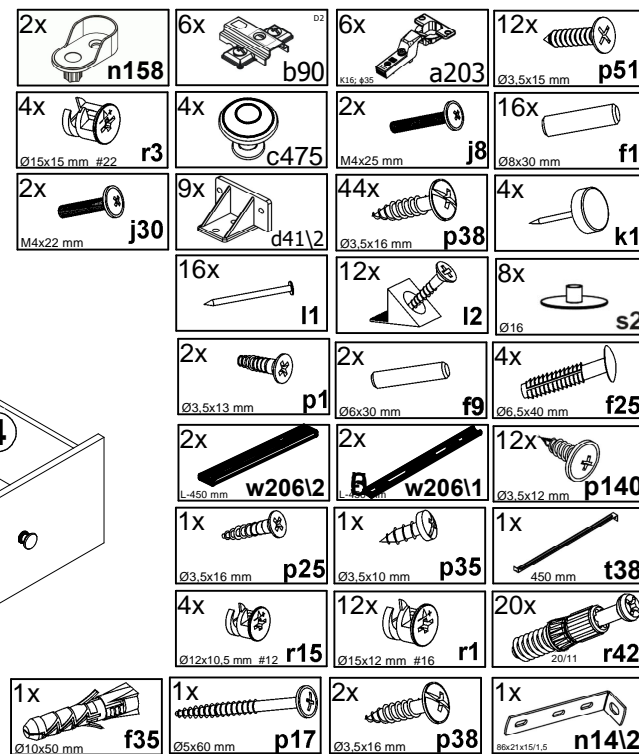
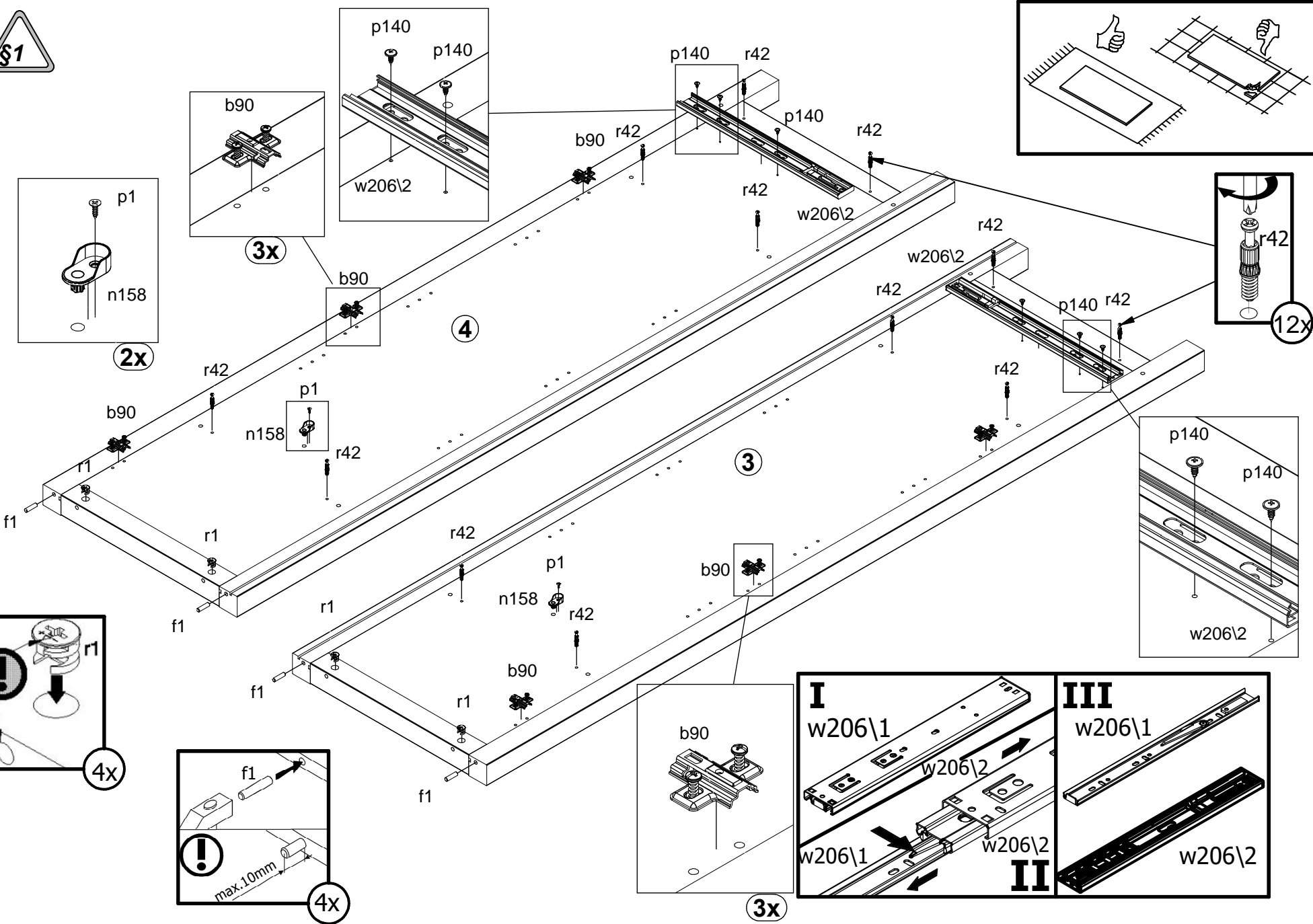
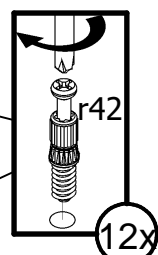
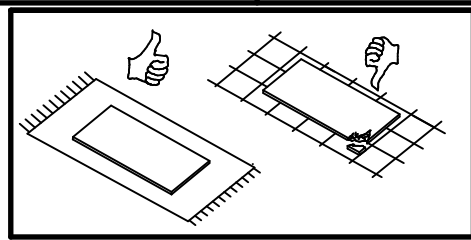


A	B	C1	C2	C3	D
1	S515-0007	855	240	15	1/4
2	S515-0013	1495	426	19	2/4
3	S515-1022	2000	541	50	3/4
4	S515-1023	2000	541	50	4/4
5	S515-2008	1010	566	28	1/4
6	S515-3016	861	501	15	2/4
7	S515-3017	861	501	15	2/4
8	S515-3018	861	501	22	1/4
9	S515-5204	861	50	19	2/4
10	S515-9305	1869	871	2.5	3/4
11	WSP-9334	821	458	2.5	1/4
12	ZK3-5077	811	167	15	1/4
13	ZK4-507	450	180	12	1/4
14	ZK4-508	450	180	12	1/4
15	dr-857	857	22	15	2/4





2x

3x

4

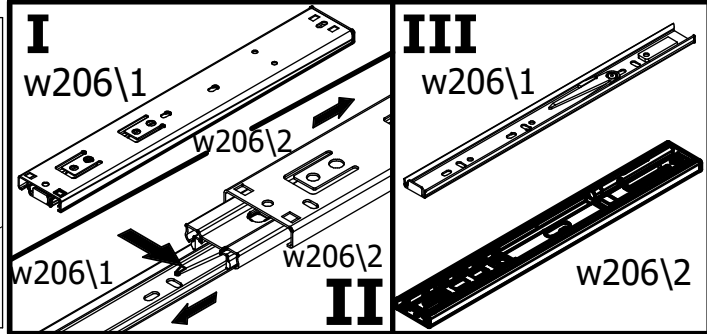
3

12x

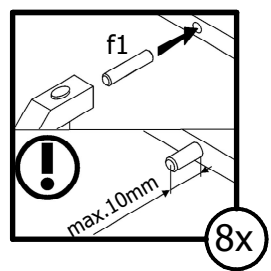
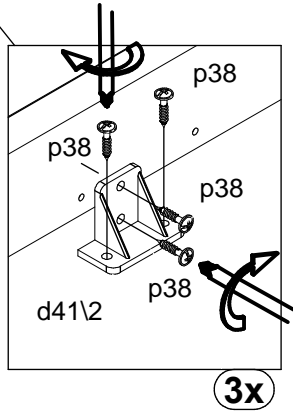
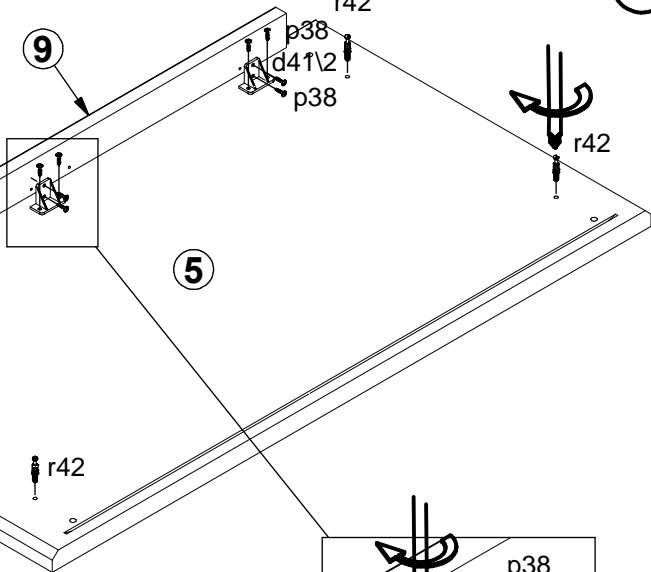
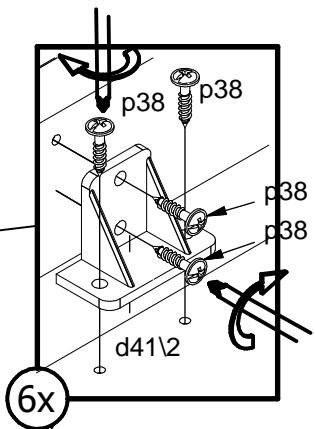
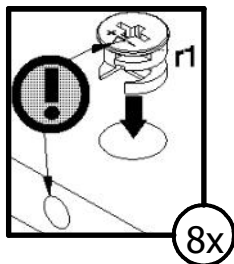
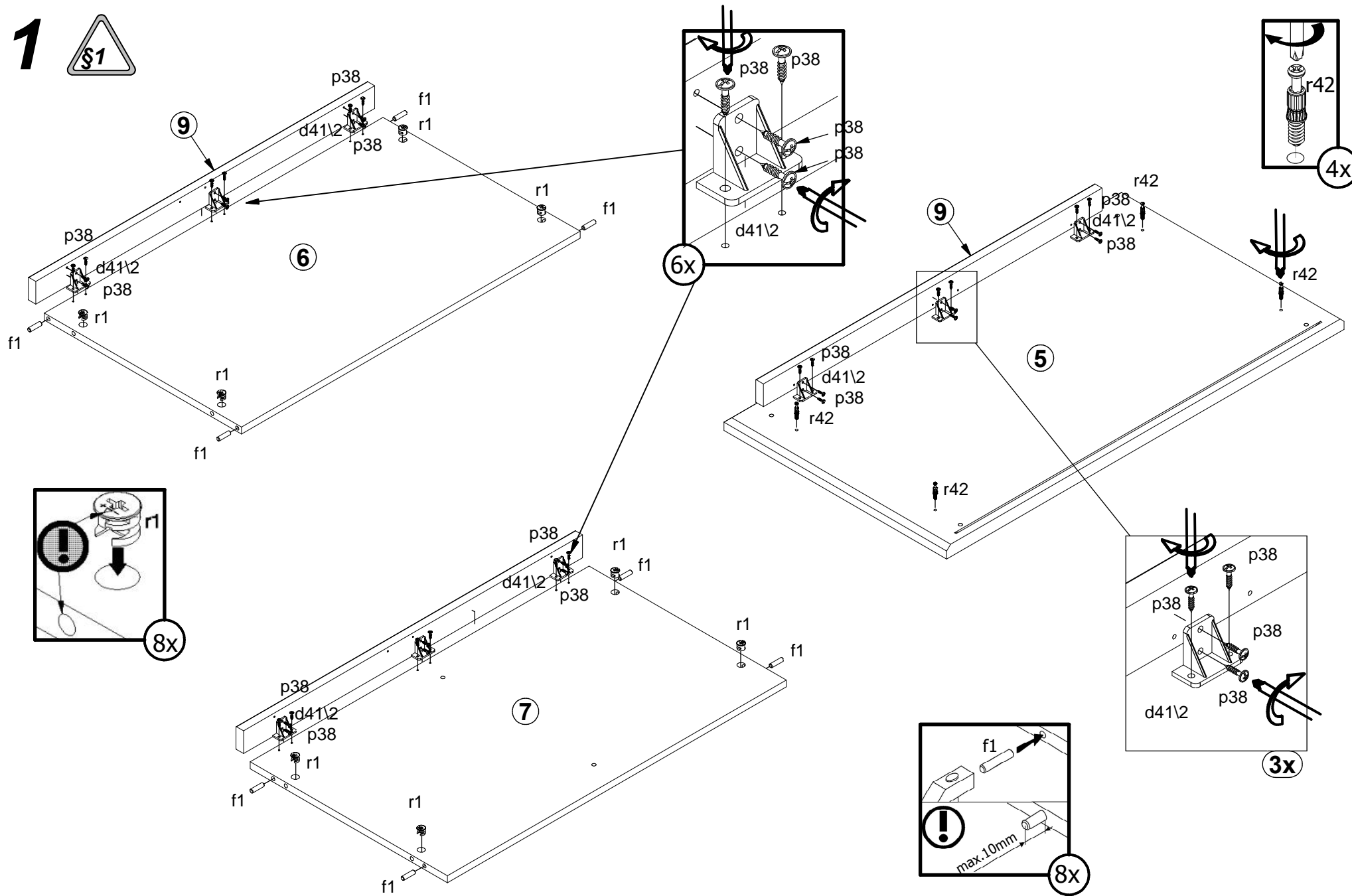
4x

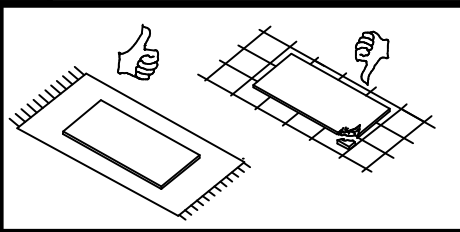
4x

3x

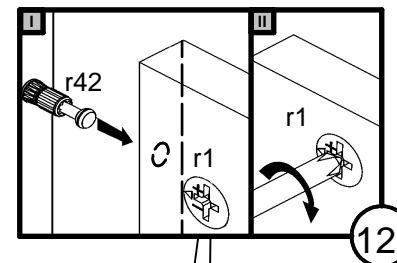


1 

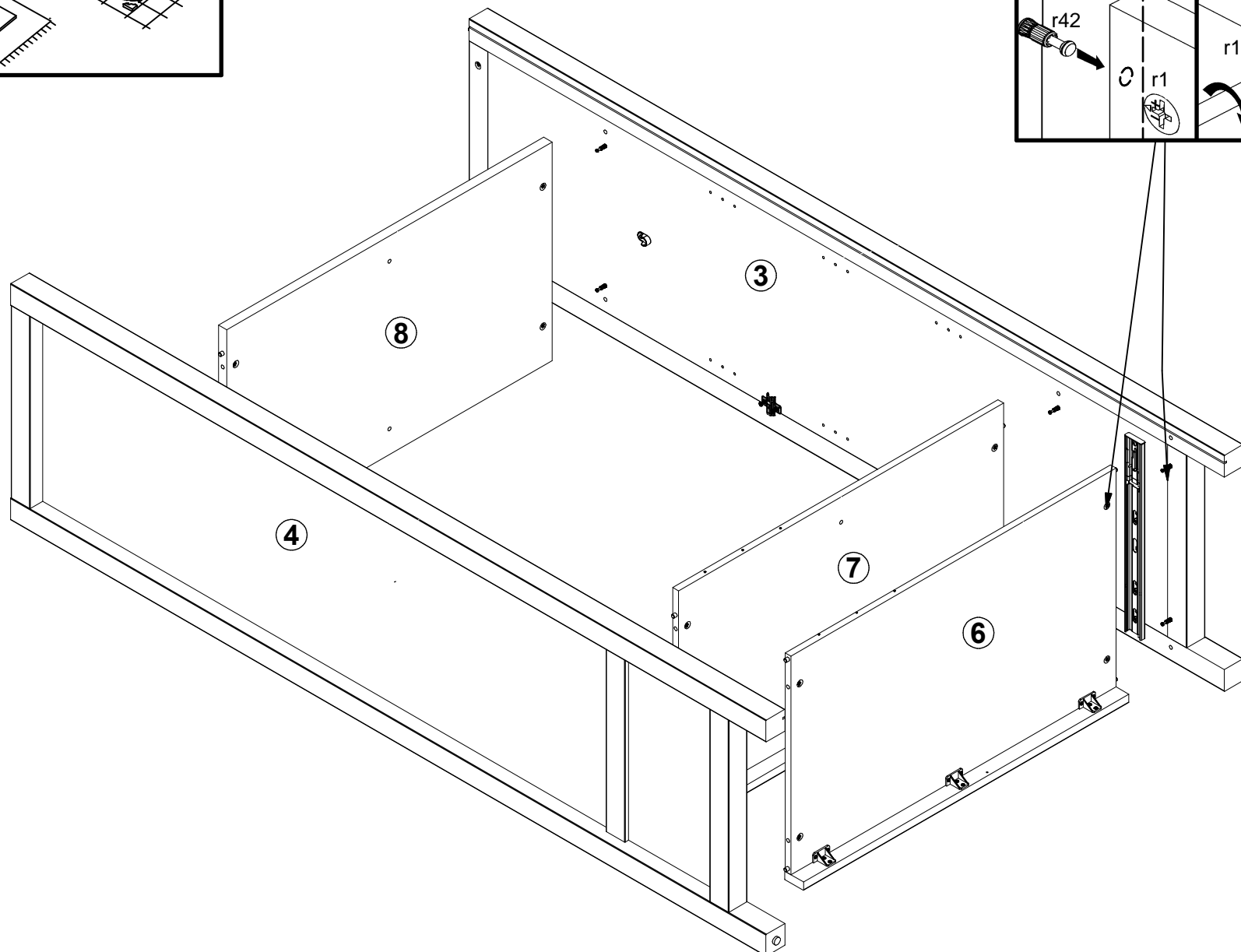


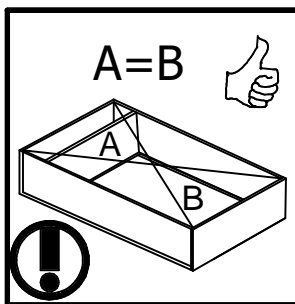


2

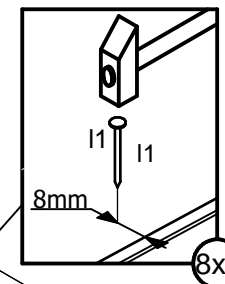
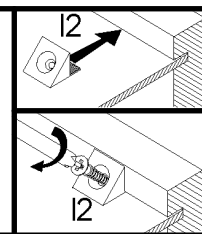
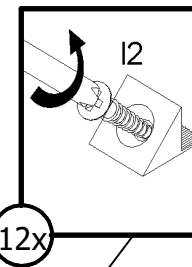
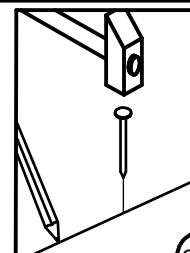


12

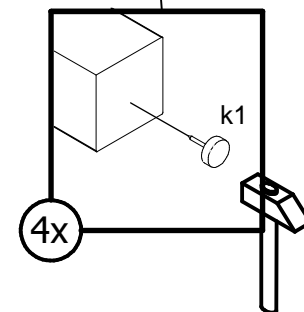
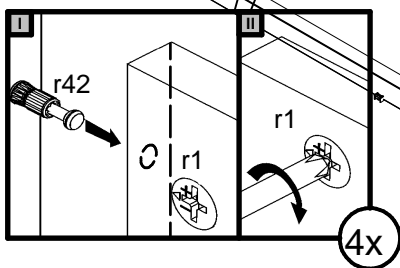
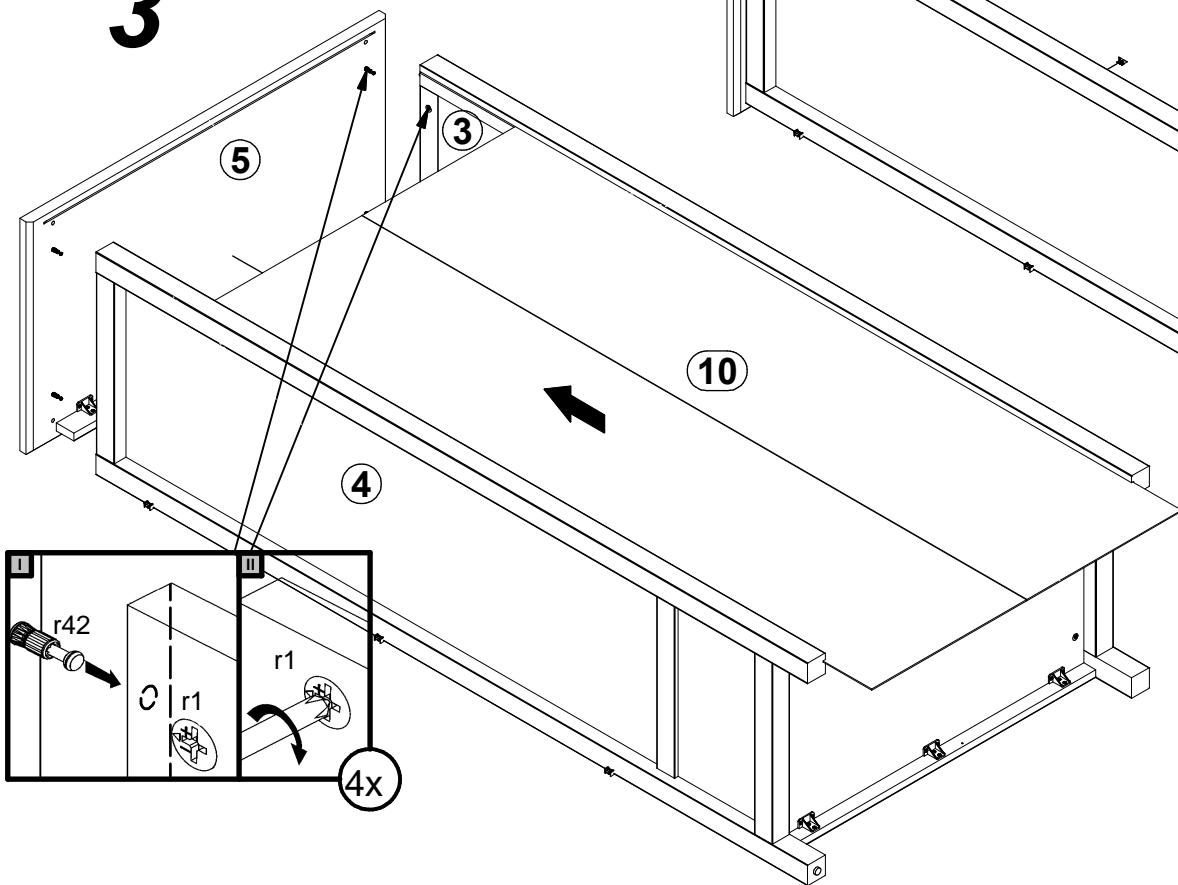




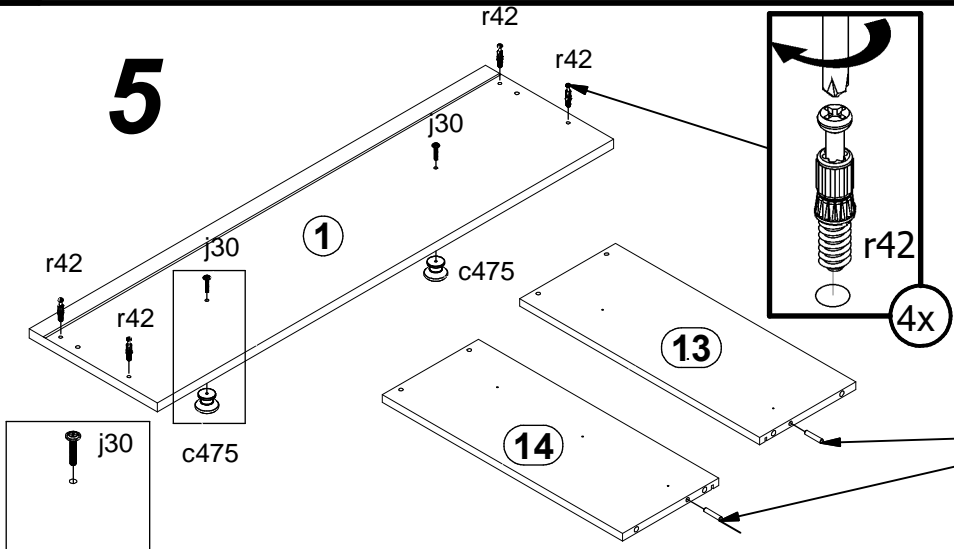
4



3

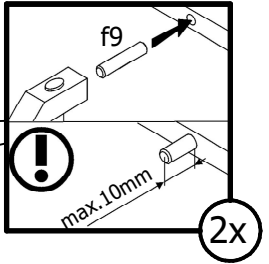


5

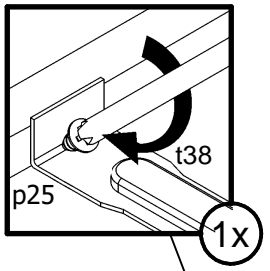
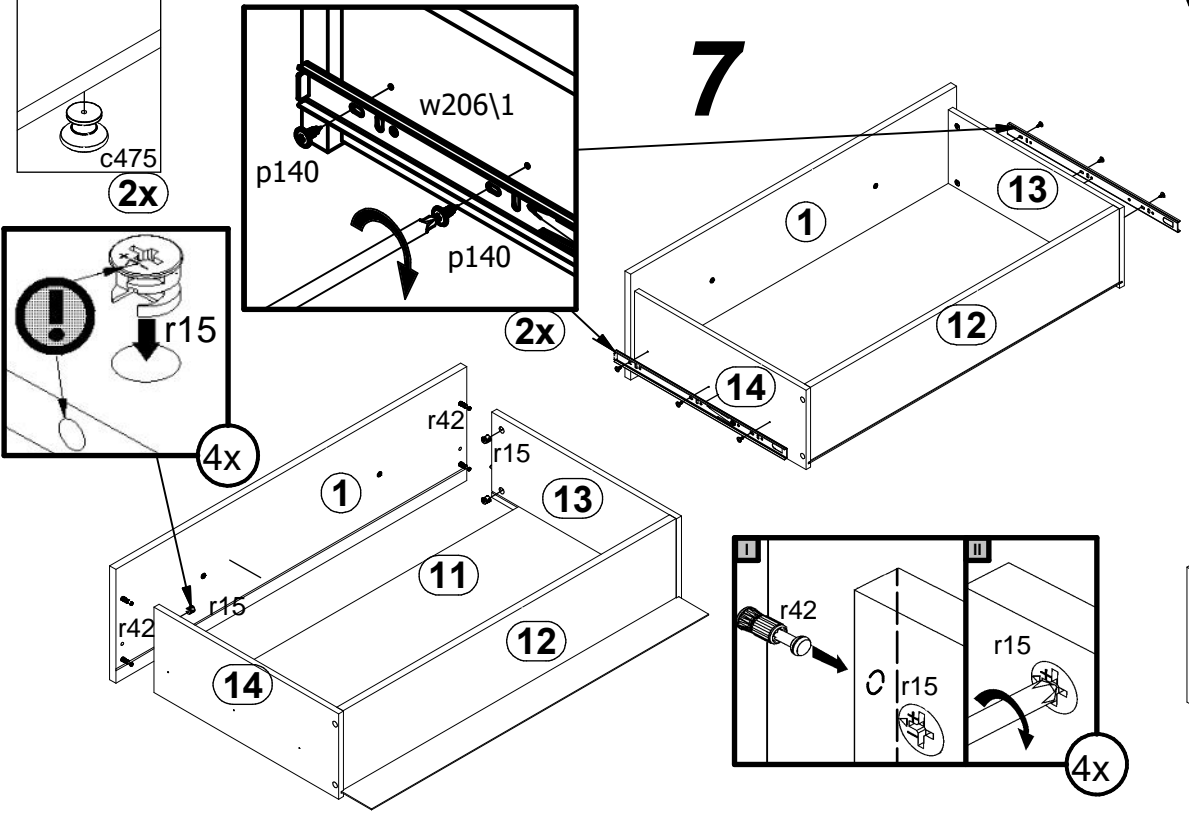


⚠ \$2 ⚠ \$6

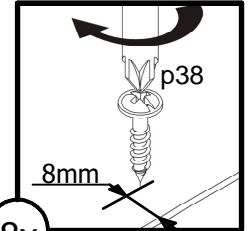
6



7

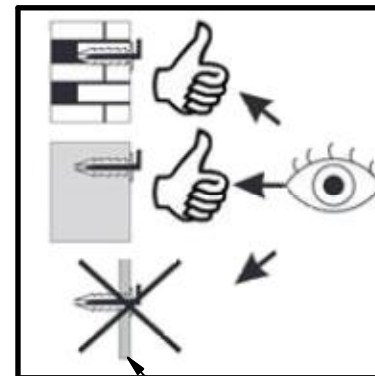
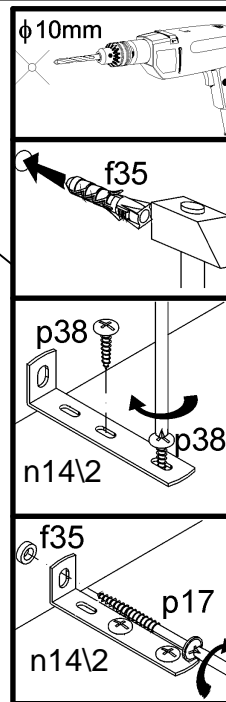
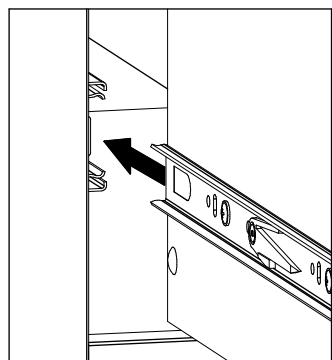
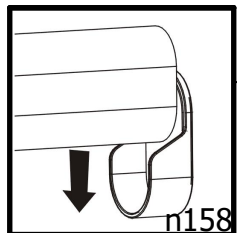
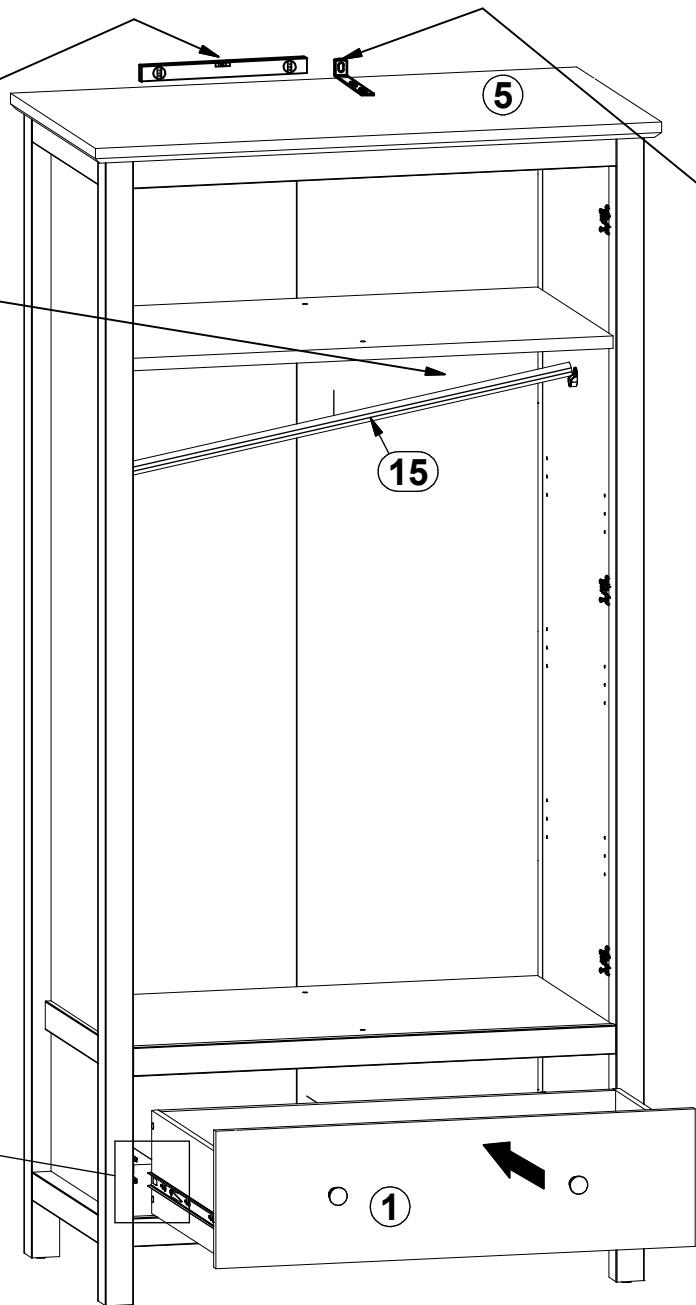




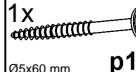

8



1x

9



- 1x  f35  
Ø10x50 mm
- 1x  n14\2  
86x21x151.5
- 1x  p17  
Ø5x60 mm
- 2x  p38  
Ø3.5x16 mm



# 10

