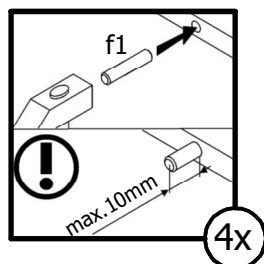
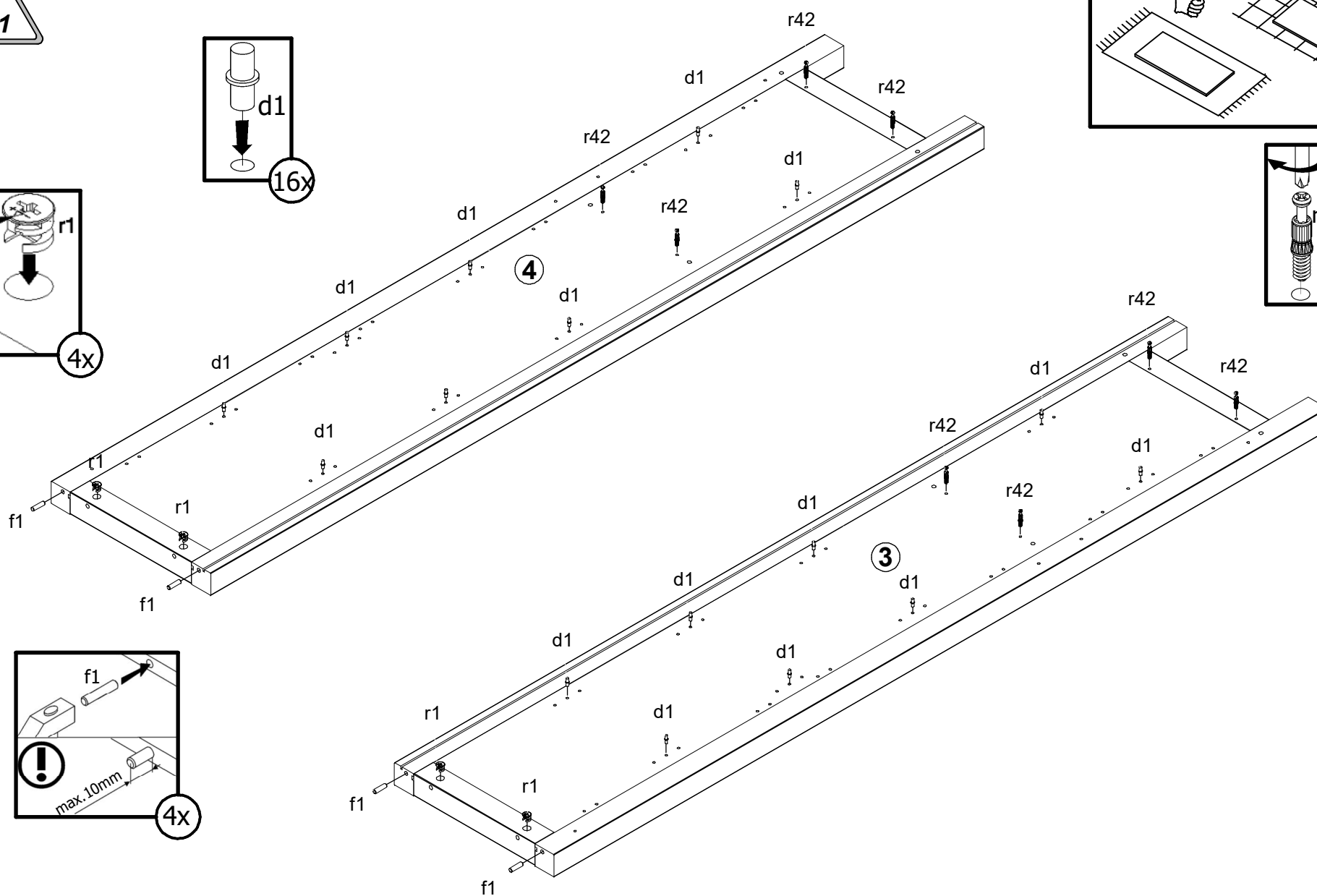
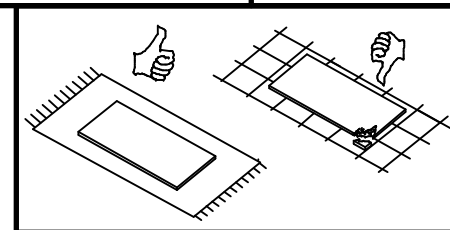
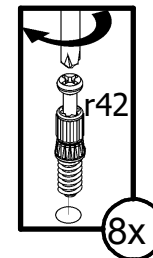
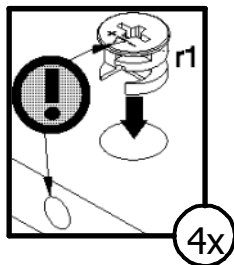
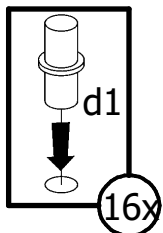


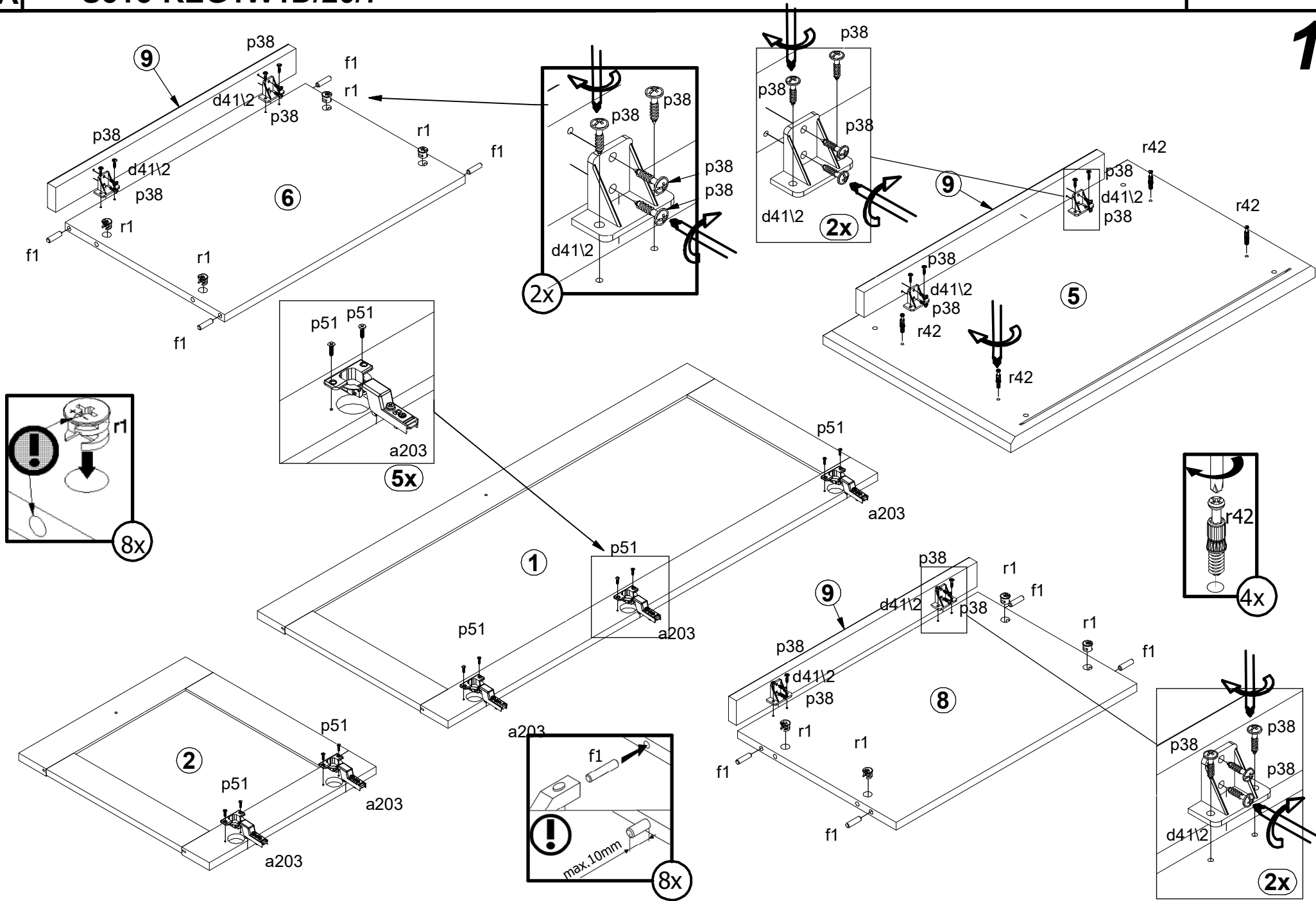
A	B	C1	C2	C3	D
1	S515-0003	1252	555	19	3/3
2	S515-0004	486	555	19	3/3
3	S515-1004	2000	413	50	2/3
4	S515-1005	2000	413	50	2/3
5	S515-2002	710	438	28	1/3
6	S515-3004	561	372	15	1/3
7	S515-3005	560	362	15	1/3
8	S515-3006	561	370	15	1/3
9	S515-5203	561	50	19	3/3
10	S515-9003	1321	571	2,5	3/3
11	S515-9016	548	571	2,5	3/3

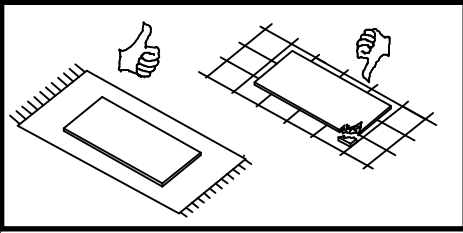
4x 20x13x3,5/1 n108	4x Ø2,9x16 mm p55
4x Ø6,3x15 mm d4	3x d-16 mm o114
1x 6W o60/3 4	1x 6W o60/3 4
5x K16: 635 a203	5x b91
2x c475	2x c475
16x Ø5x17 mm d1	6x d41/2
12x Ø8x30 mm f1	12x Ø8x30 mm f1
2x M4x25 mm j8	4x k1
5x l1	5x l1
11x l2	24x Ø3,5x16 mm p38
10x Ø3,5x15 mm p51	10x Ø3,5x15 mm p51
12x Ø15x12 mm #16 r1	12x 20/11 r42
4x Ø16 s2	4x Ø16 s2
1x Ø10x50 mm f35	1x Ø5x60 mm p17
2x Ø3,5x16 mm p38	2x Ø3,5x16 mm p38
1x 88x21x15/1,5 n14/2	1x 88x21x15/1,5 n14/2



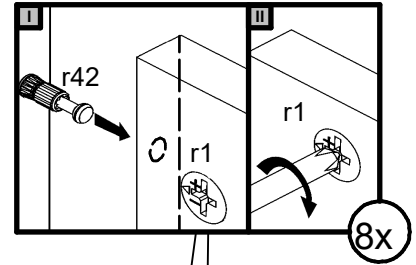
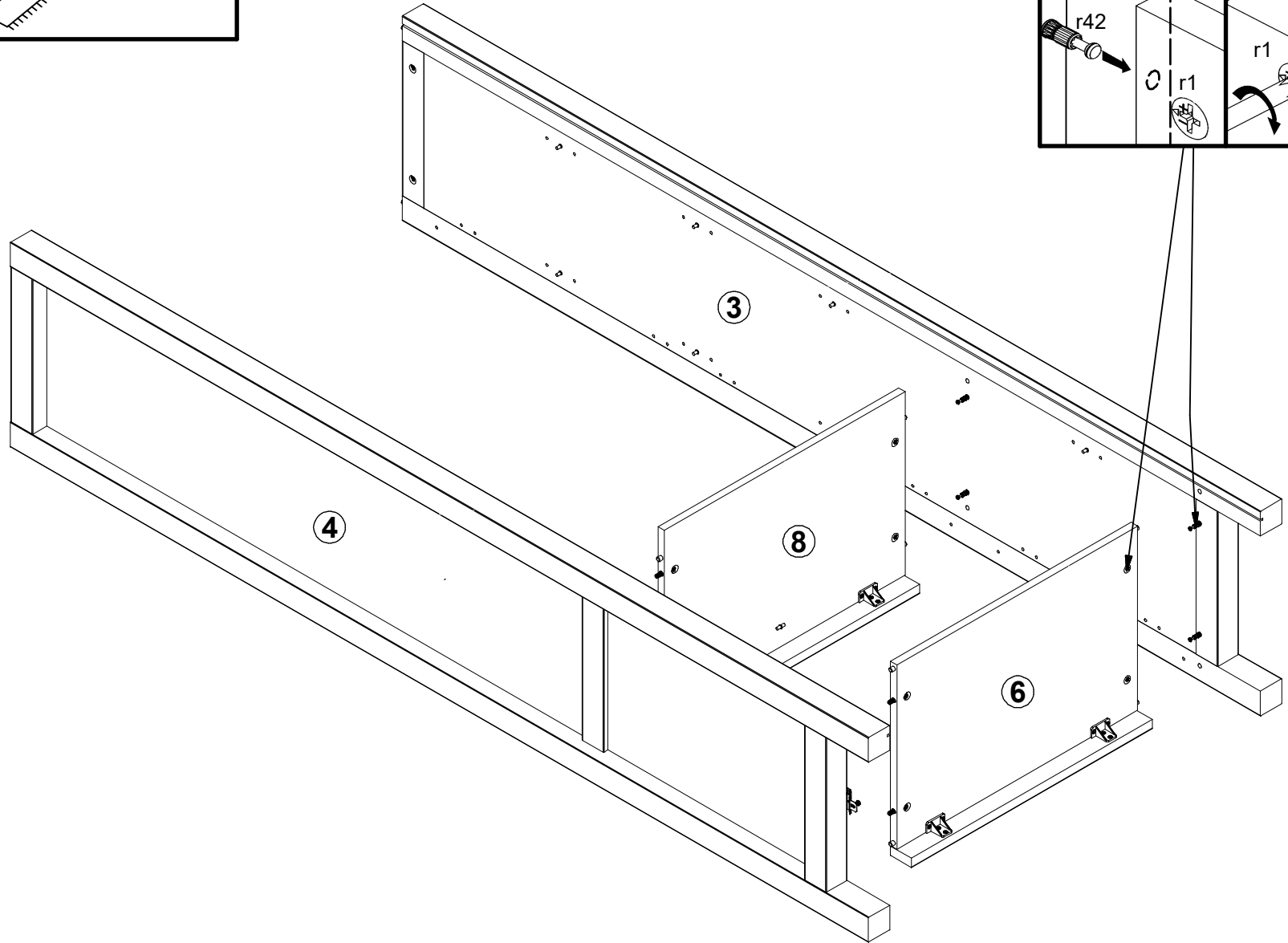
1 §1

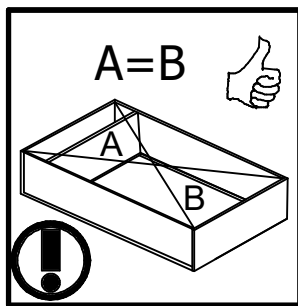






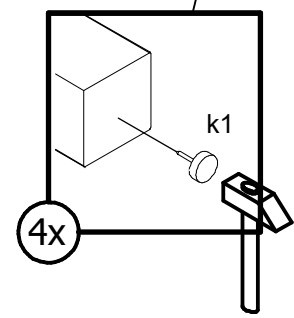
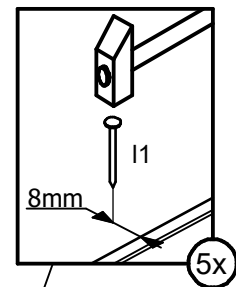
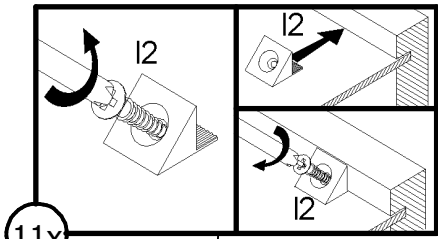
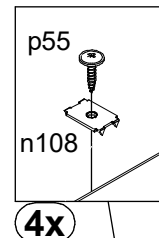
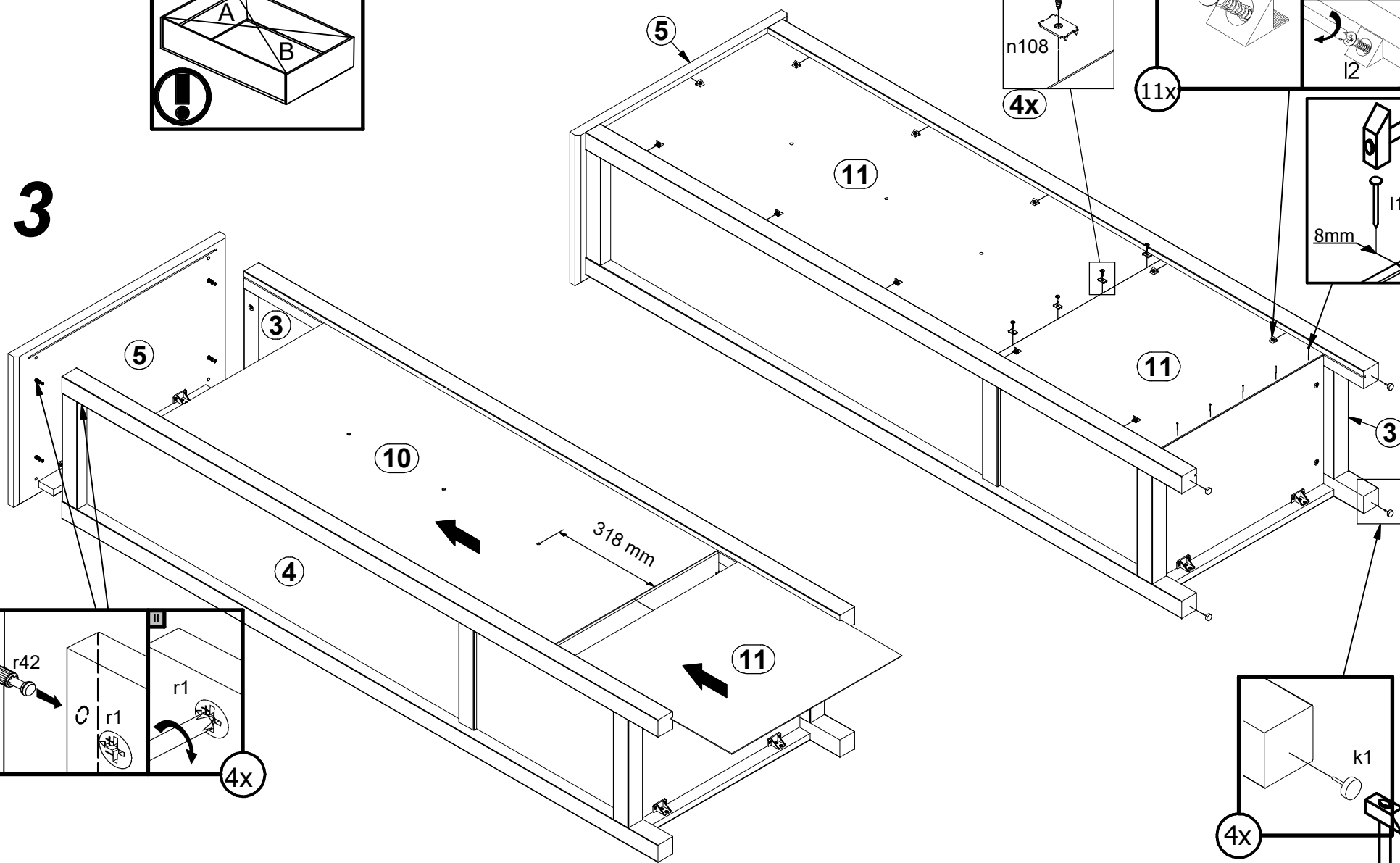
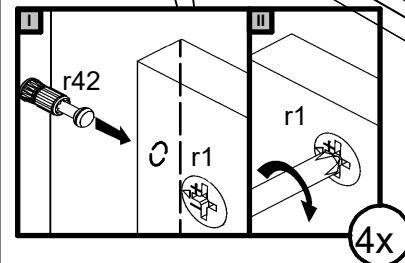
2



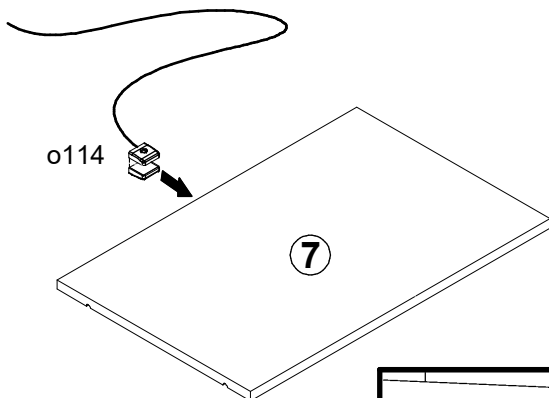
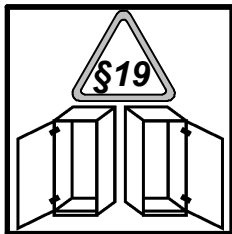


3

4



5



3

5

7

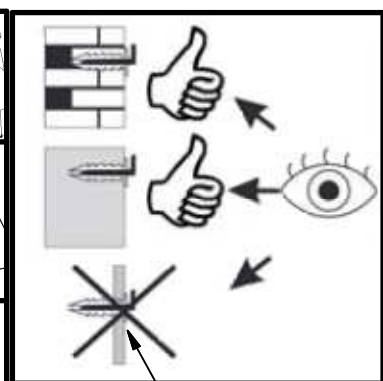
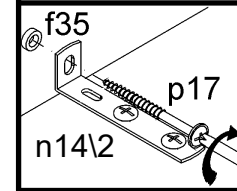
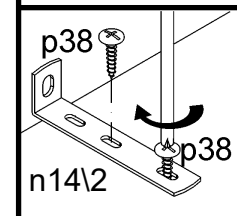
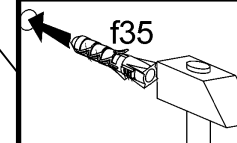
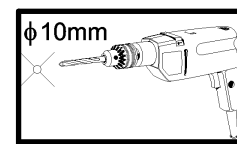
7

7

7

7

4

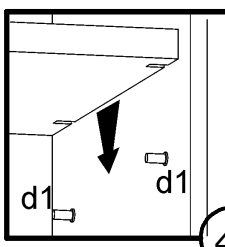
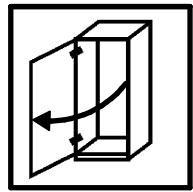


1x
Ø10x50 mm
f35

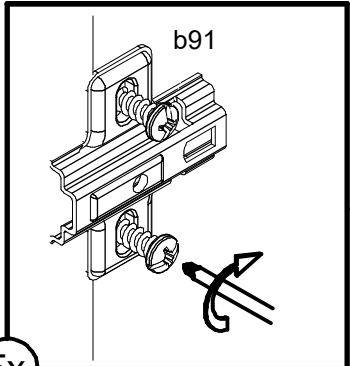
1x
88x21x15/1.5
n14/2

1x
Ø25x60 mm
p17

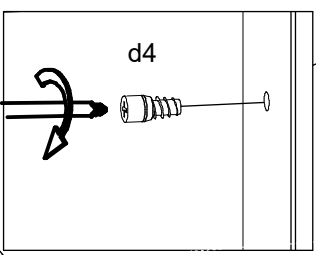
2x
Ø3.5x16 mm
p38



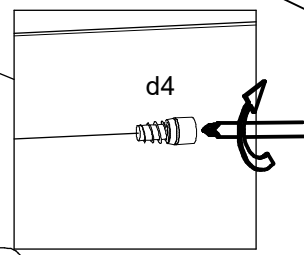
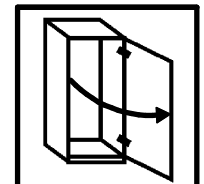
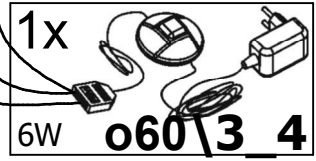
4x



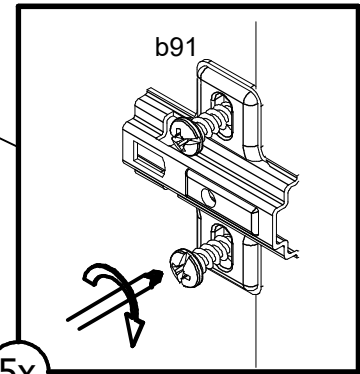
5x



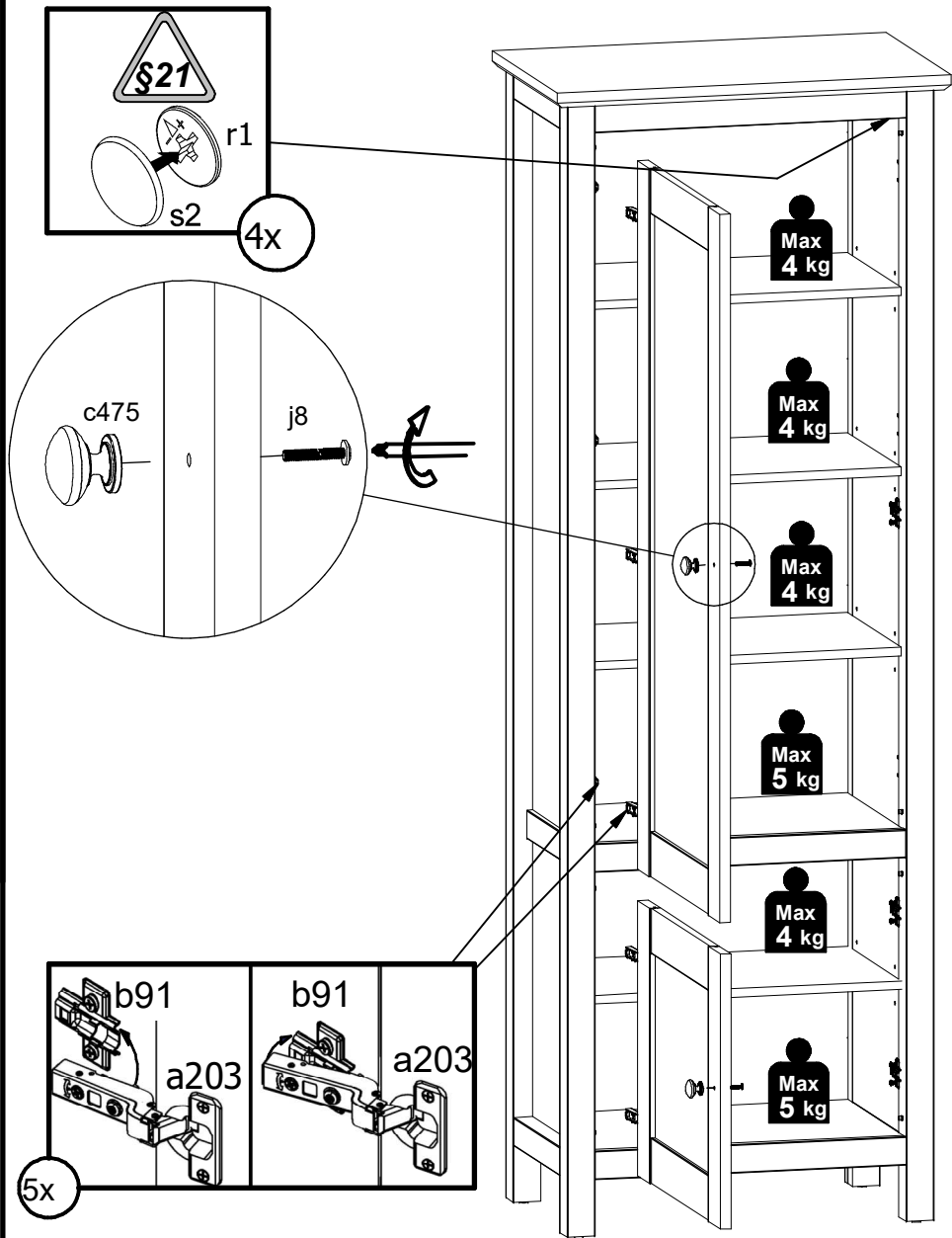
4x



4x



5x



6

