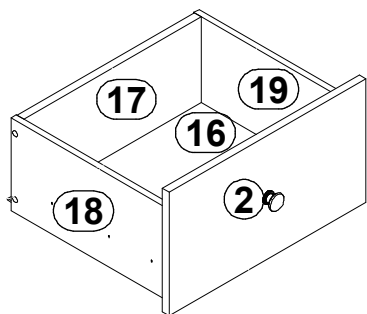


A	B1	B2	C1	C2	C3	D
1	S503-5005	-	134	50	50	2/3
2	S515-0002	-	442	240	15	1/3
3	S515-0015	-	728	442	19	1/3
4	S515-1025	A	935	413	50	2/3
5	S515-1026	A	935	413	50	2/3
6	S515-1027	A	786	390	15	2/3
7	S515-1029	A	786	390	15	2/3
8	S515-1030	A	786	390	15	2/3
9	S515-2010	A	1986	438	28	3/3
10	S515-3021	A	1837	372	15	3/3
11	S515-3003	A	447	362	15	1/3
12	S515-5208	-	1837	50	19	3/3
13	S515-9010	-	804	460	2,5	1/3
14	S515-9011	-	804	460	2,5	1/3
15	S515-9012	-	804	463	2,5	1/3
16	WSP-9329	-	408	358	2,5	1/3
17	ZK3-5060	-	398	167	15	1/3
18	ZK4-503	-	350	180	12	1/3
19	ZK4-504	-	350	180	12	1/3

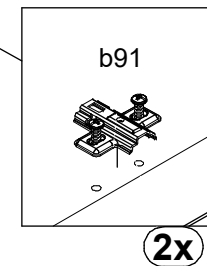
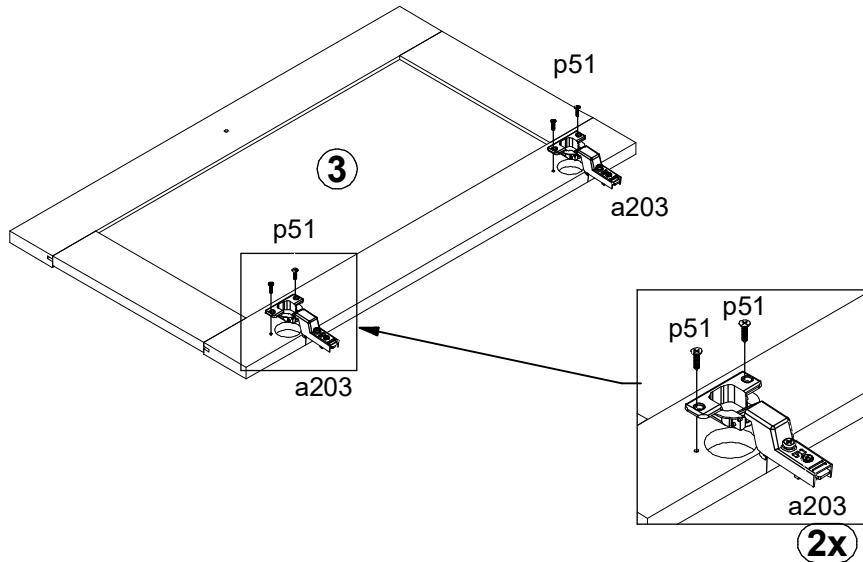
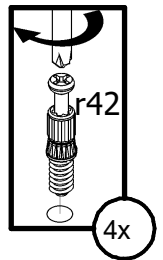
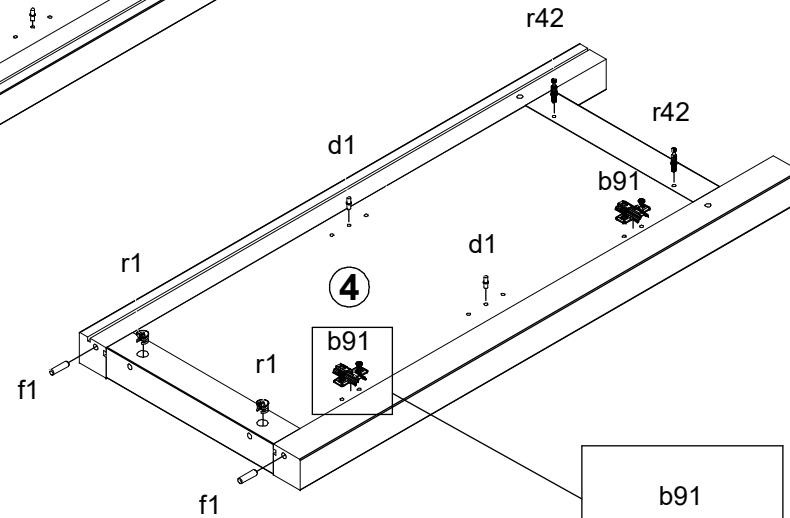
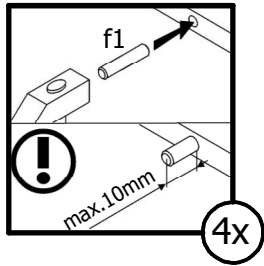
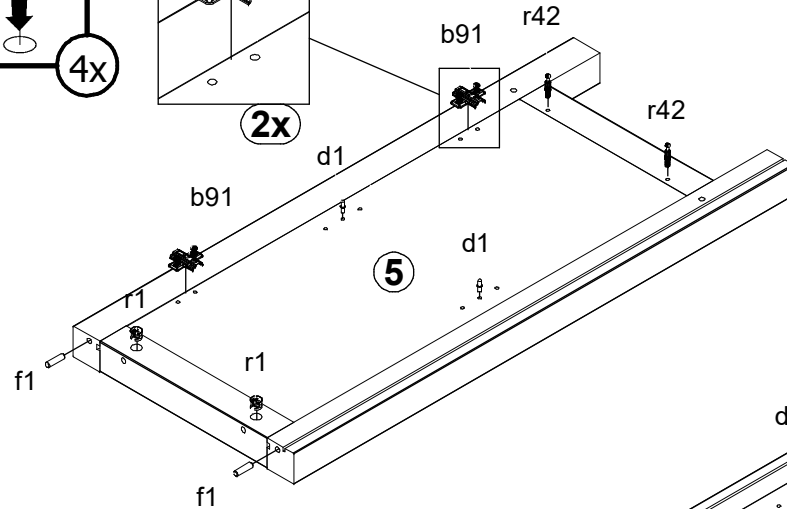
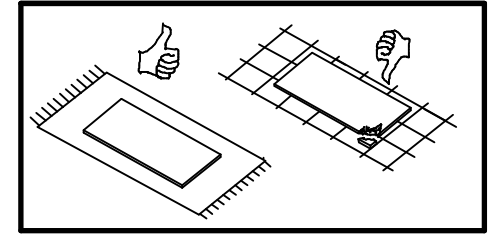
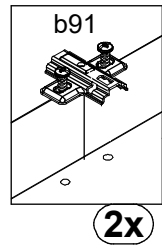
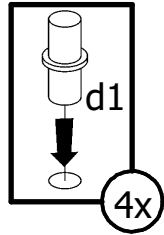
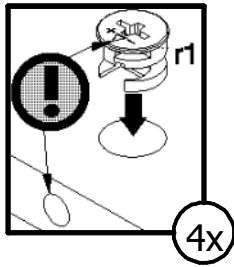
3x

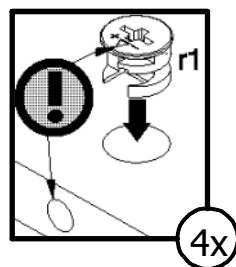
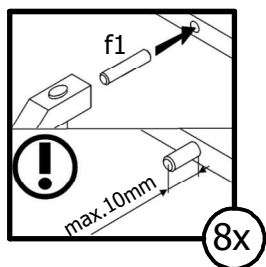
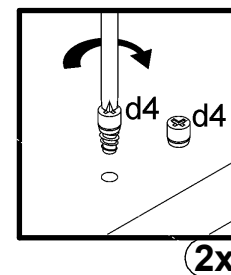
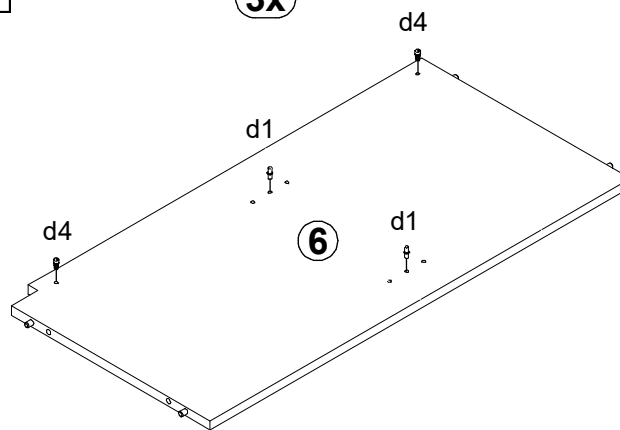
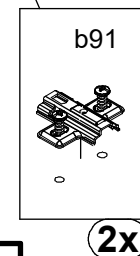
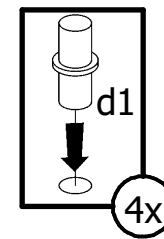
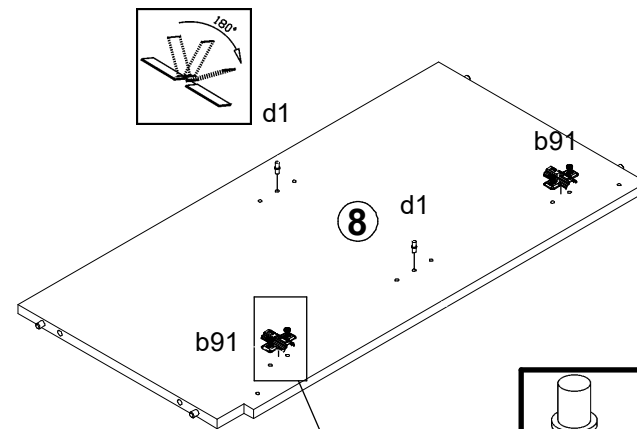
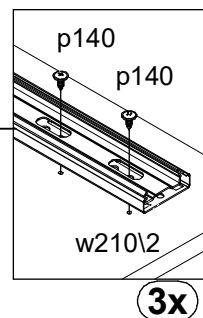
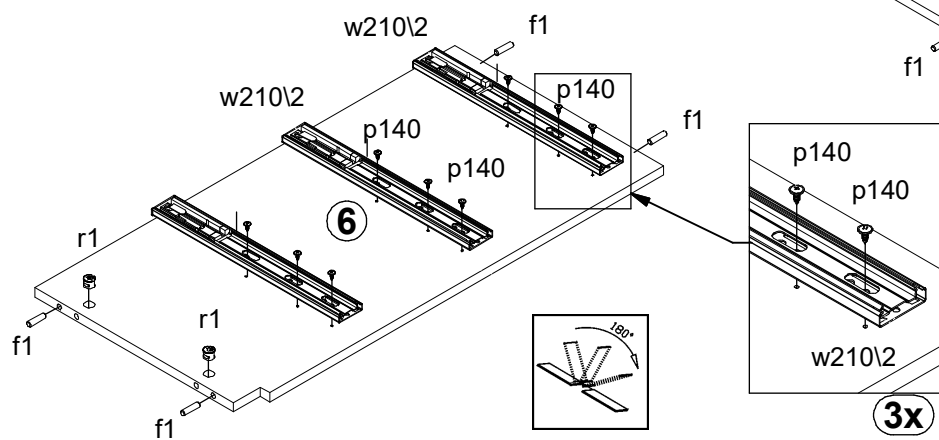
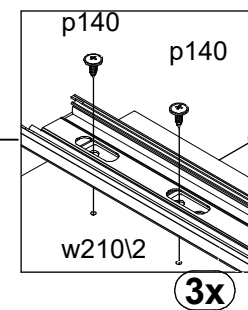
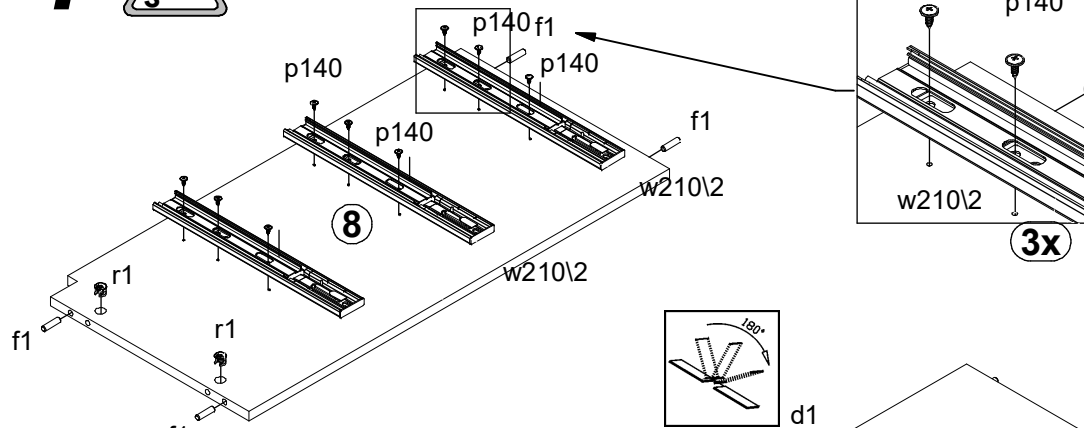
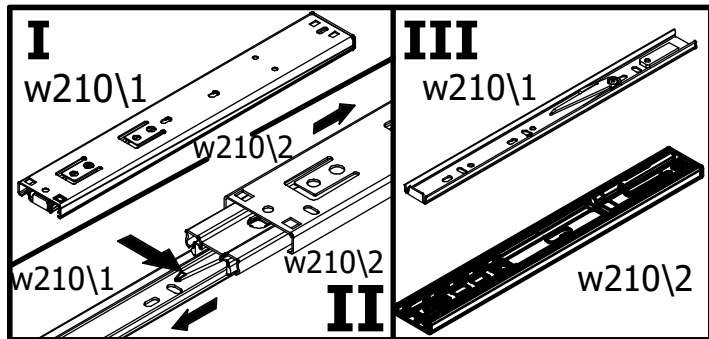


1x z1	12x z1 Ø2,9x16 mm	12x n108 20x13x3,5	8x d41/2
6x b91 K16; Ø15	6x a203 M4x25 mm	3x j8	6x k1
3x j30 M4x22 mm	12x d1 Ø5x17 mm	6x c475	8x l2
6x w210/1 L=350 mm	6x d4 Ø6,3x15 mm	8x e1 Ø7x50 mm	14x r1 Ø15x12 mm #16
6x w210/2	6x f9 Ø6x30 mm	12x f25 Ø6,5x40 mm	12x r15 Ø12x10,5 mm #12
1x s1	6x f1 Ø8x30 mm	12x f25 Ø6,5x40 mm	12x r15 Ø12x10,5 mm #12
	2x f35 Ø10x50 mm	2x p17 Ø5x60 mm	4x p38 Ø3,5x16 mm
			2x n14/2 88x21x15/1,5

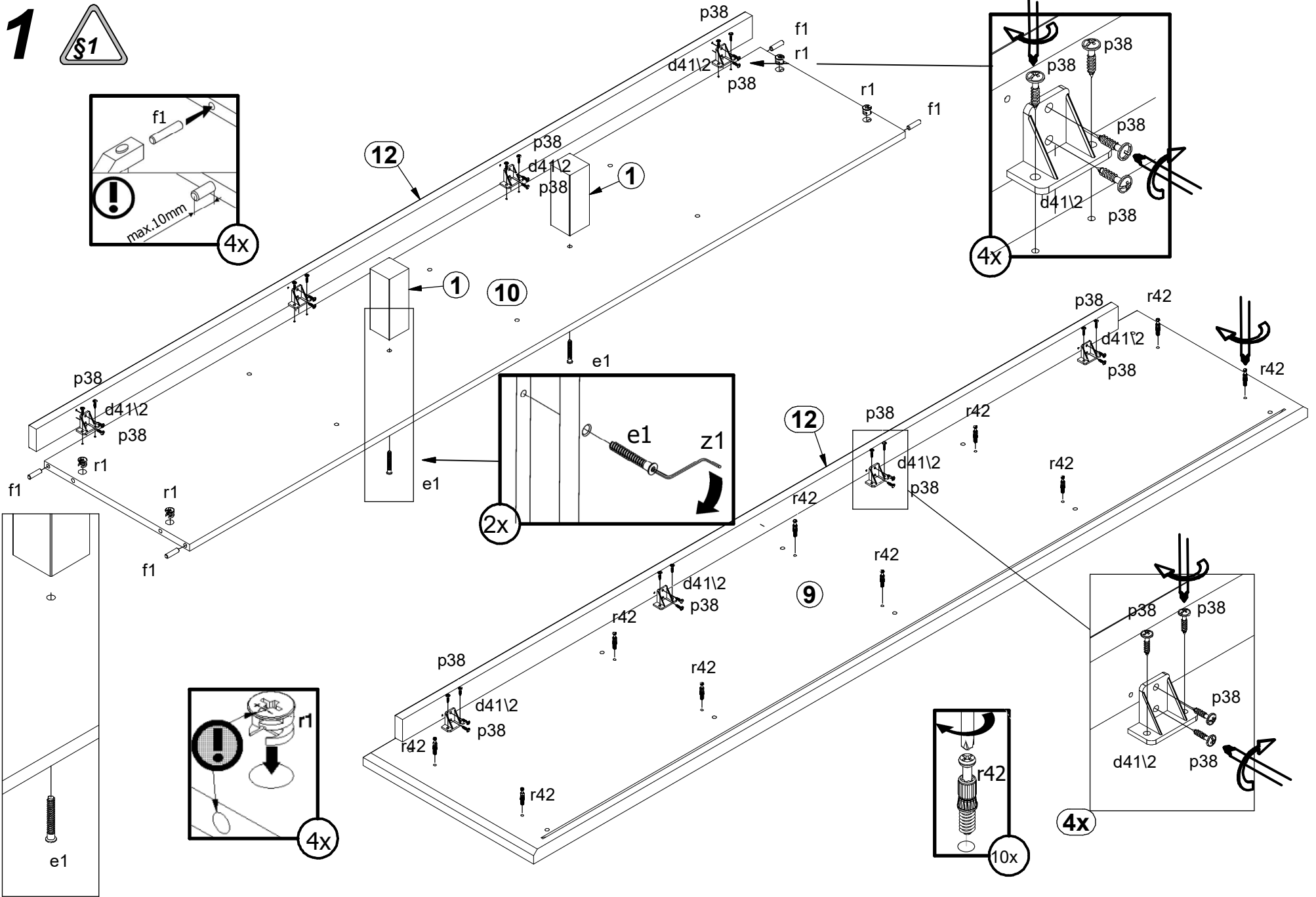
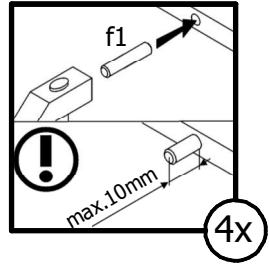


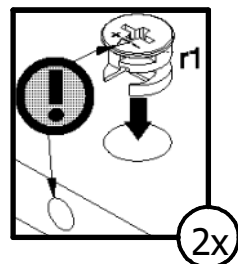
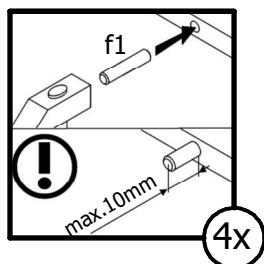
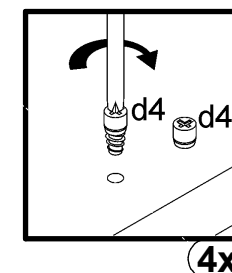
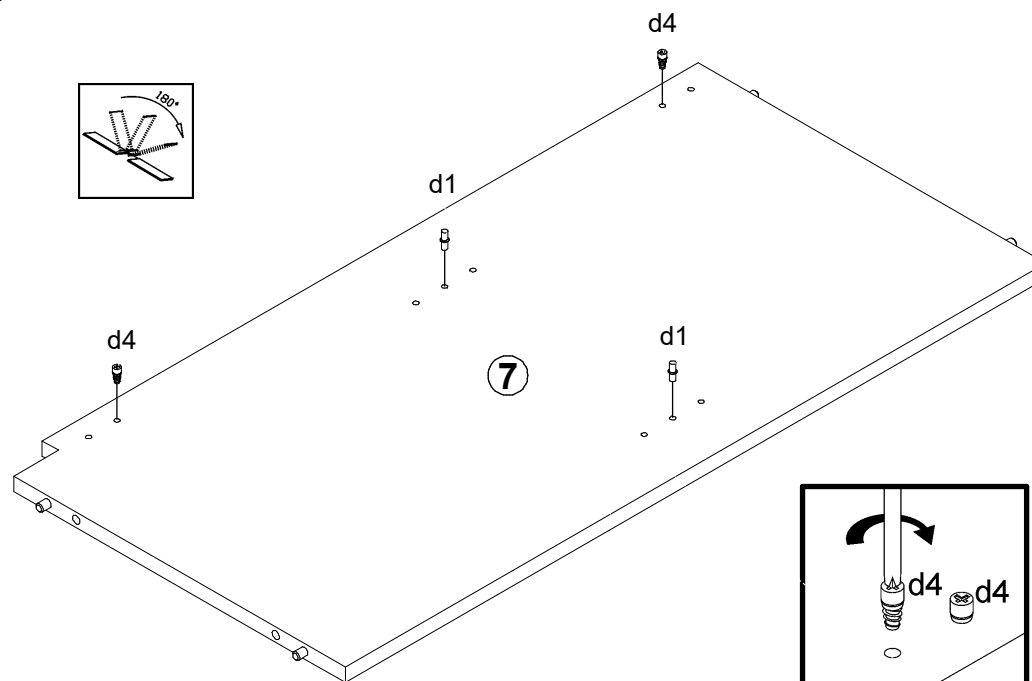
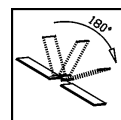
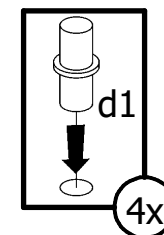
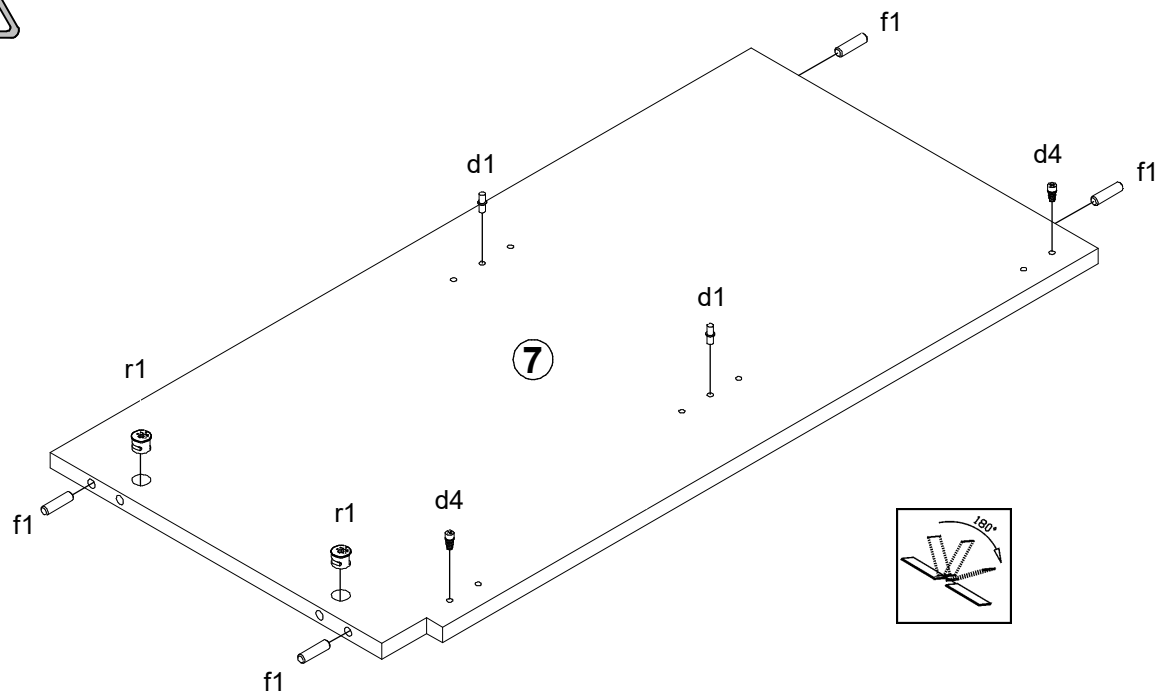
1 §1

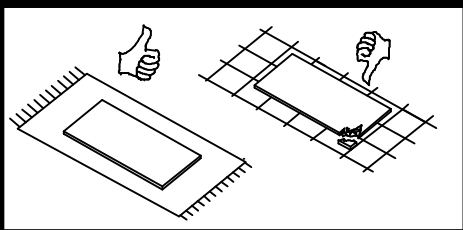




1

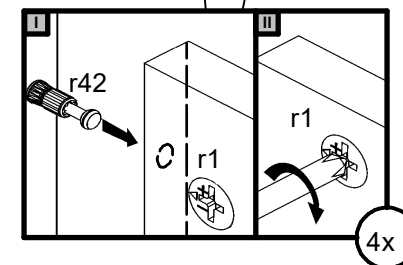
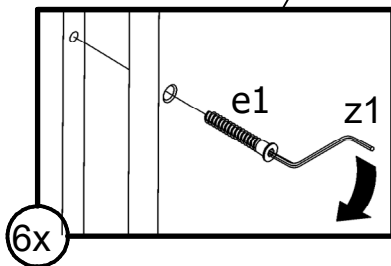
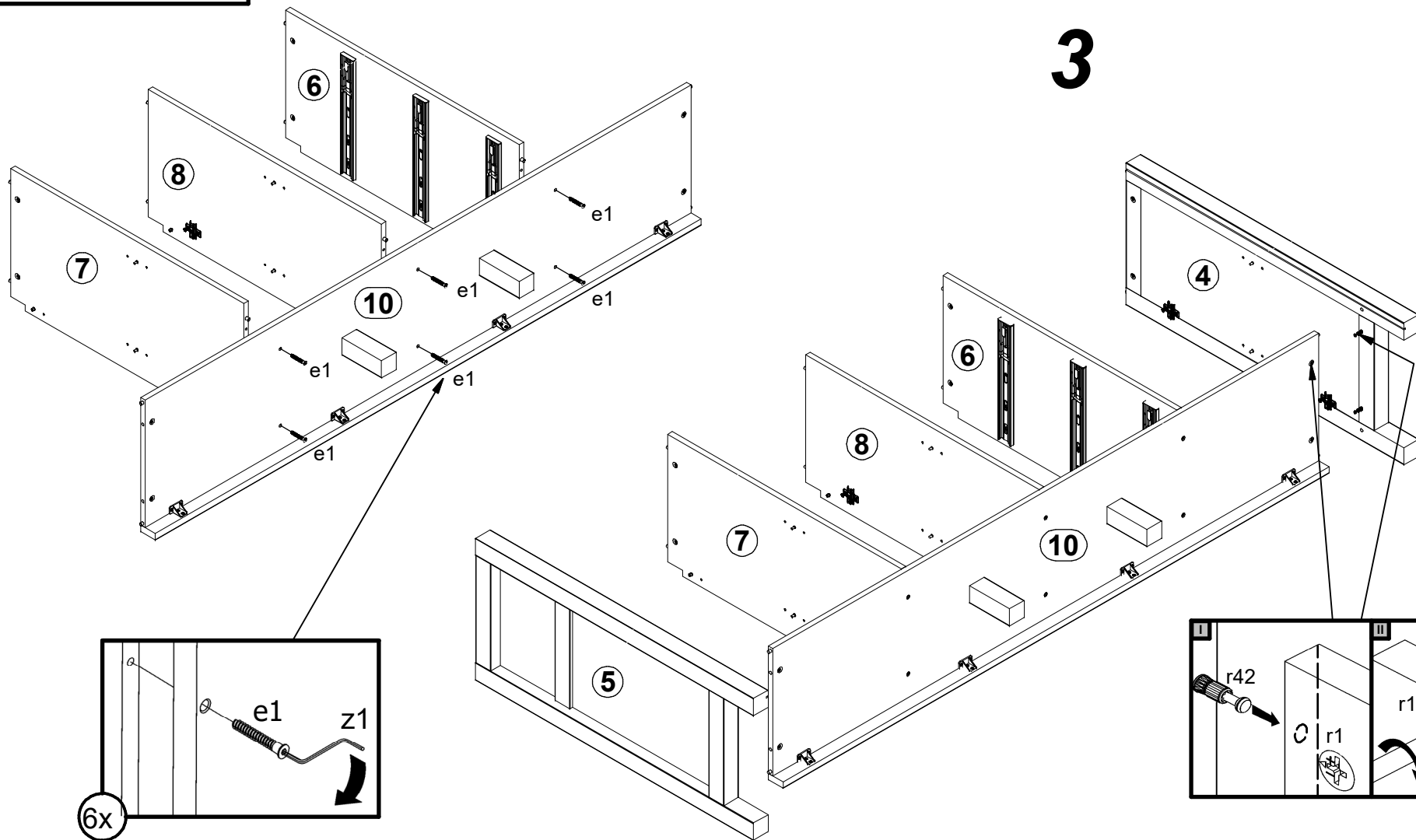






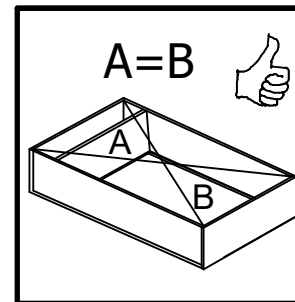
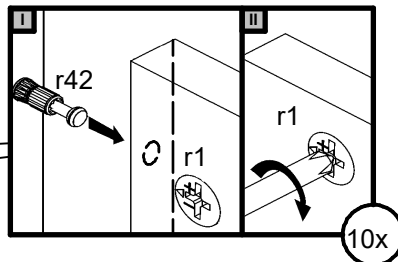
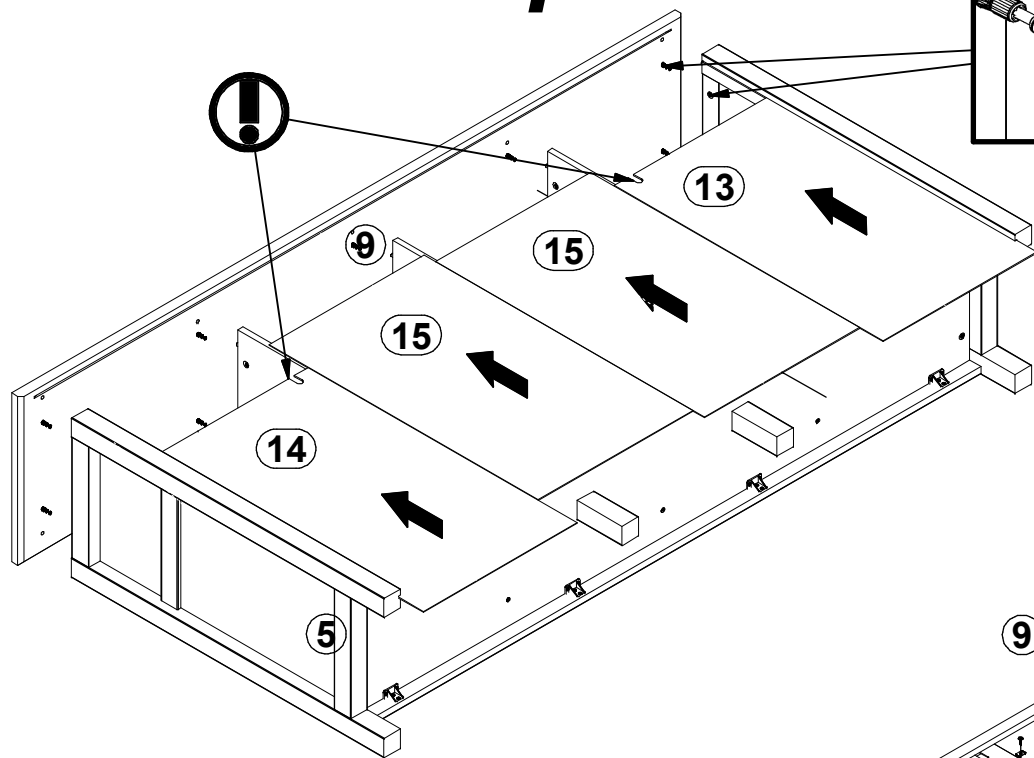
2

3

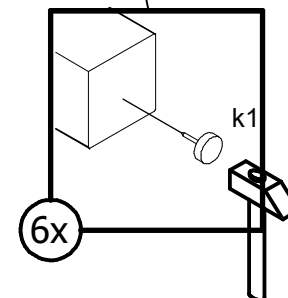
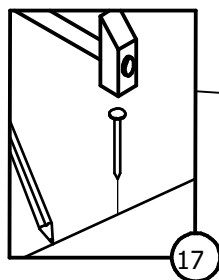
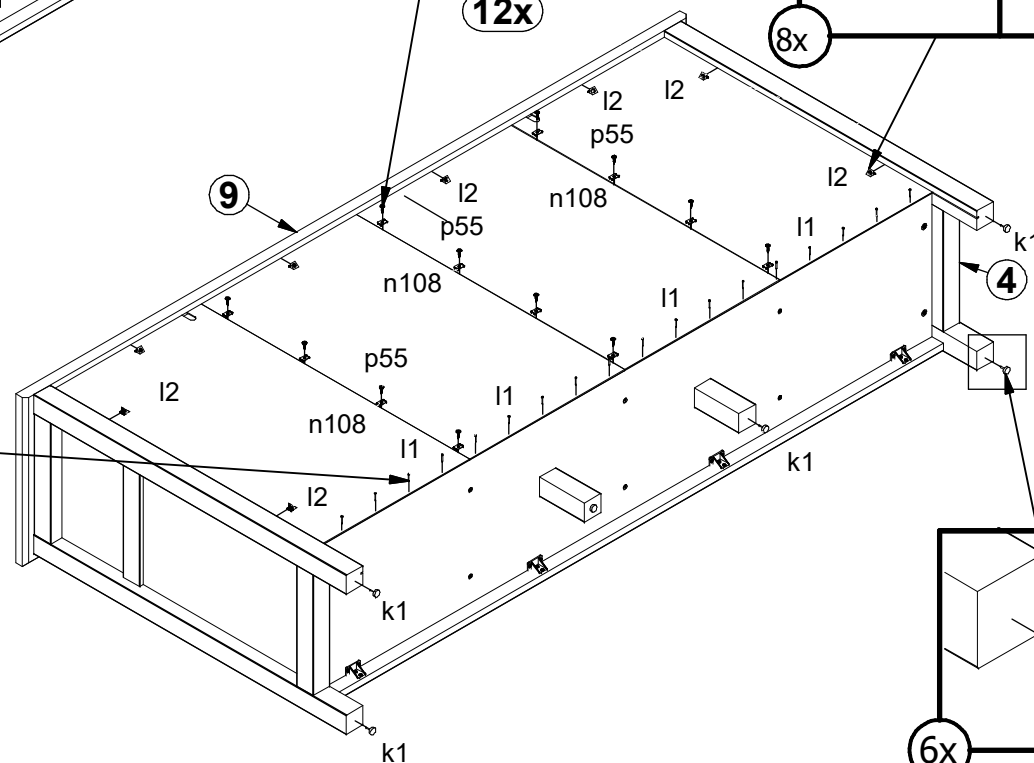
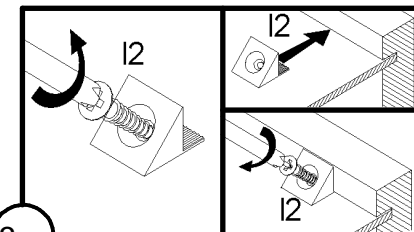
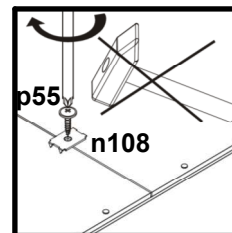




4

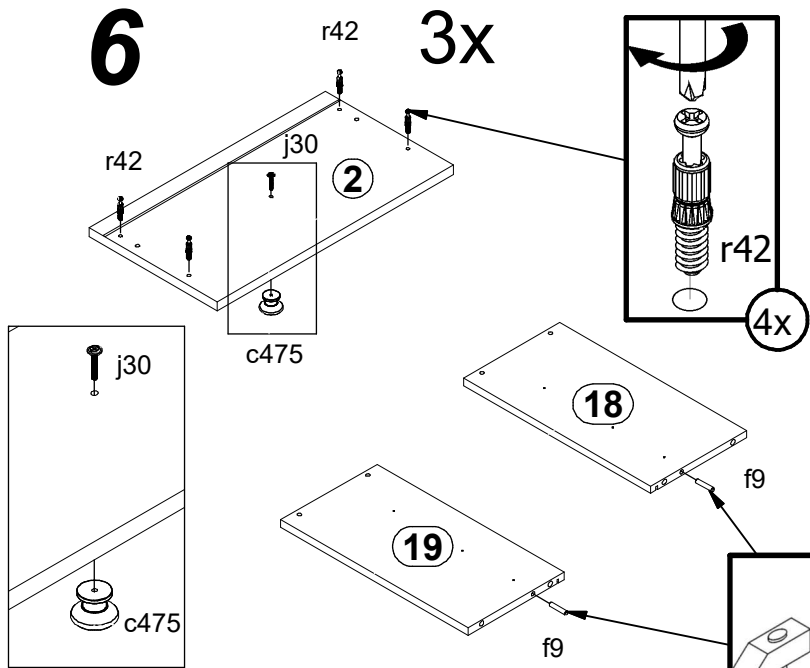


5



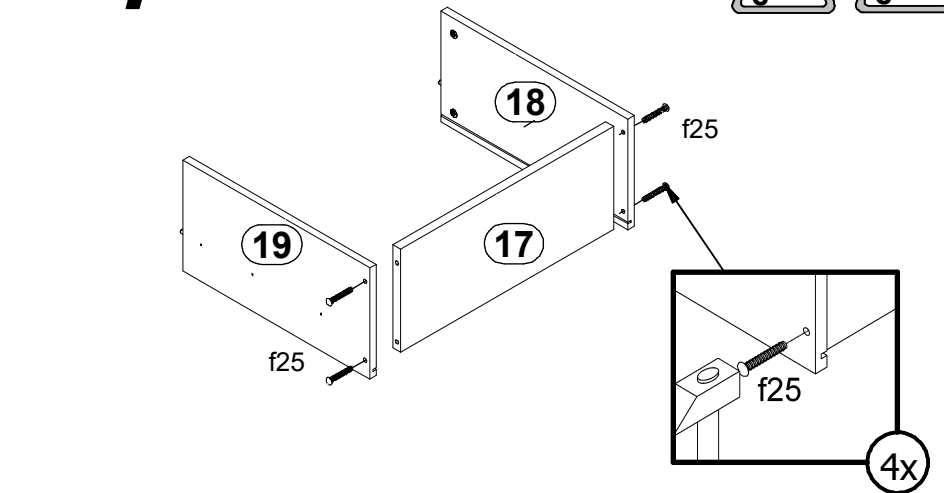
6

3x



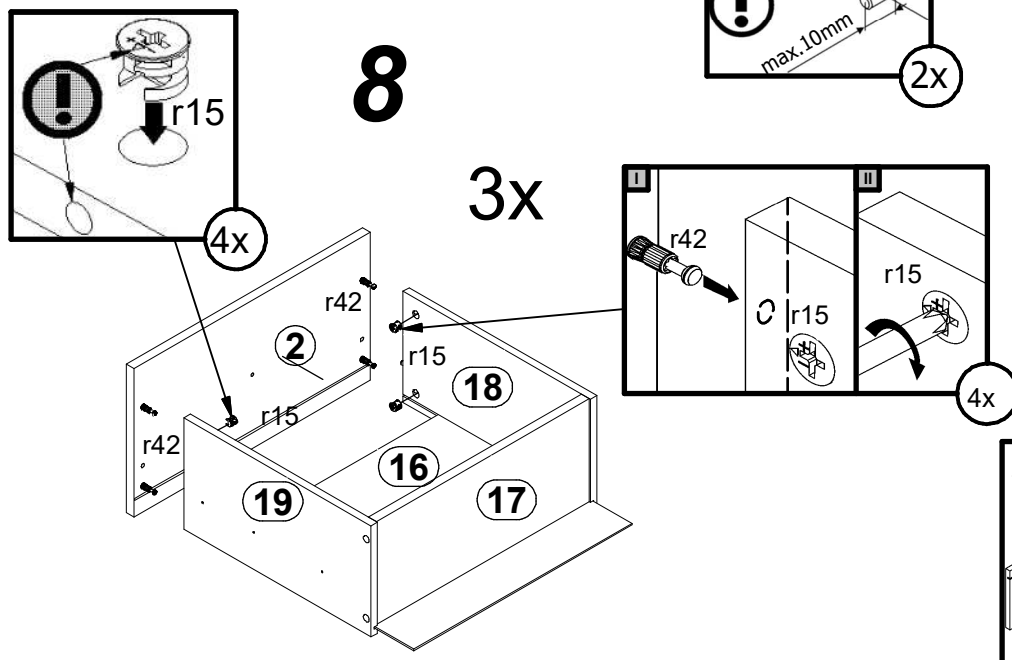
7

3x



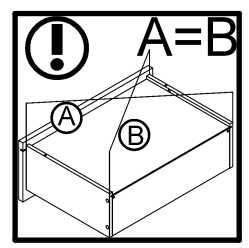
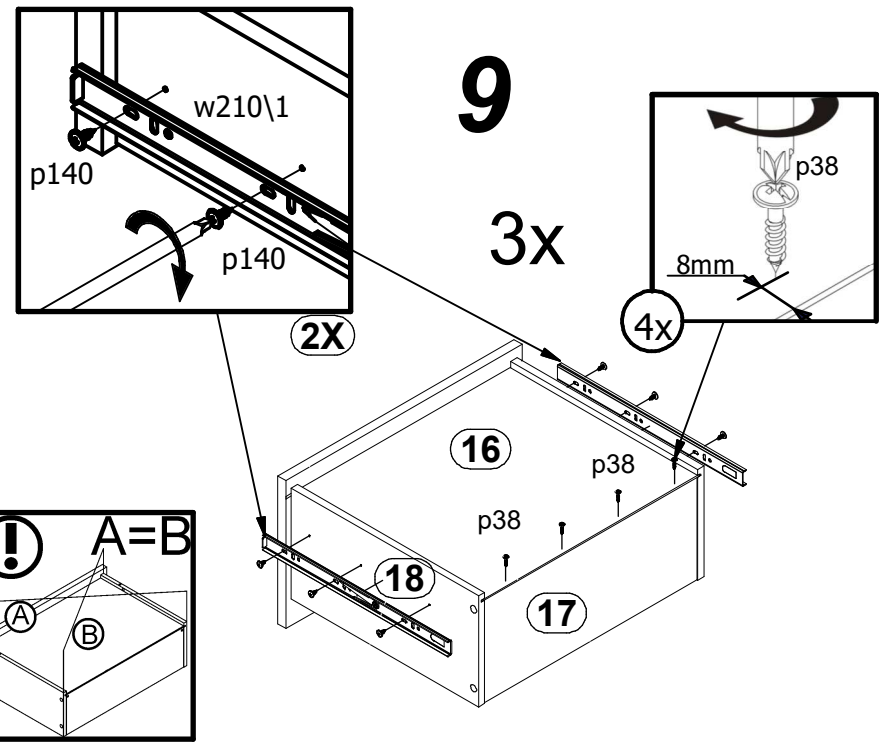
8

3x

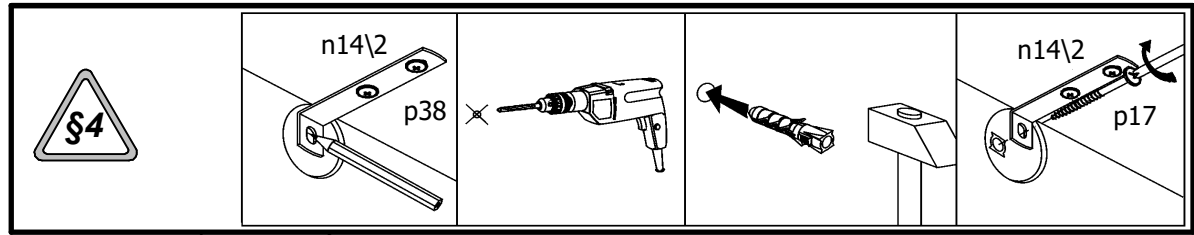


9

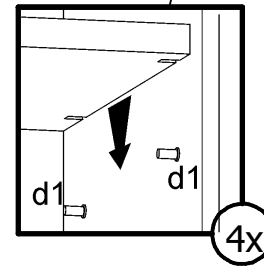
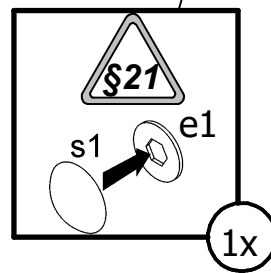
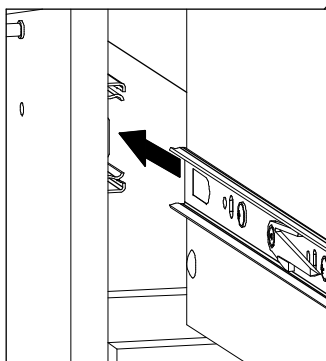
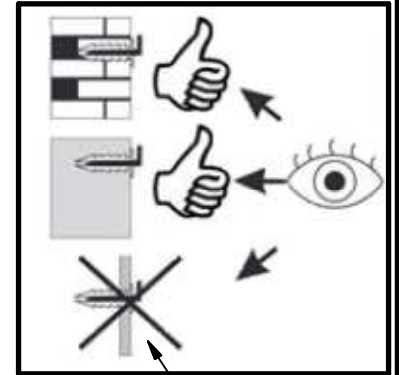
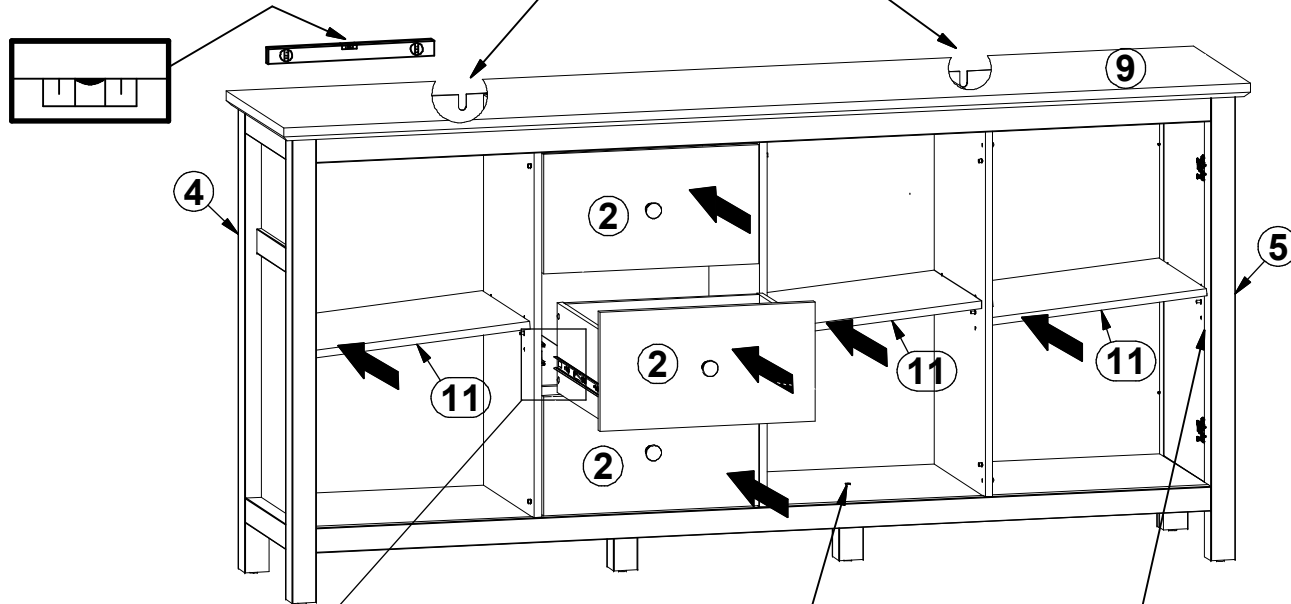
3x



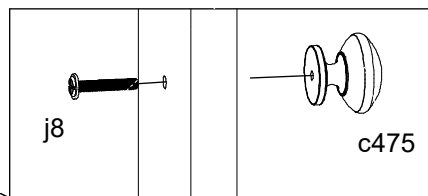
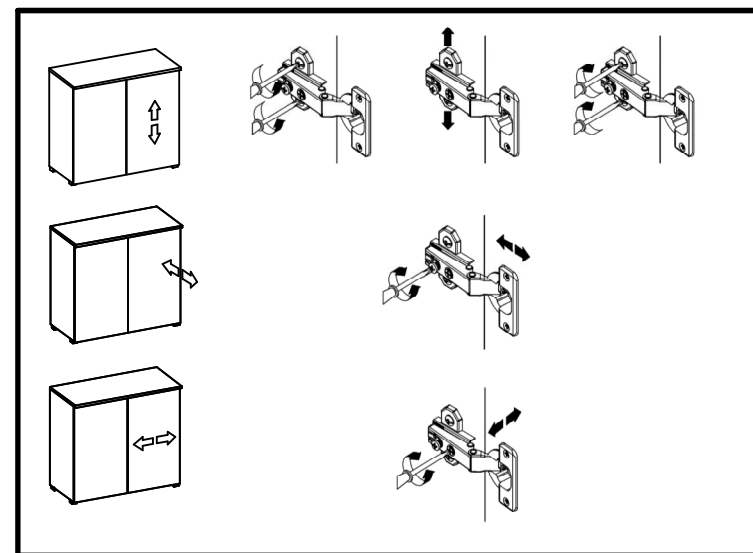
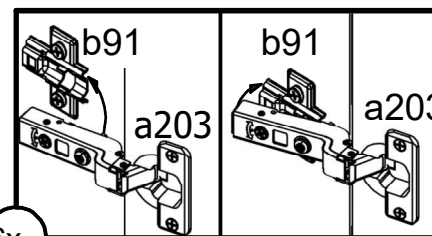
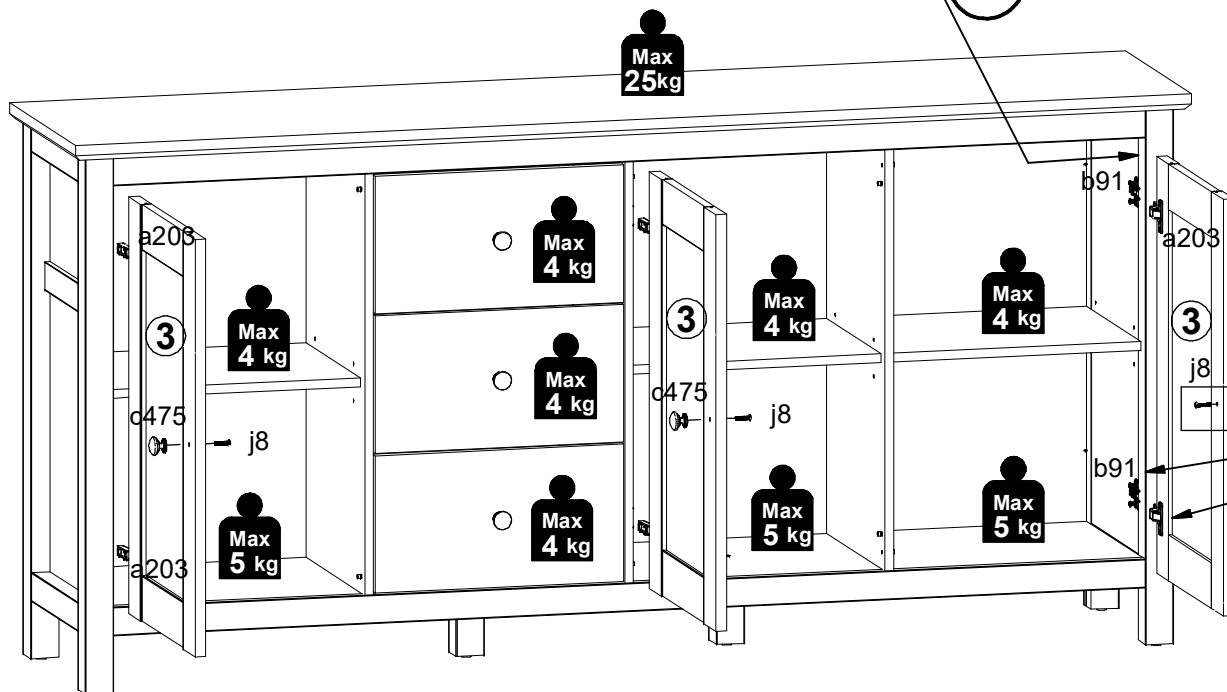
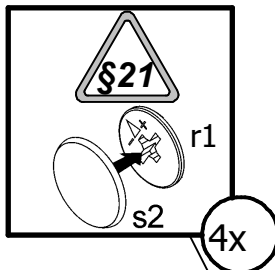
10



- 2x f35
Ø10x50 mm
- 2x n14\2
88x21x15/1.5
- 2x p17
Ø5x60 mm
- 4x p38
Ø3.5x16 mm



11



3x