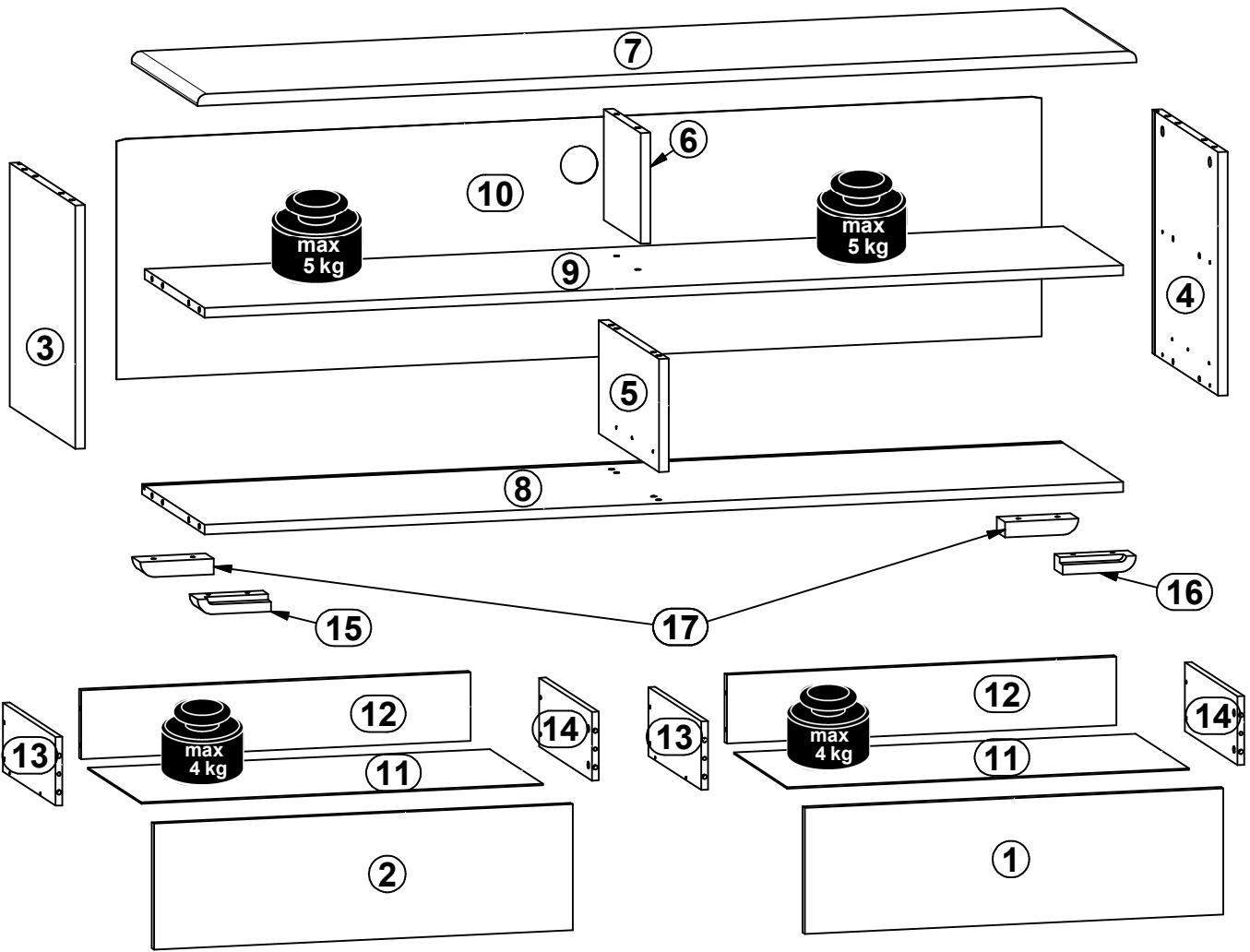
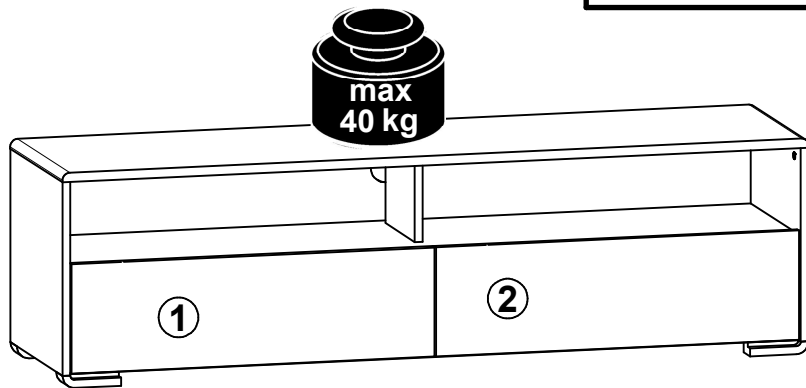
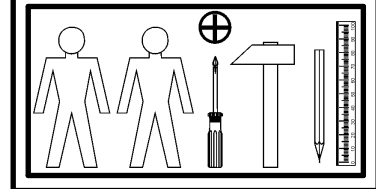
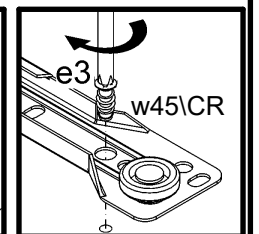
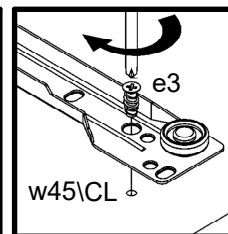
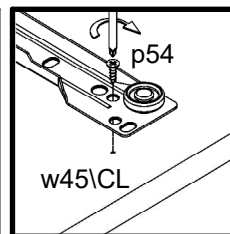
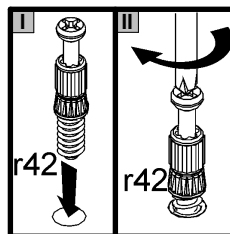
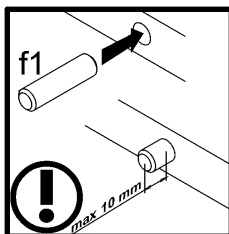
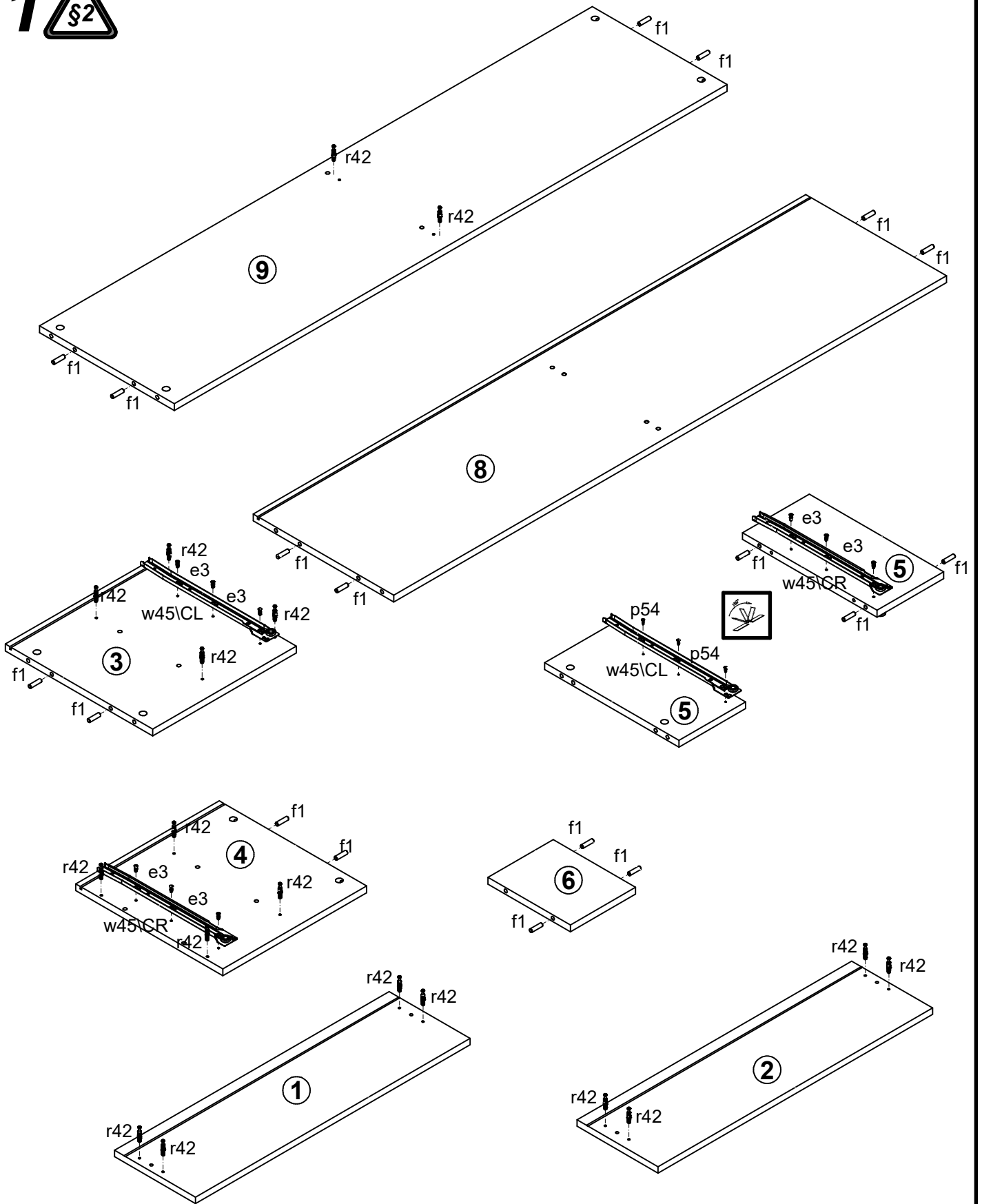


A	B	C	D	
1	S400-0009	746	220	1/2
2	S400-0010	746	220	1/2
3	S400-1007	390	400	1/2
4	S400-1008	390	400	1/2
5	S400-1009	365	181	1/2
6	S400-1010	177	224	1/2
7	S400-2003	1534	401	2/2
8	S400-3008	1501	382	1/2
9	S400-3009	1501	366	1/2
10	S400-9002	1511	384	1/2
11	S400-9003	716	355	1/2
12	ZS3-5629	694	120	1/2
13	ZS4-501	350	120	1/2
14	ZS4-502	350	120	1/2
15	S332-5001	120	50	1/2
16	S332-5002	120	50	1/2
17	S332-5003	120	50	1/2

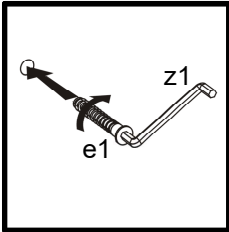
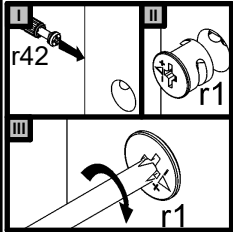
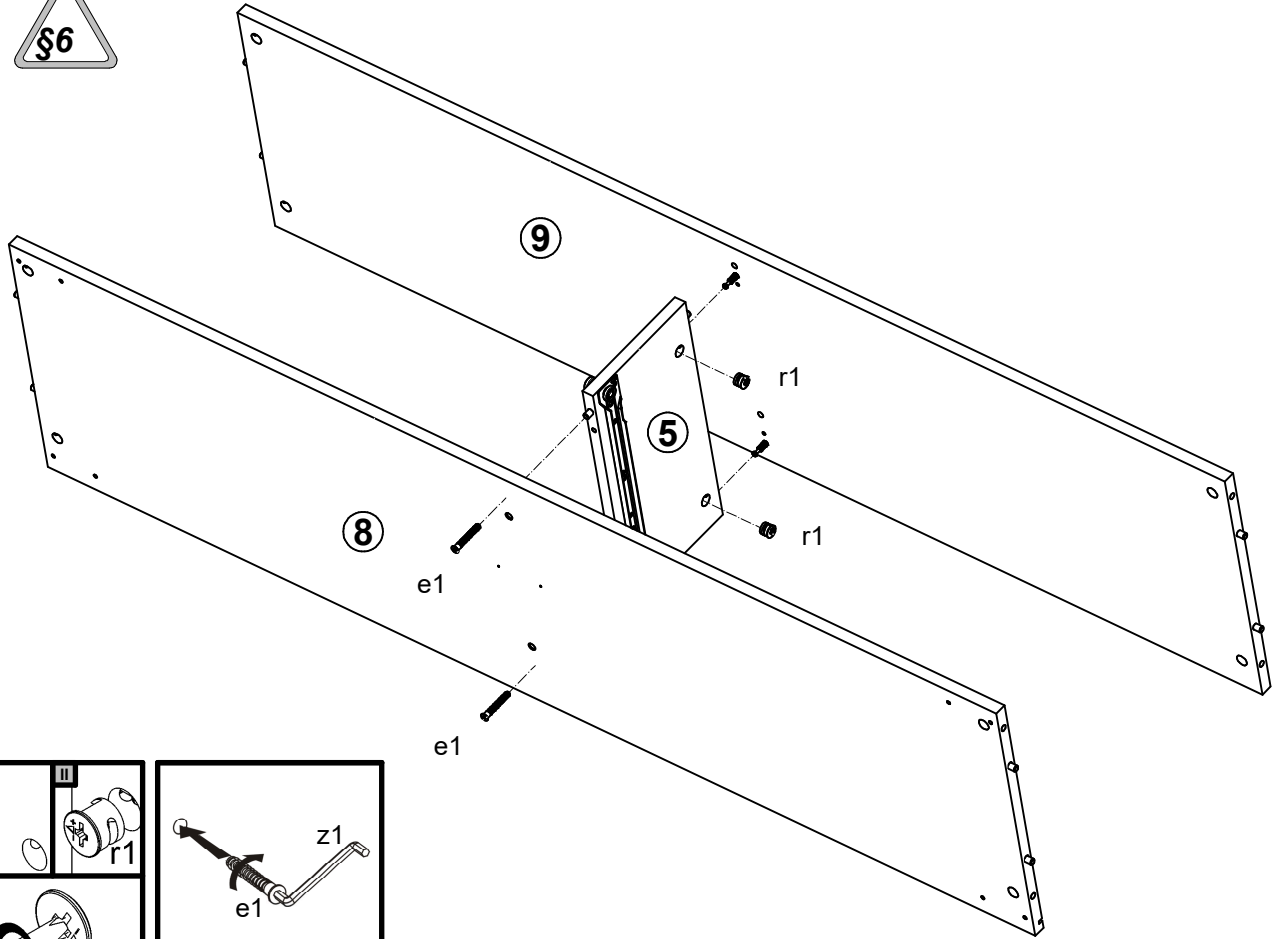


2x Ø7x50 mm e1	9x Ø6x13 mm e3	8x Ø5x9 mm e19	8x Ø6x22 mm e31	18x Ø8x30 mm f1	1x Ø8x50 mm f6	4x Ø6x30 mm f9	8x Ø6.5x40 mm f25	15x 1.4x20 mm l1
10x i2	1x 84x40/25 mm k77	4x silikon o21	2x Ø3.5x16 mm p25	2x Ø3.5x10 mm p35	2x Ø4x25 mm p36	12x Ø3.5x16 mm p38	3x Ø3x12 mm p54	14x Ø15x12 mm #16 r1
8x Ø12x10.5 mm #12 r15	22x 20/11 r42	5x Ø16 s2	2x 350 mm t35	2x 350 mm w45\CL	2x 350 mm w45\CR	2x 350 mm w45\DL	2x 350 mm w45\DR	1x 4 mm z1

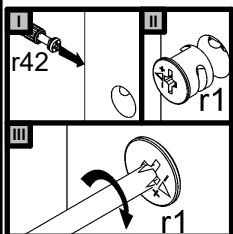
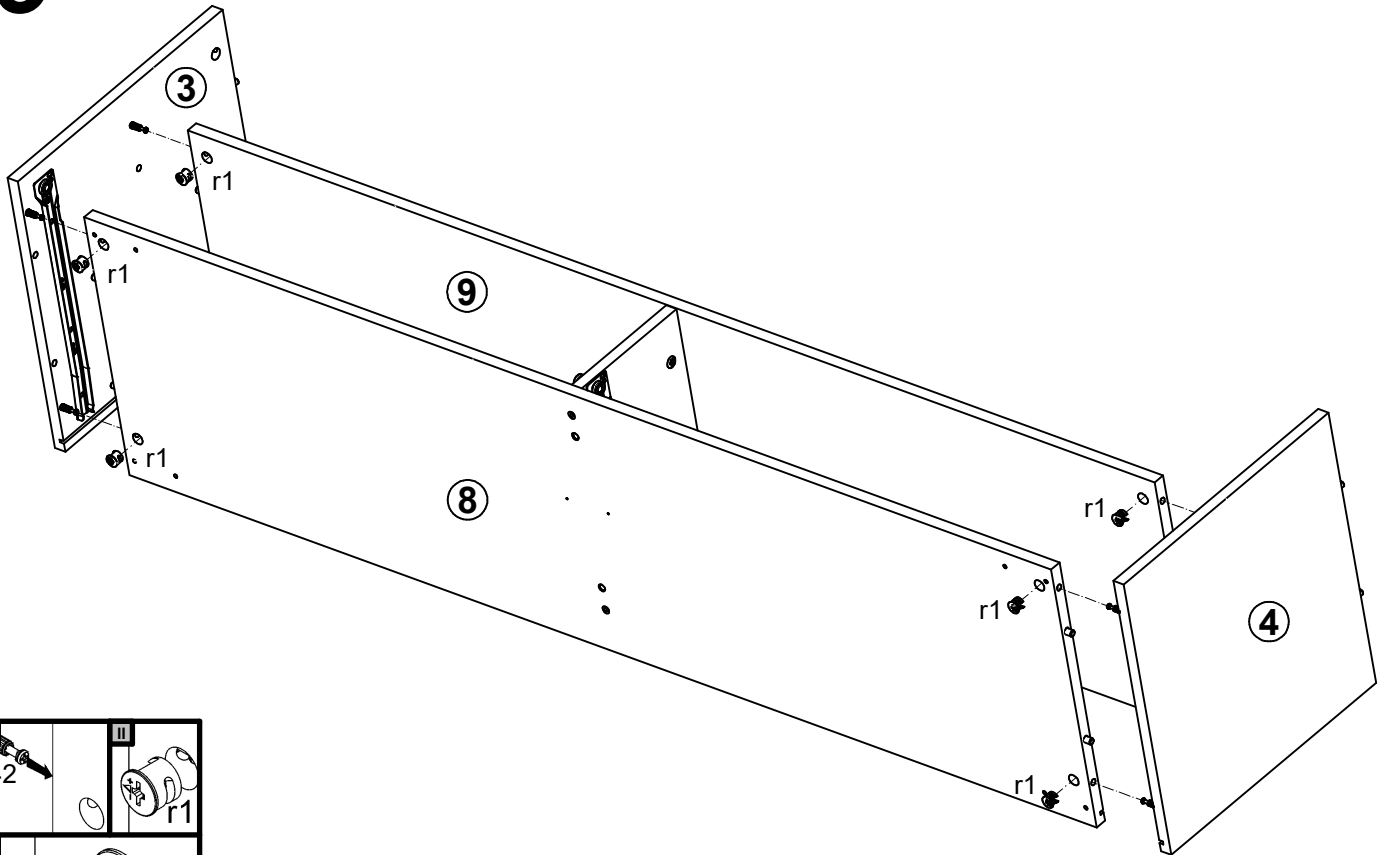
1 



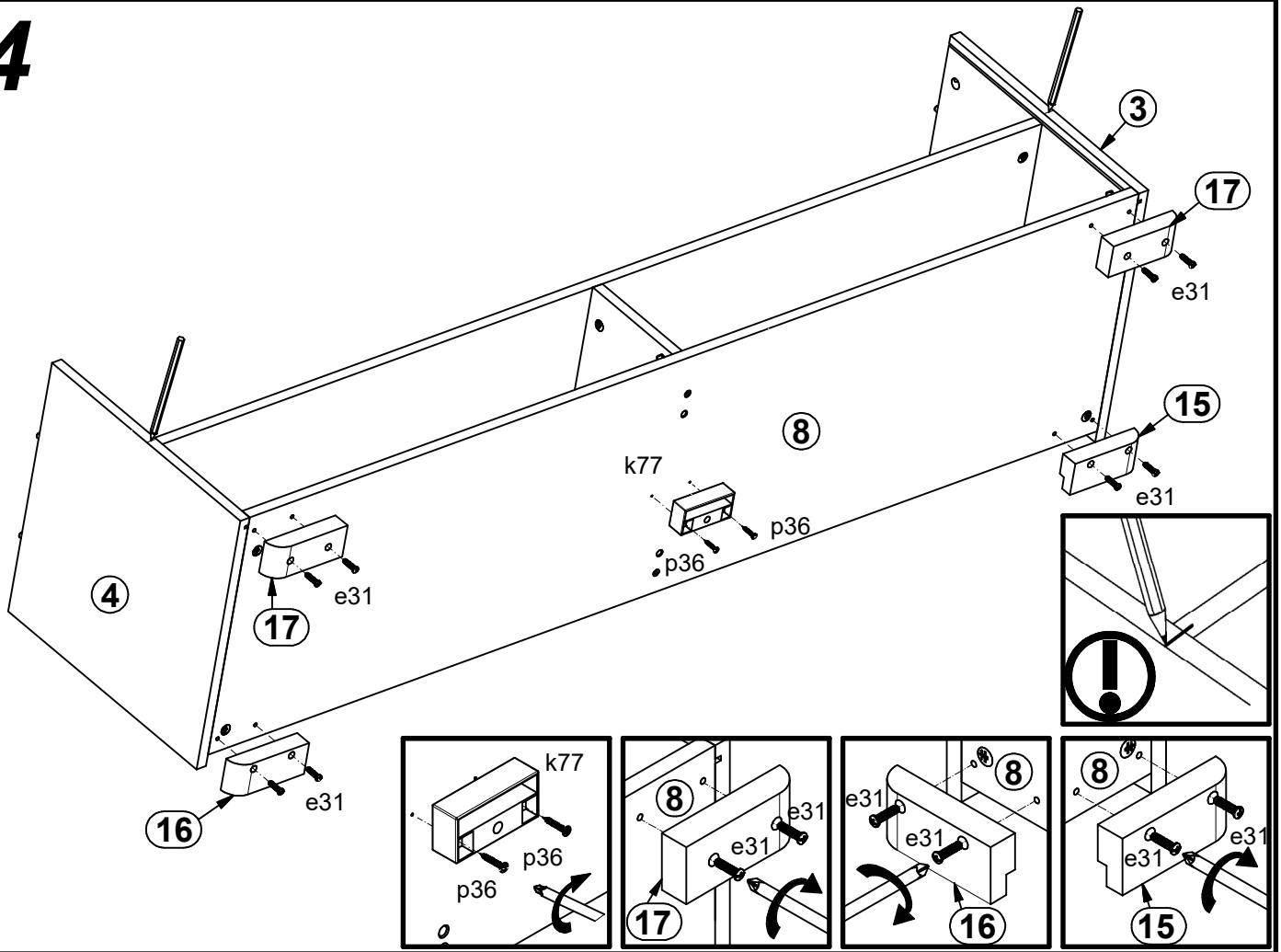
2



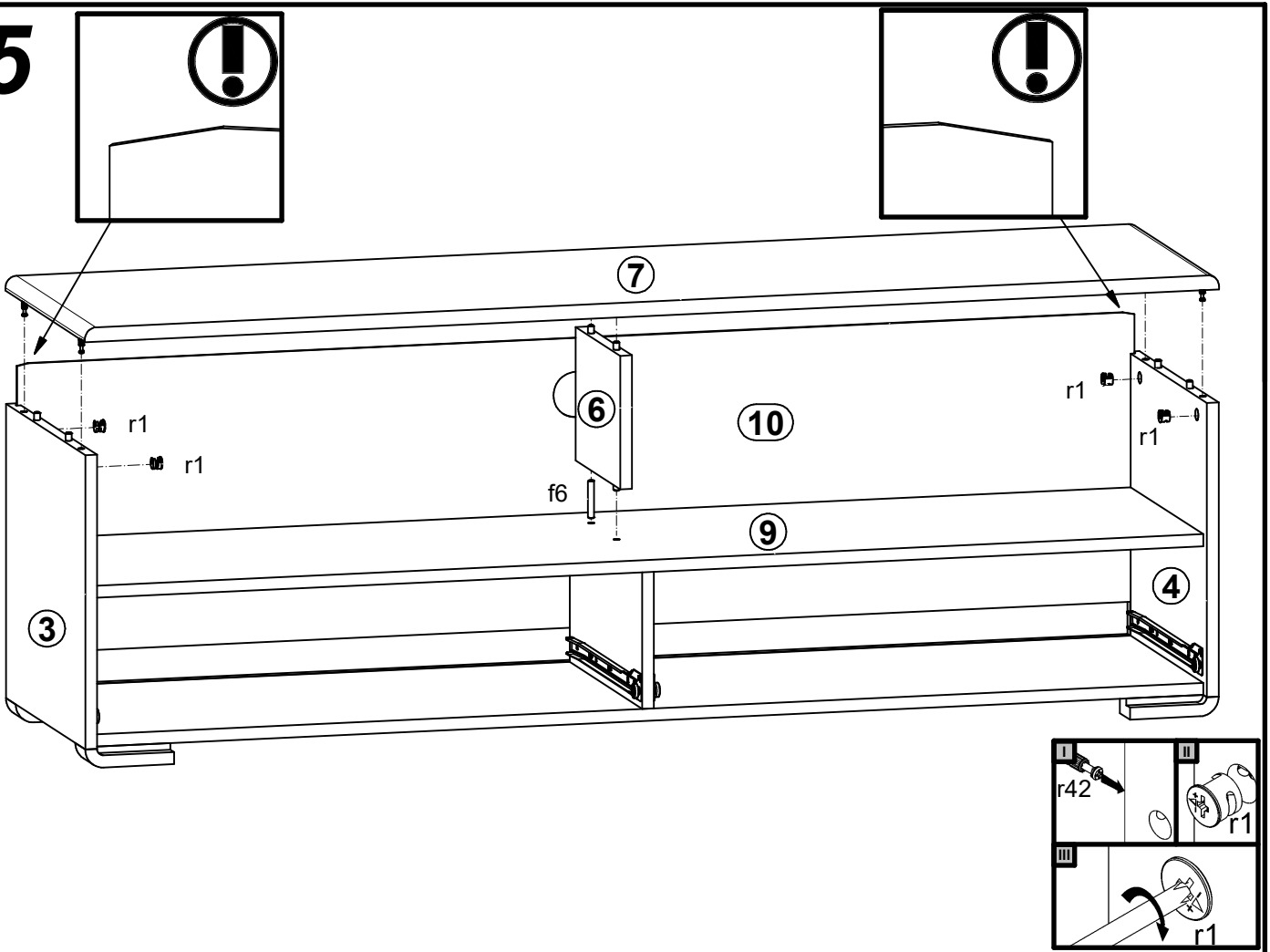
3



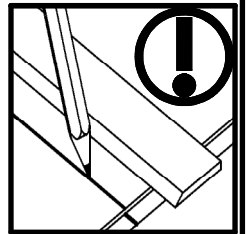
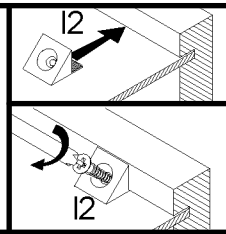
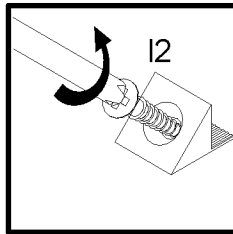
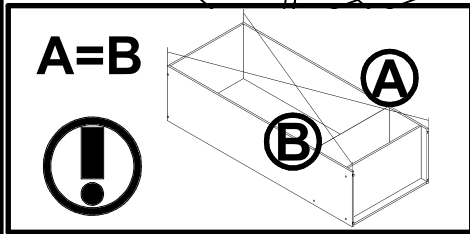
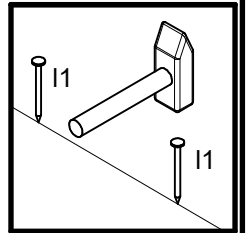
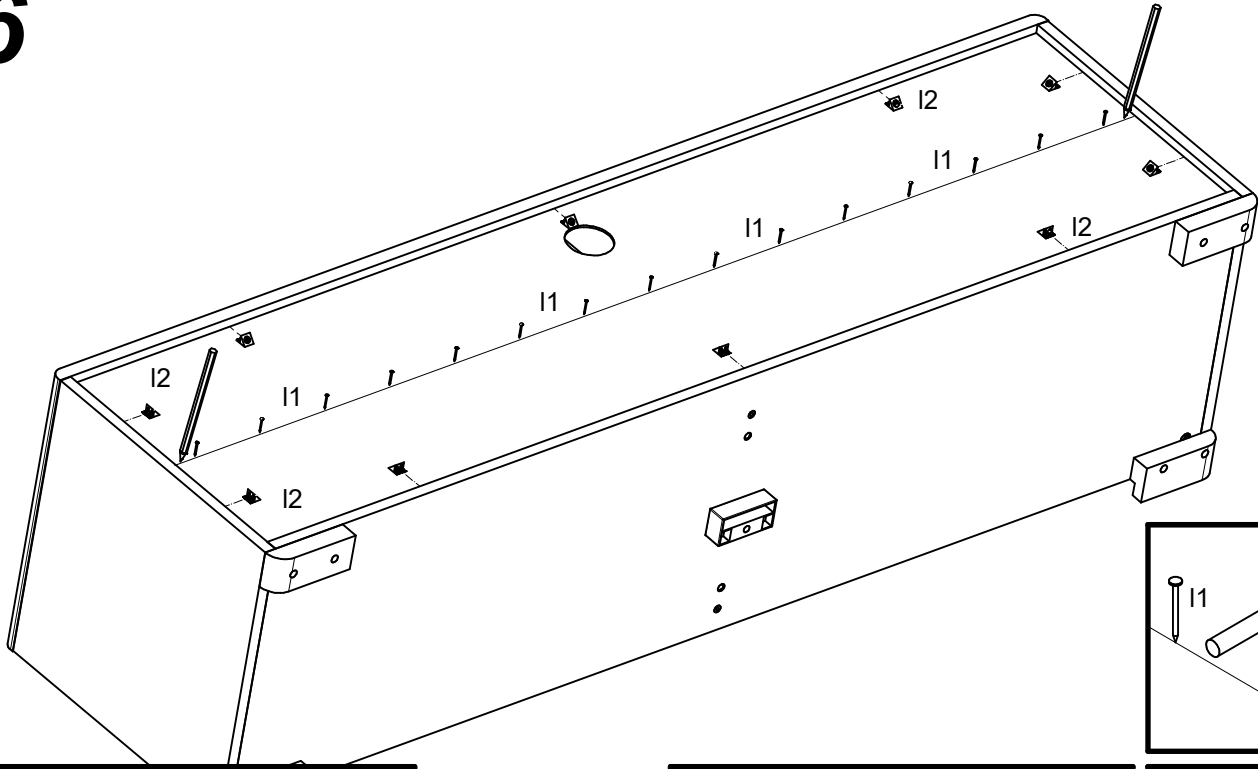
4



5



6



7

