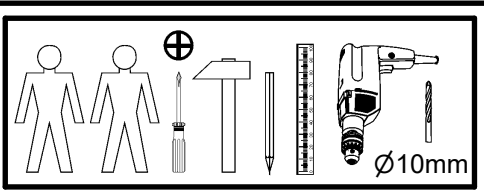
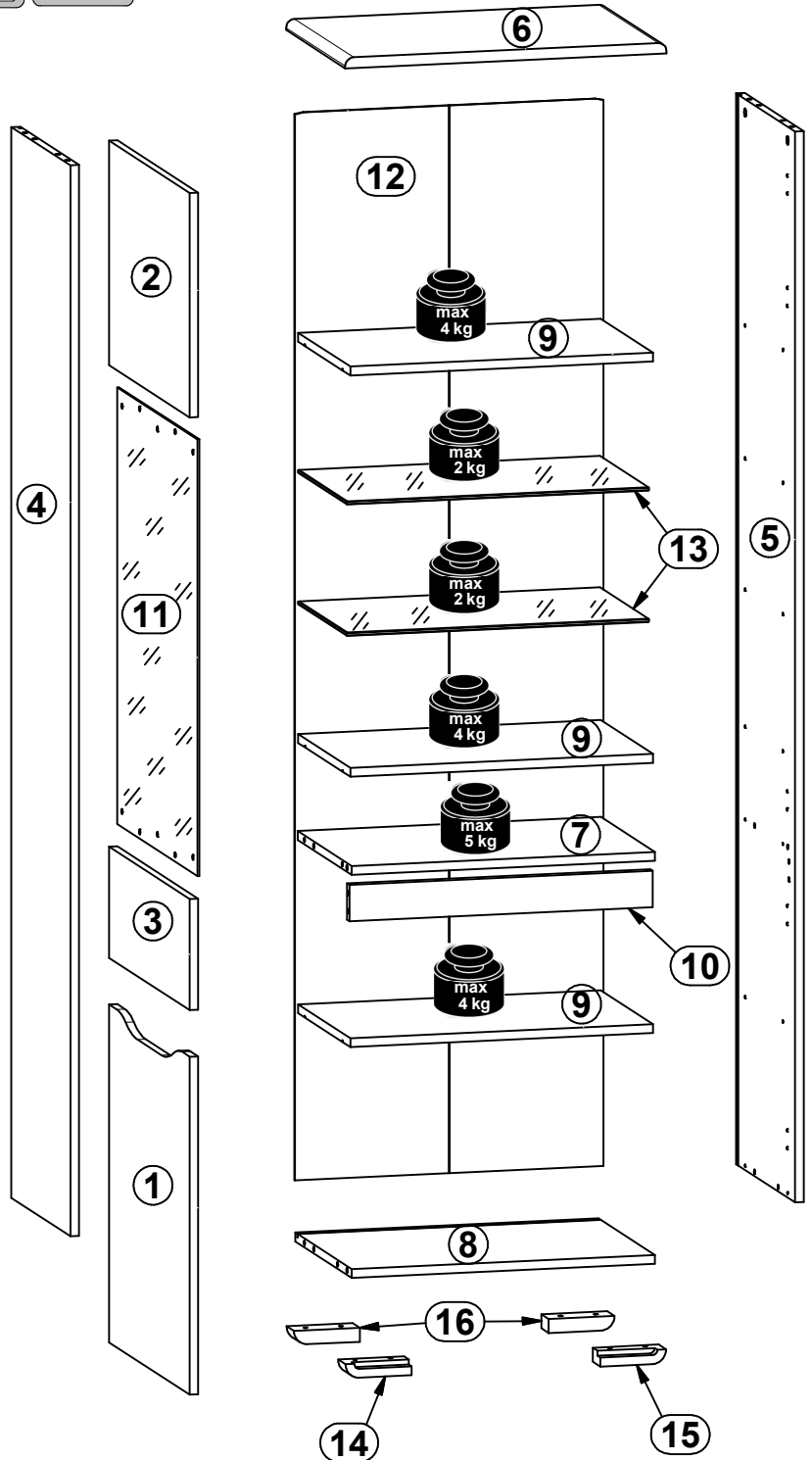
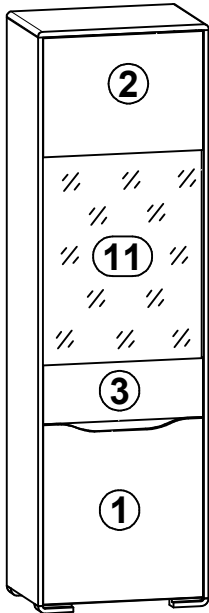


A

HAREN

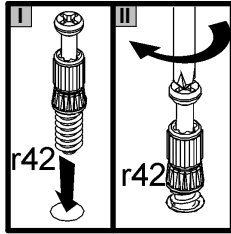
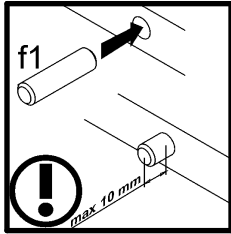
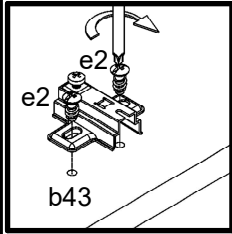
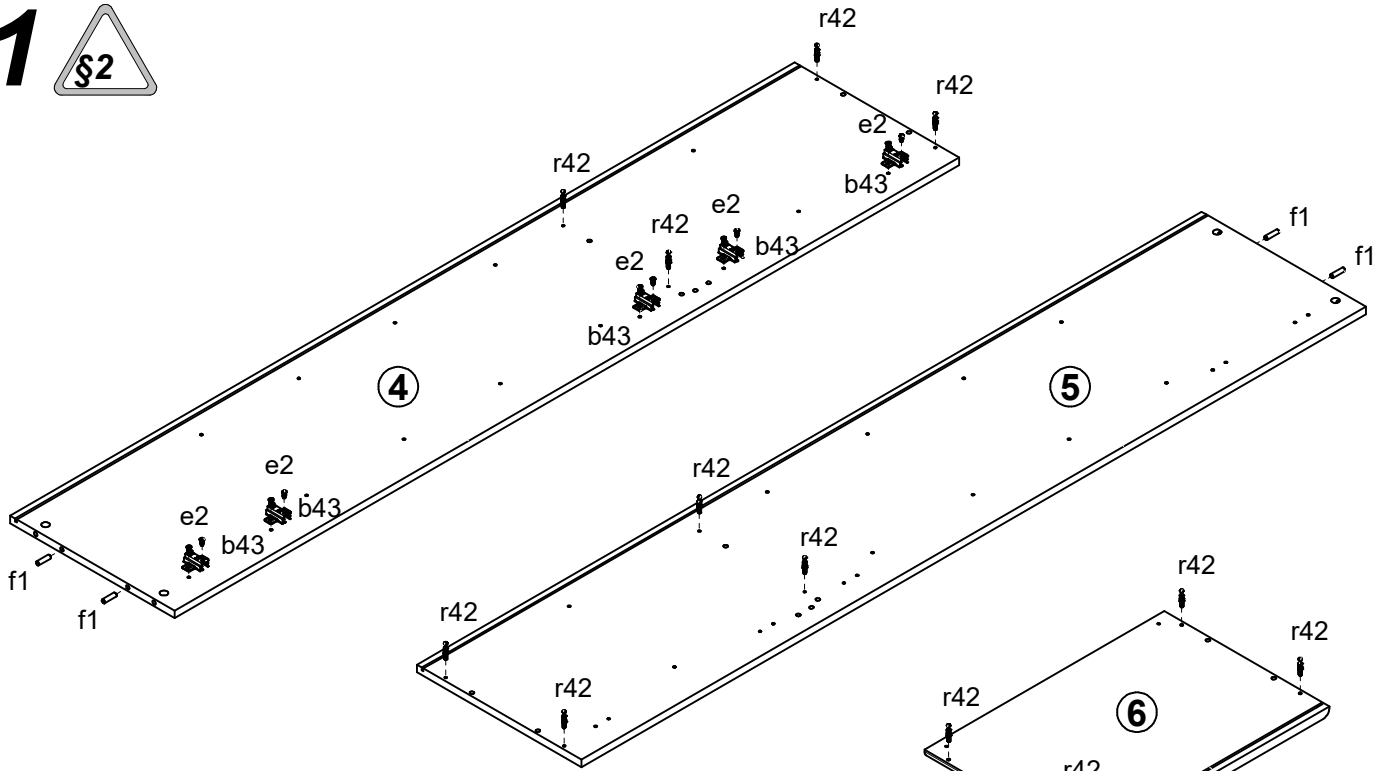
S400-REG1W1DL

A	B	C	D	
1	S400-0019	546	602	3/3
2	S400-0020	546	400	3/3
3	S400-0021	546	198	3/3
4	S400-1015	1908	400	1/3
5	S400-1016	1908	400	1/3
6	S400-2005	584	401	2/3
7	S400-3004	551	366	1/3
8	S400-3013	551	382	1/3
9	S400-3017	550	354	1/3
10	S400-4005	551	65	1/3
11	S400-5001	778	545	3/3
12	S400-9303	1902	561	1/3
13	S332-5013	549	330	2/3
14	S332-5001	120	50	3/3
15	S332-5002	120	50	3/3
16	S332-5003	120	50	3/3



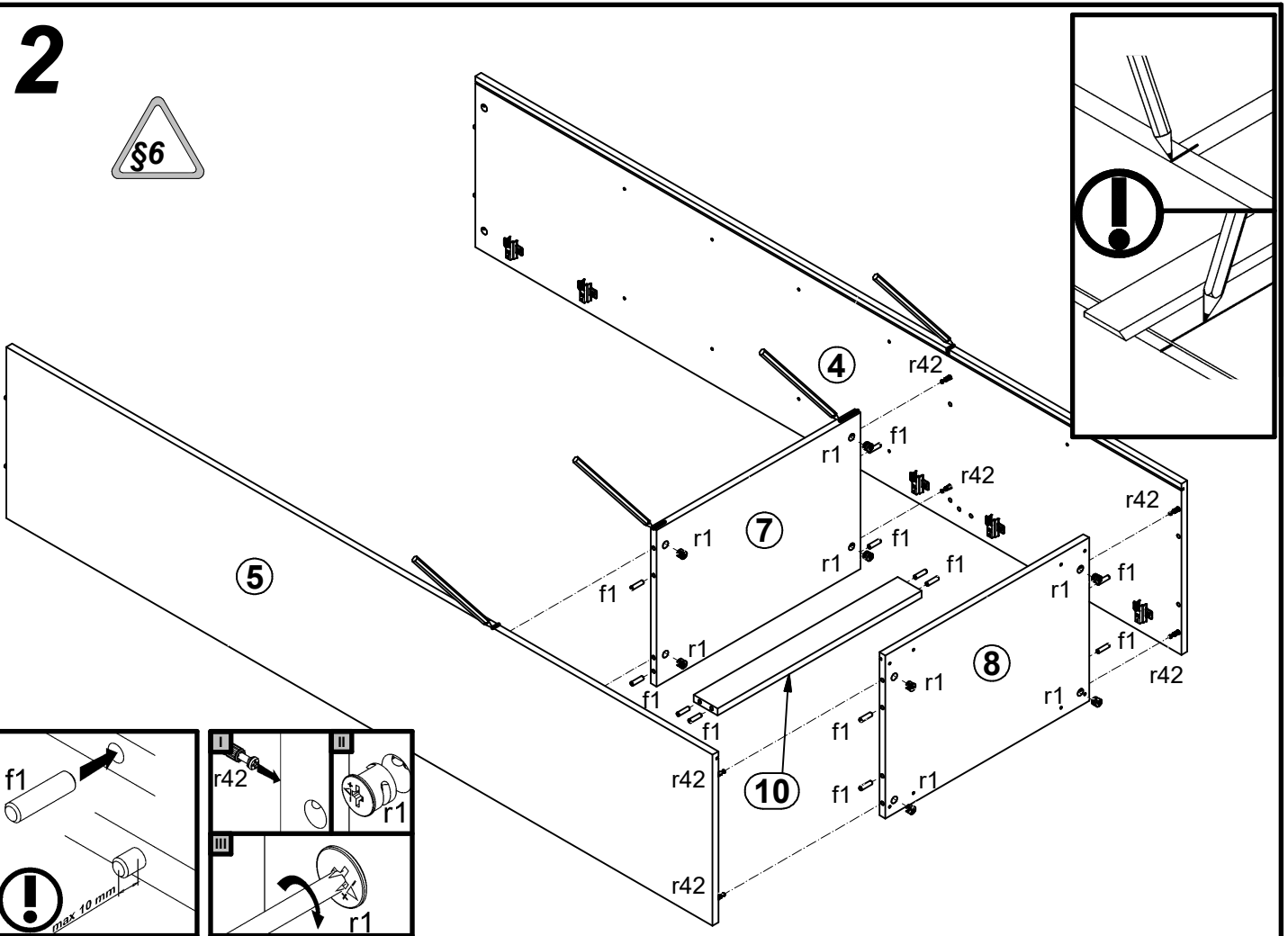
5x K.16 5P. 035 a160	5x b43	12x Ø5x17 mm d1	8x Ø5x17 mm d3	1x Ø6,3x15 mm d5	10x Ø6,3x13 mm e2	8x Ø6x22 mm e31	10x Ø5x12 mm e41	16x Ø8x30 mm f1	
10x 1,4x20 mm i1	14x i2	2x silikon o21	10x Ø5,3/Ø8,3x4,8 mm o54	10x Ø3,5x15 mm p51	12x Ø15x12 mm #16 r1	12x 20/11 r42	4x Ø16 s2		
								1x n26/1	1x Ø3,5x16 mm p38

1 §2



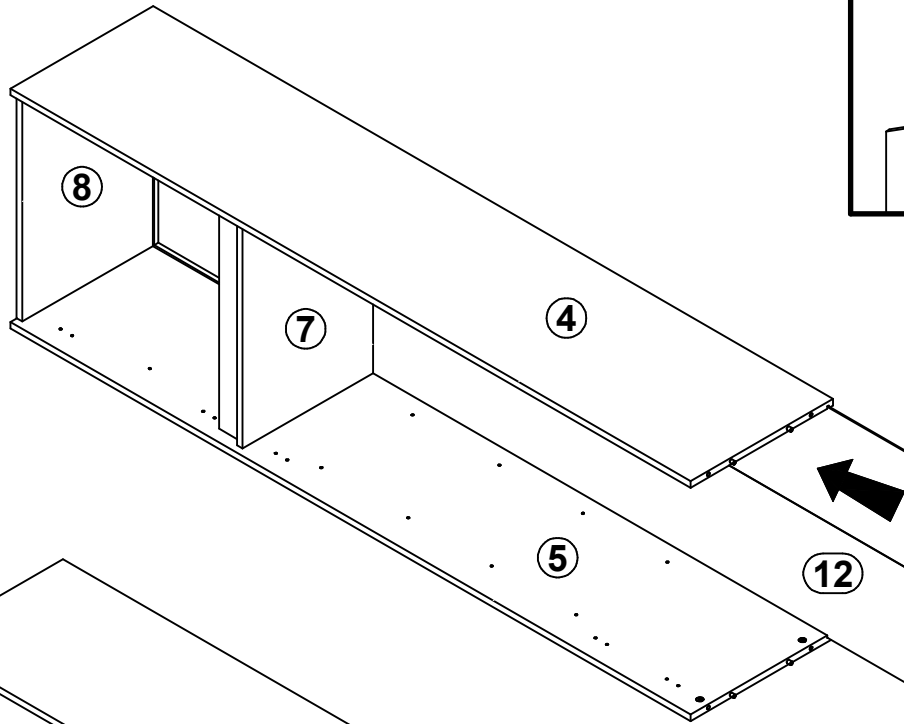
2

§6

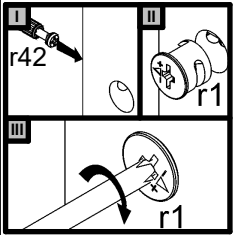
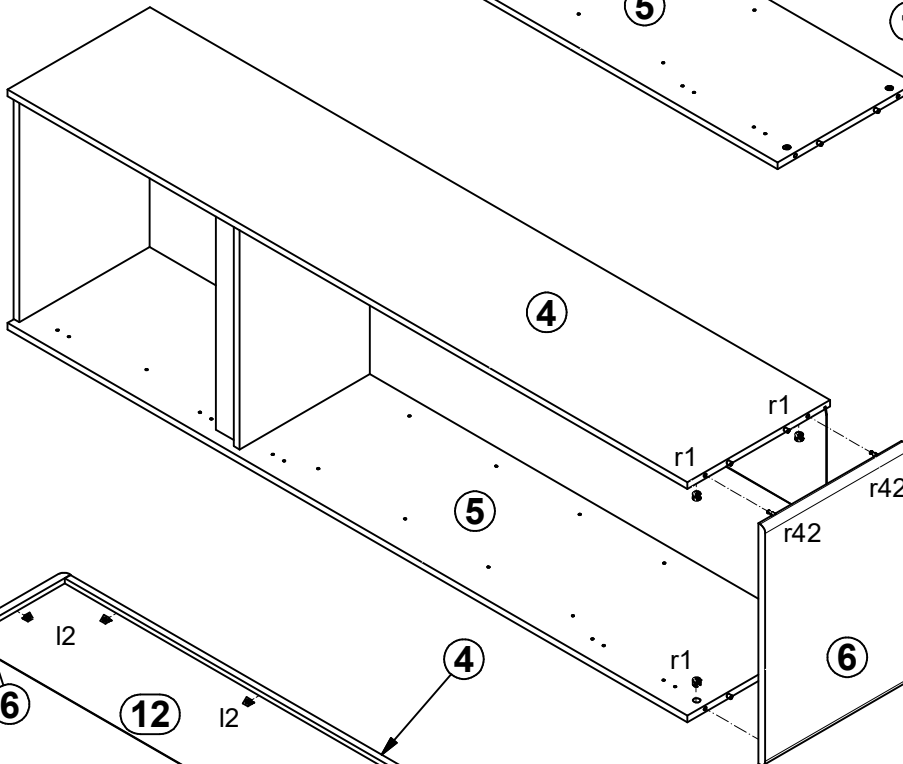


3

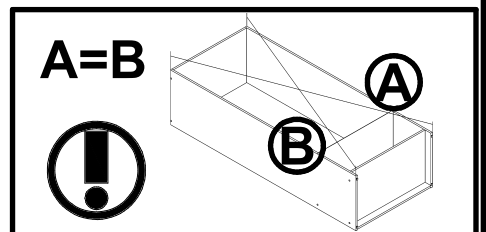
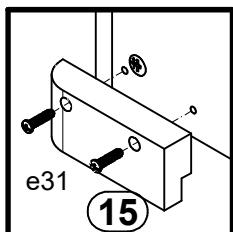
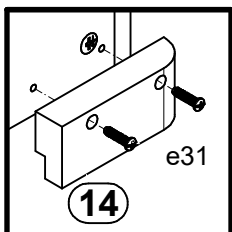
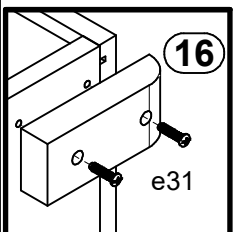
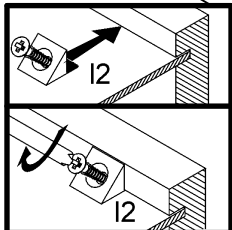
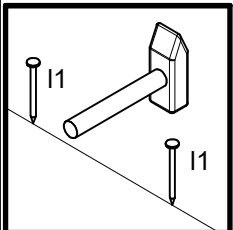
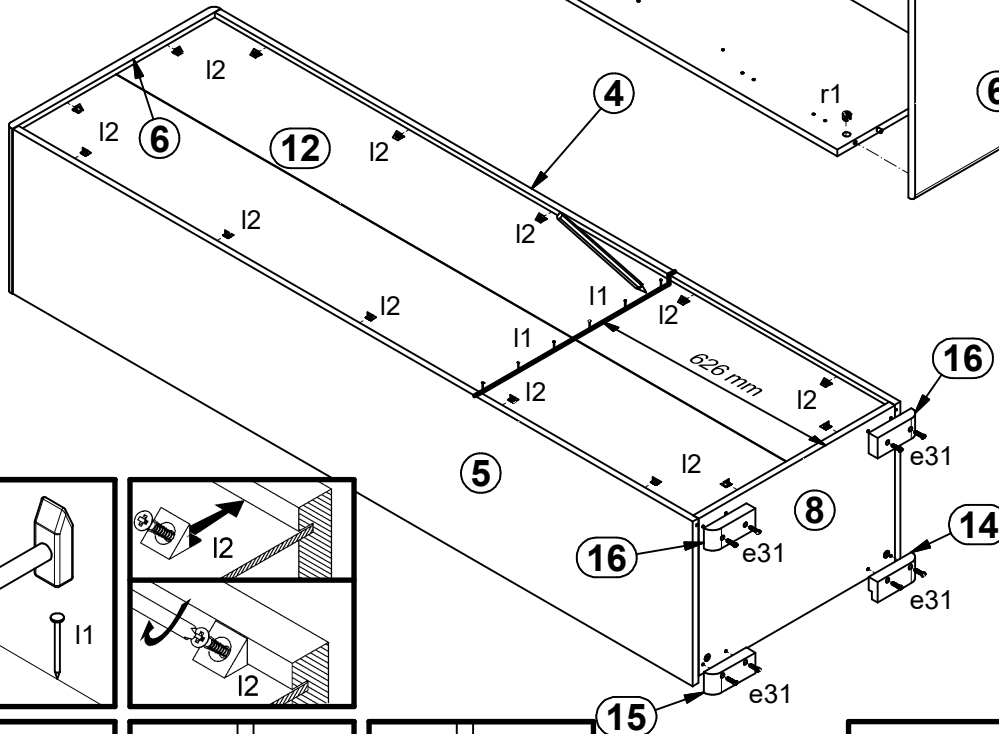
I



II



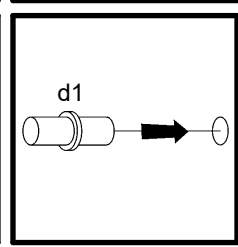
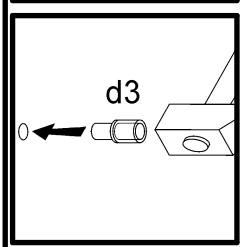
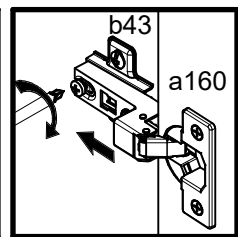
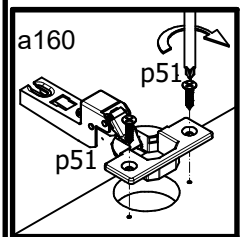
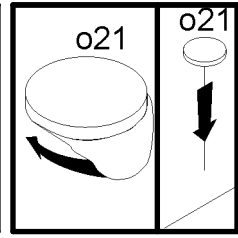
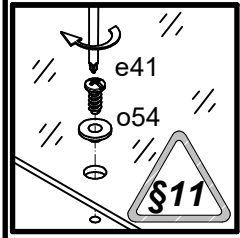
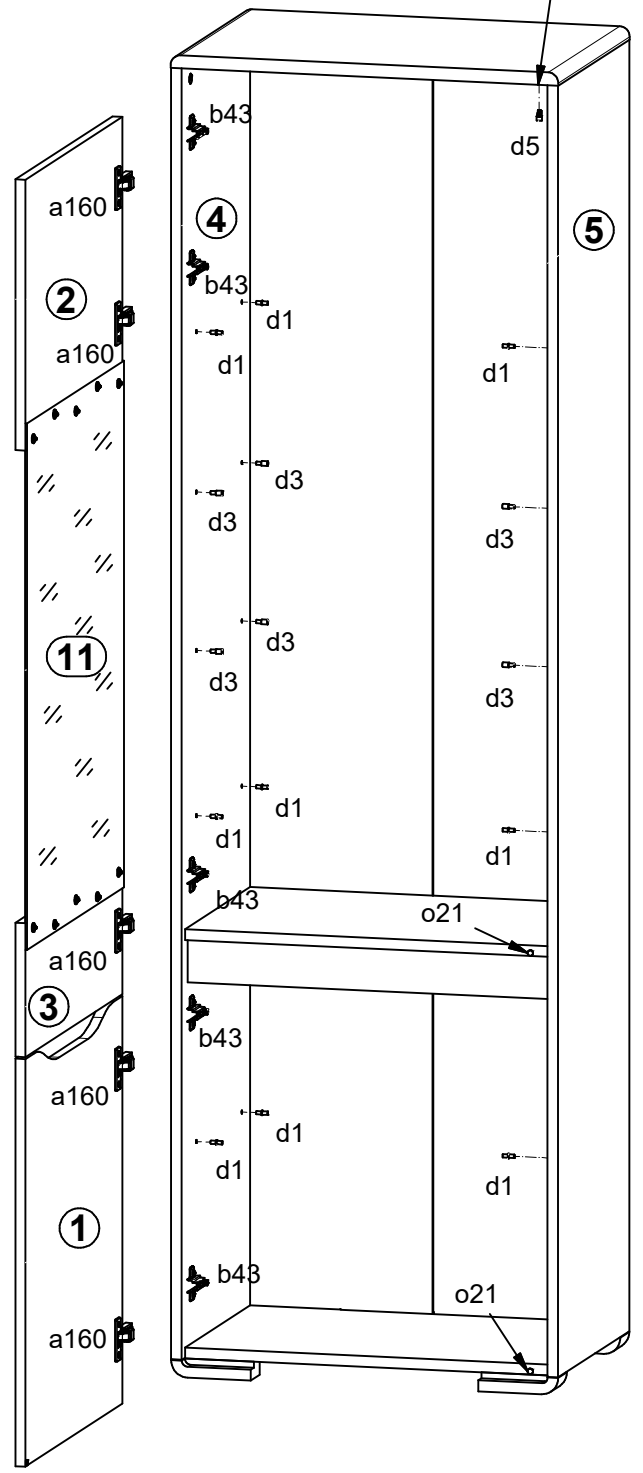
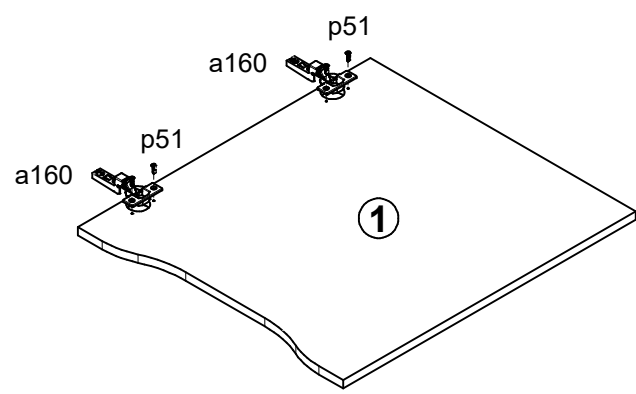
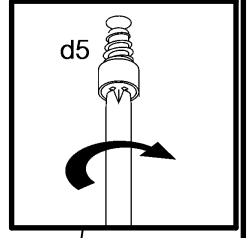
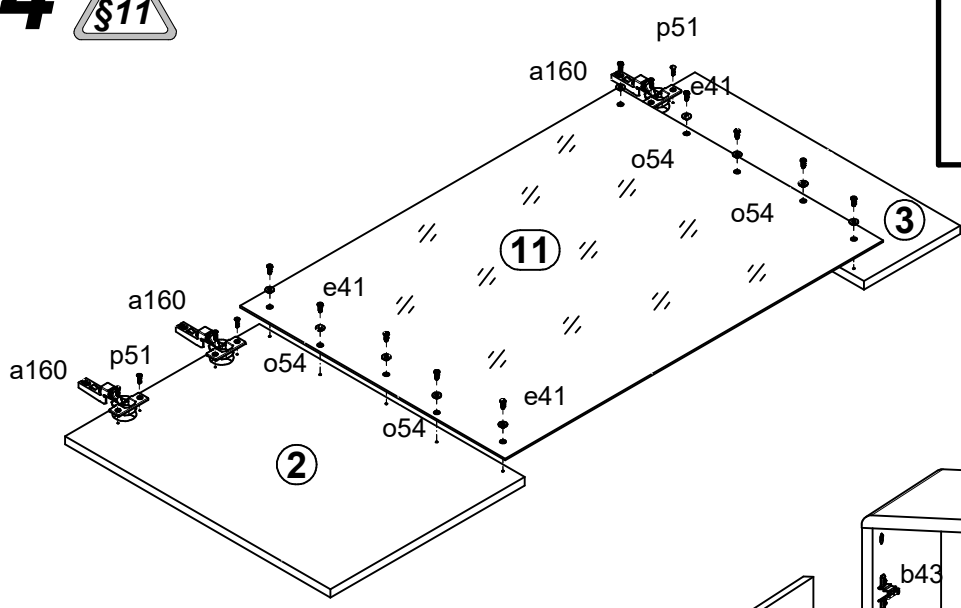
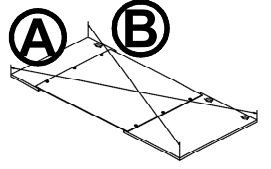
III



4 §11

A=B

(A) **(B)**



5

