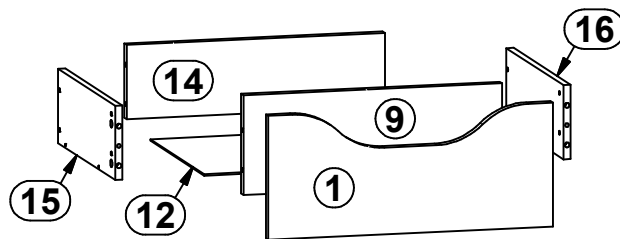
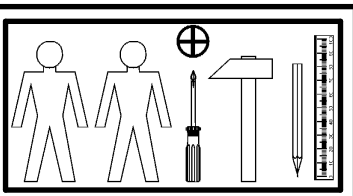
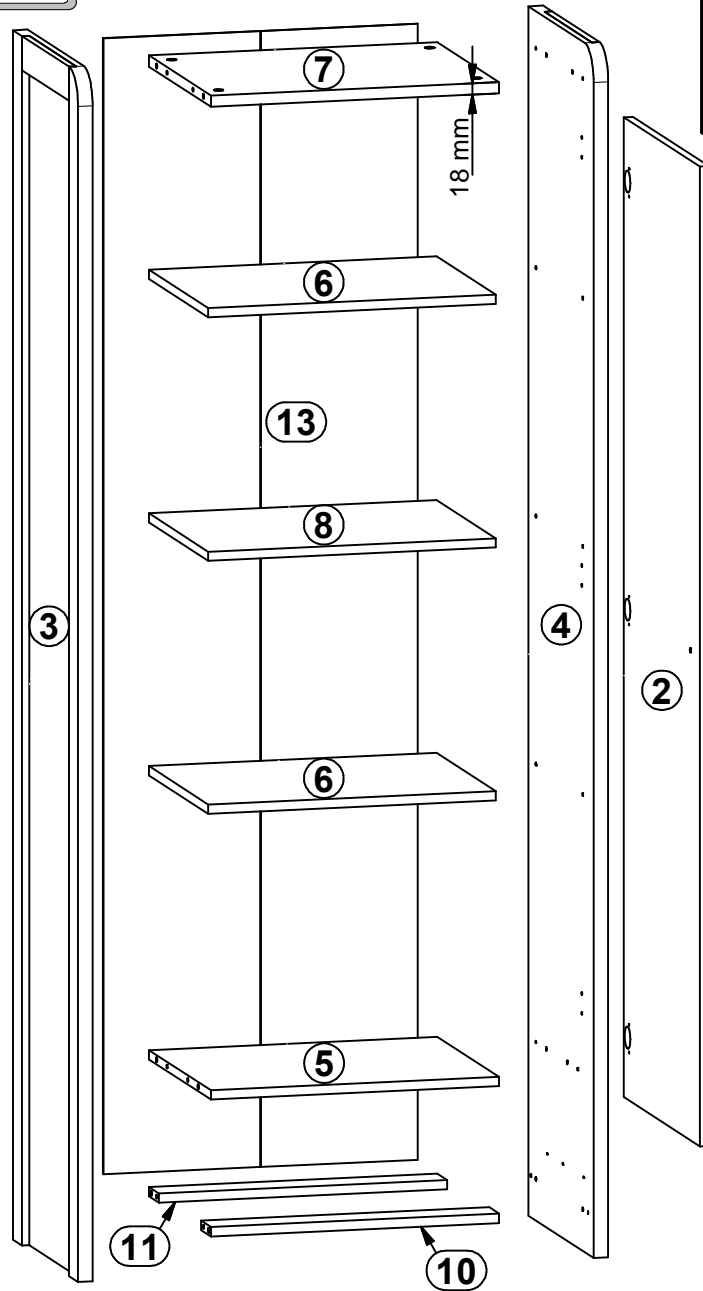
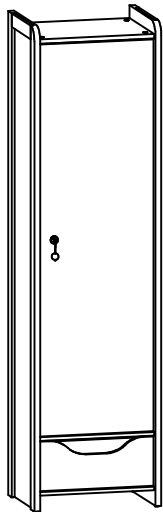
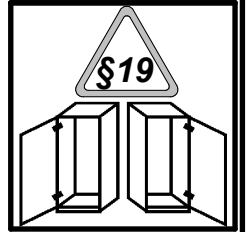
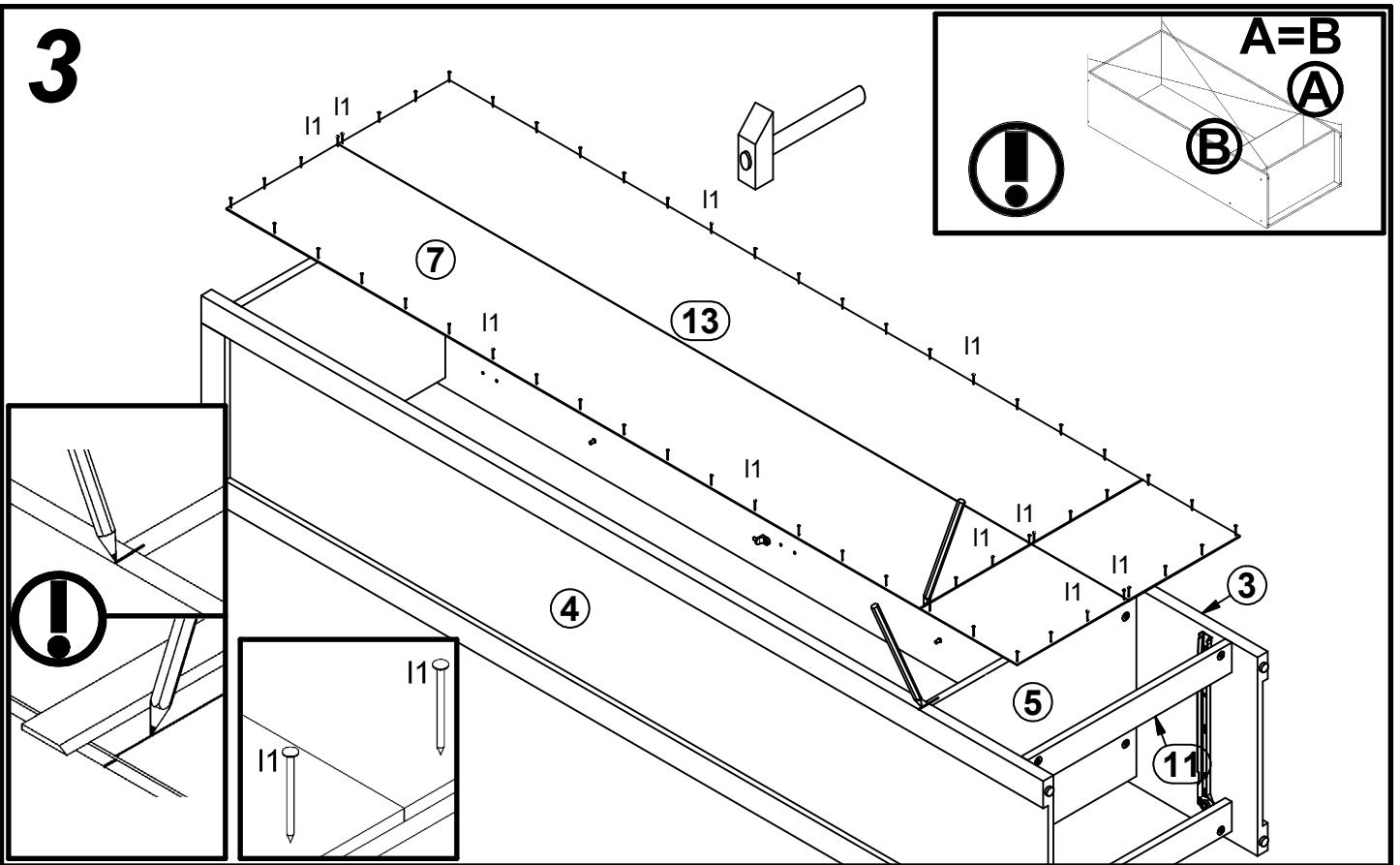


| A | B | C | D |
|----|----------|------|-----|
| 1 | S193-008 | 468 | 200 |
| 2 | S193-010 | 1583 | 468 |
| 3 | S193-117 | 1954 | 400 |
| 4 | S193-118 | 1954 | 400 |
| 5 | S193-302 | 474 | 380 |
| 6 | S193-308 | 473 | 364 |
| 7 | S193-315 | 474 | 380 |
| 8 | S193-319 | 473 | 364 |
| 9 | S193-404 | 425 | 161 |
| 10 | S193-405 | 474 | 60 |
| 11 | S193-406 | 474 | 60 |
| 12 | S193-904 | 447 | 330 |
| 13 | S193-909 | 1835 | 517 |
| 14 | ZS3-5555 | 425 | 120 |
| 15 | ZT5-501 | 350 | 120 |
| 16 | ZT5-502 | 350 | 120 |

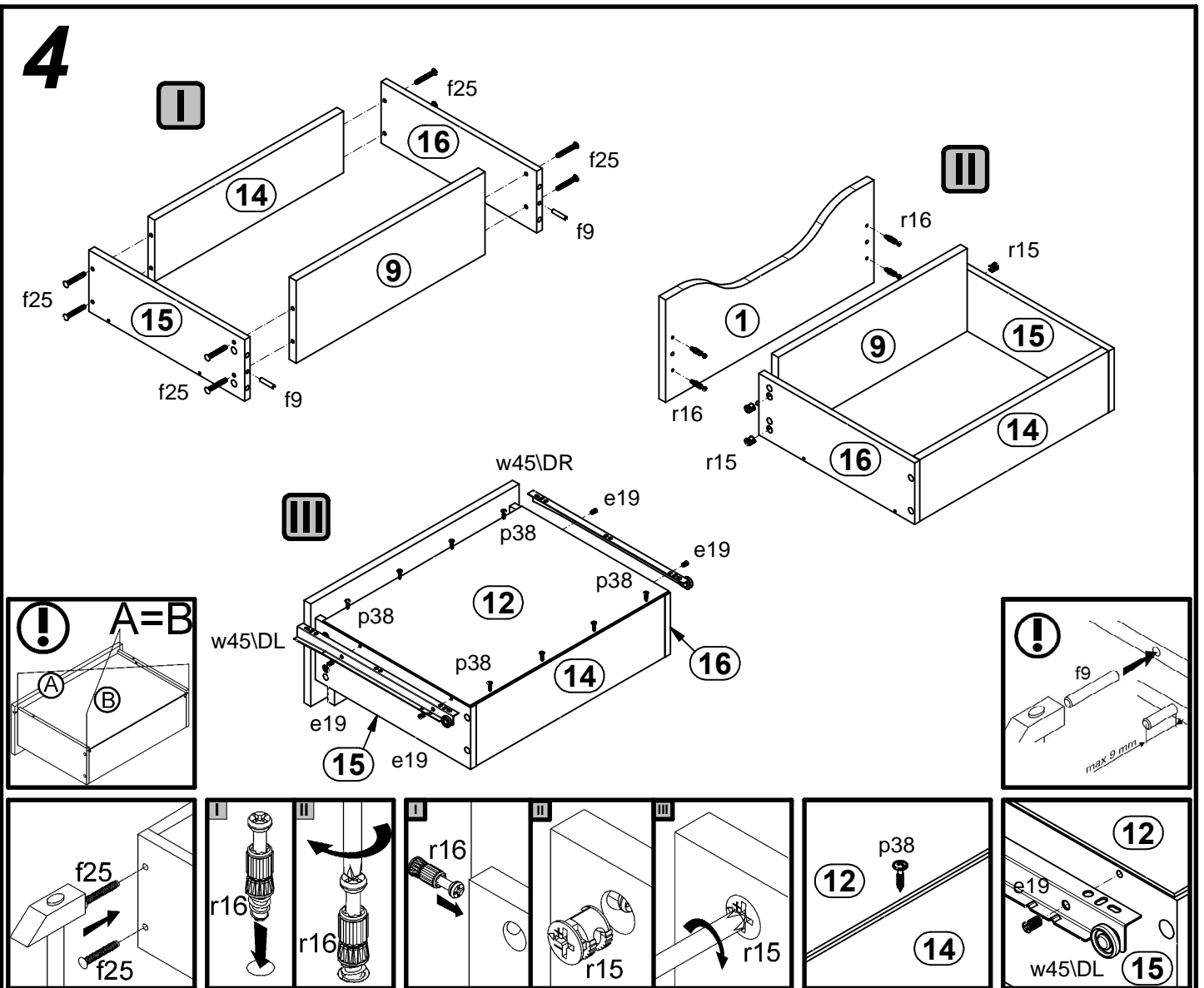


| | | | | | | | | |
|----------------------------|----------------------------|----------------------------|----------------------------|-----------------------------|-----------------------------|--------------------------------|----------------------------------|-----------------------------|
| 3x a43 | 3x b38 | 1x c353\1 | 8x Ø5x17 mm d1 | 4x d28 | 4x Ø6.3x13 mm e5 | 6x Ø5.5x13 mm e13 | 10x Ø5x9 mm e19 | 8x Ø6.5x40 mm f25 |
| 14x Ø6x30 mm f9 | 1x M4x16 mm j83 | 4x k1 | 55x l1 | 8x Ø3.5x16 mm p38 | 6x Ø3.5x15 mm p51 | 12x Ø15x12 mm #16 r1 | 4x Ø12x10.5 mm #12 r15 | 16x r16 |
| 1x 350 mm w45\CL | 1x 350 mm w45\CR | 1x 350 mm w45\DL | 1x 350 mm w45\DR | 1x n26\1 | 1x Ø3.5x16 mm p38 | | | |

3



4



5

