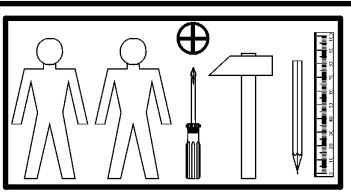
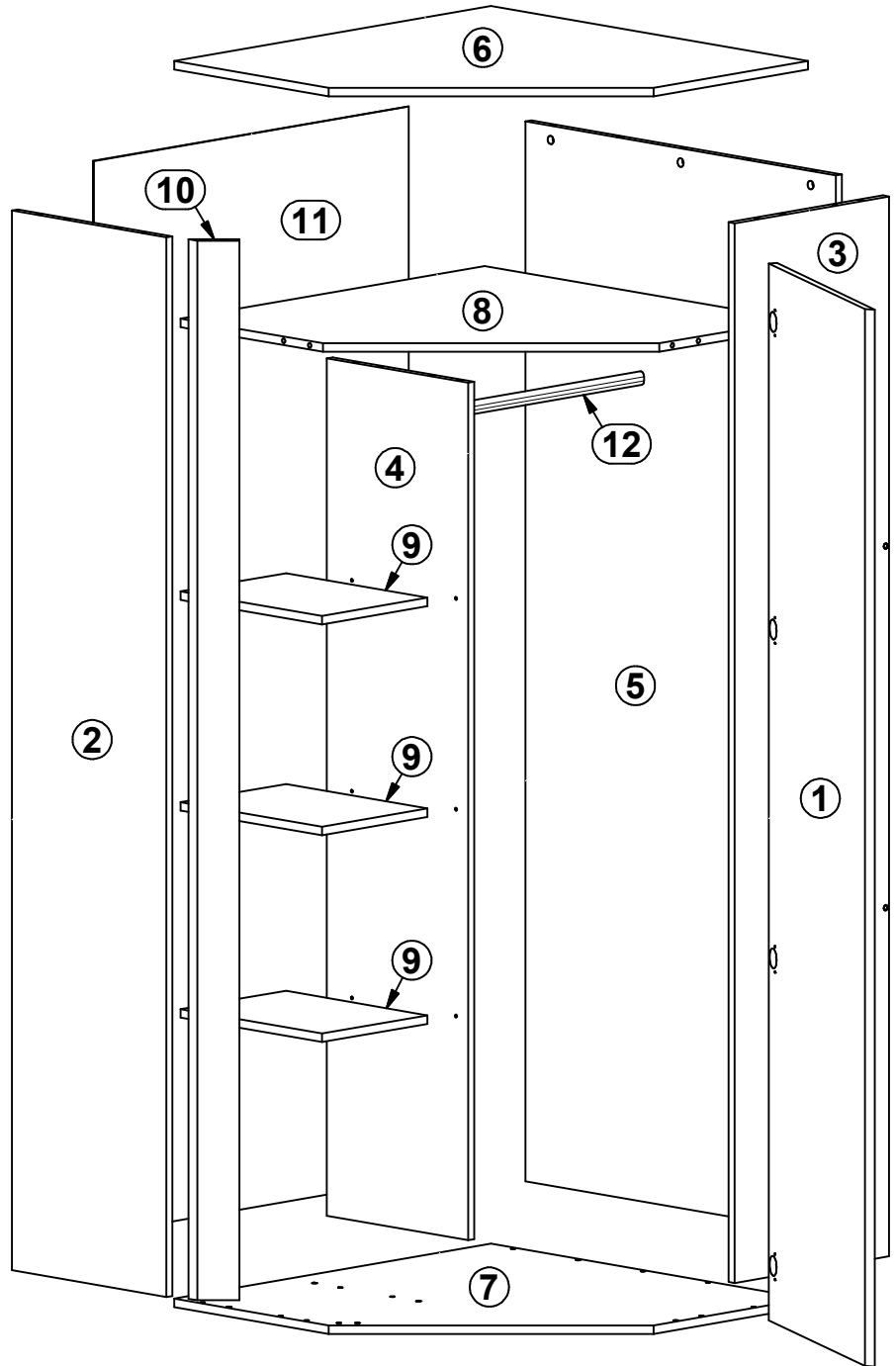
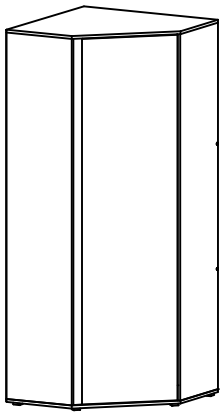


# GRAPHIC

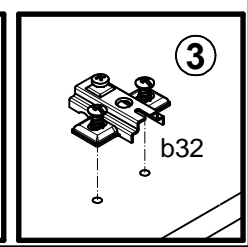
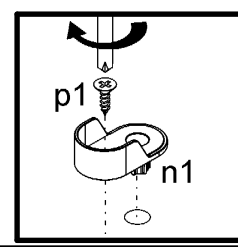
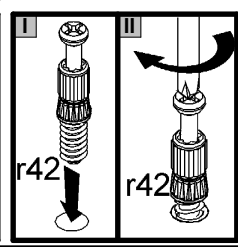
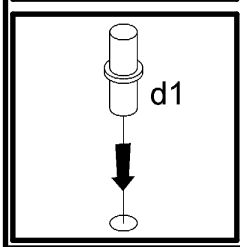
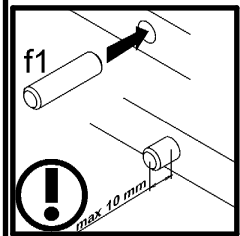
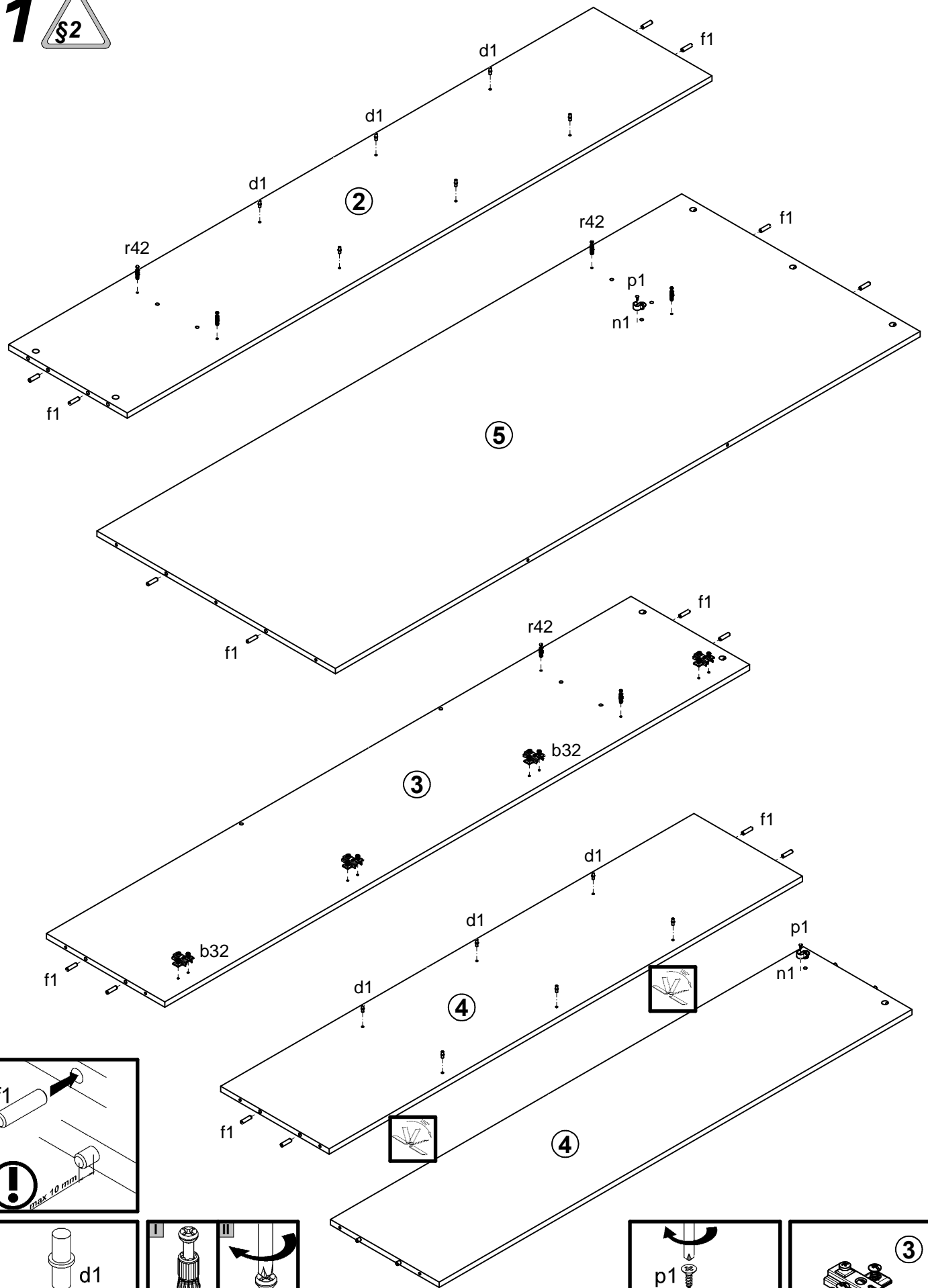
# S202-SZFN1D

A	B	C	D
1	S202-016	1870	498 3/3
2	S202-150	1875	380 1/3
3	S202-151	1875	380 1/3
4	S202-152	1517	348 1/3
5	S202-153	1875	764 1/3
6	S202-236	780	780 2/3
7	S202-237	780	780 2/3
8	S202-315	749	764 2/3
9	S202-316	260	348 1/3
10	S202-422	1875	88 1/3
11	S202-917	1900	775 1/3
12	dr-469	469	22 1/3

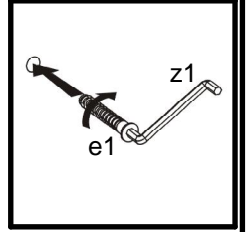
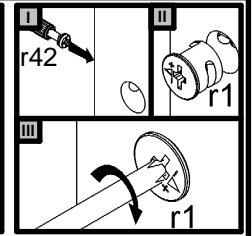
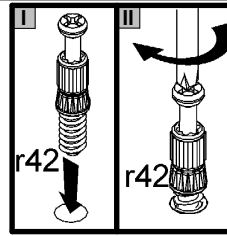
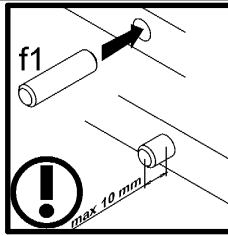
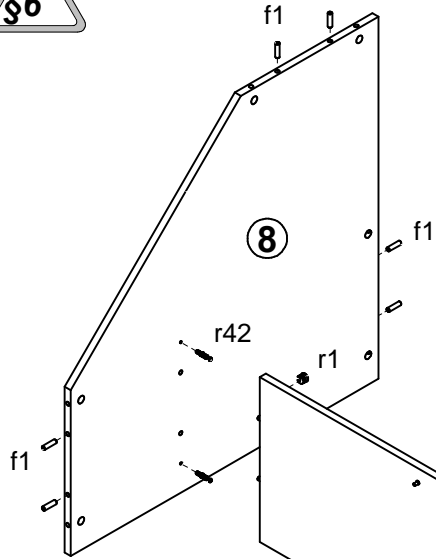


4x  a94	4x  b32	12x  d1 Ø5x17 mm	11x  e1 Ø7x50 mm	26x  f1 Ø8x30 mm	5x  k73	65x  l1	2x  n1	1x  n40 26x26x16/1-125°
2x  p1 Ø3.5x13 mm	2x  p27 Ø3.5x13 mm	8x  p51 Ø3.5x15 mm	5x  p79 Ø3.5x20 mm	15x  r1 Ø15x12 mm #16	15x  r42	2x  s1 Ø16	15x  s2 Ø16	1x  z1
1x  n26/1	1x  p38 Ø3.5x16 mm							

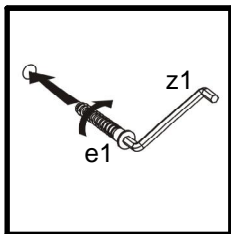
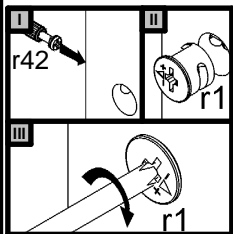
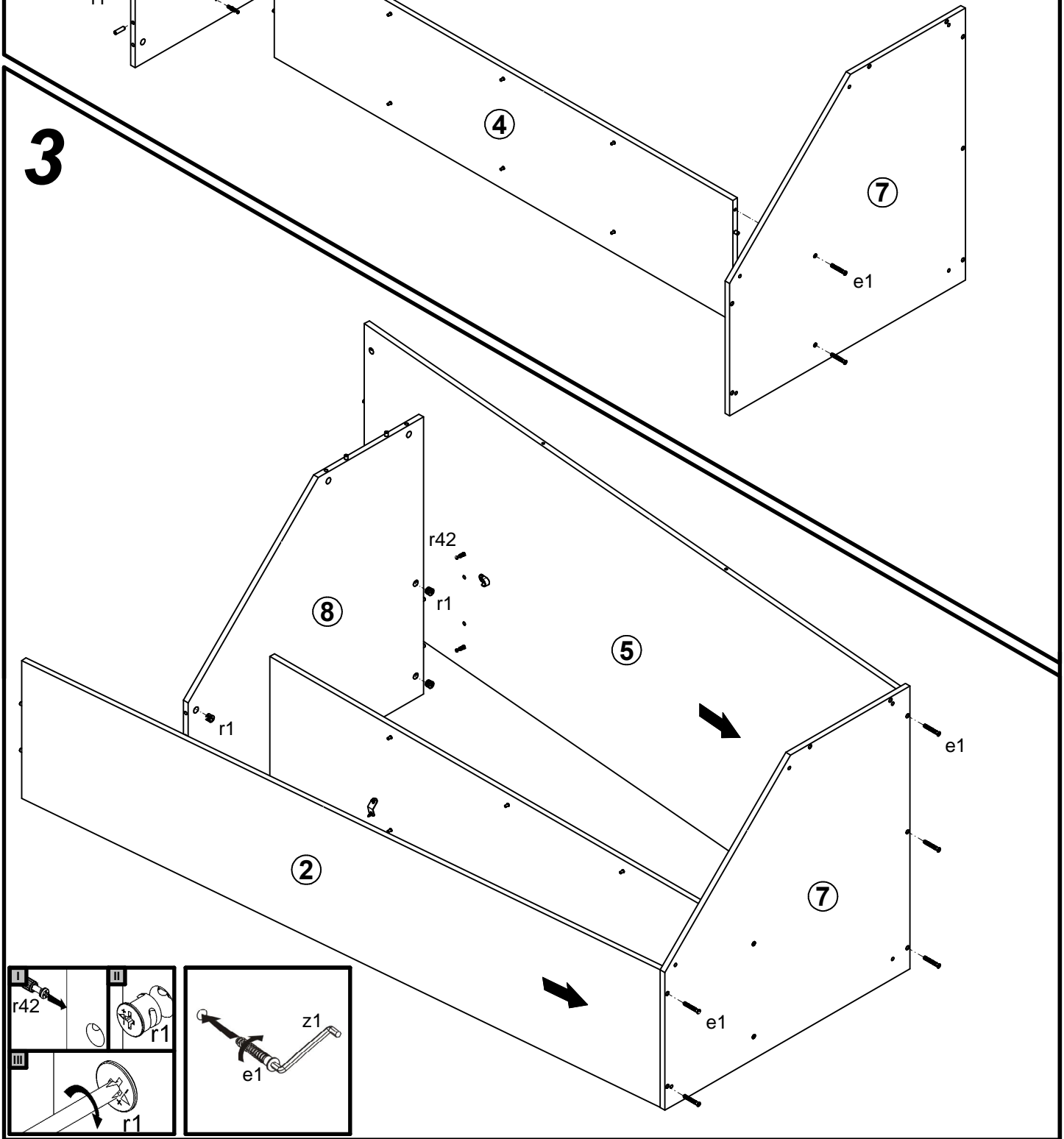
# 1

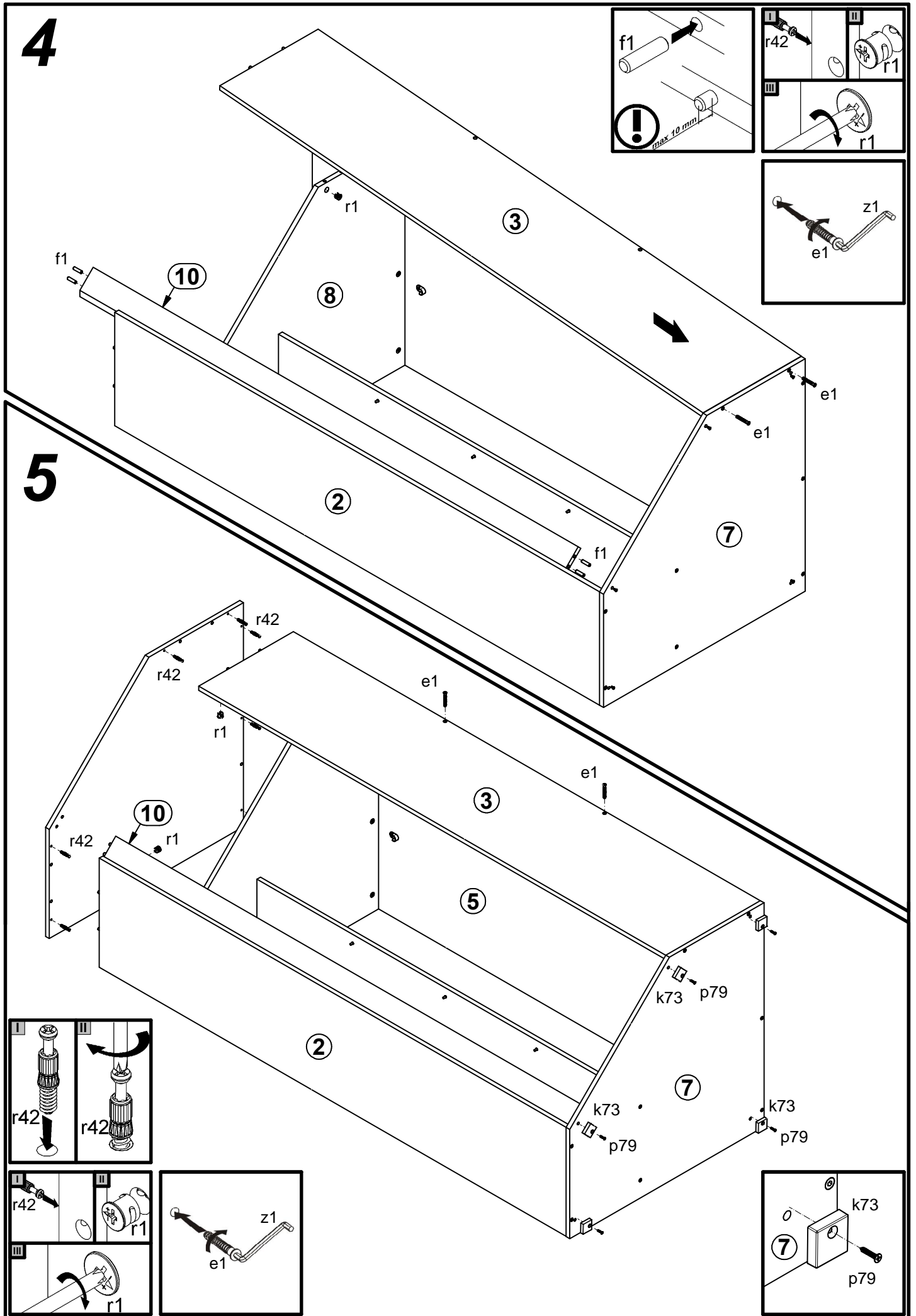


**2** §6

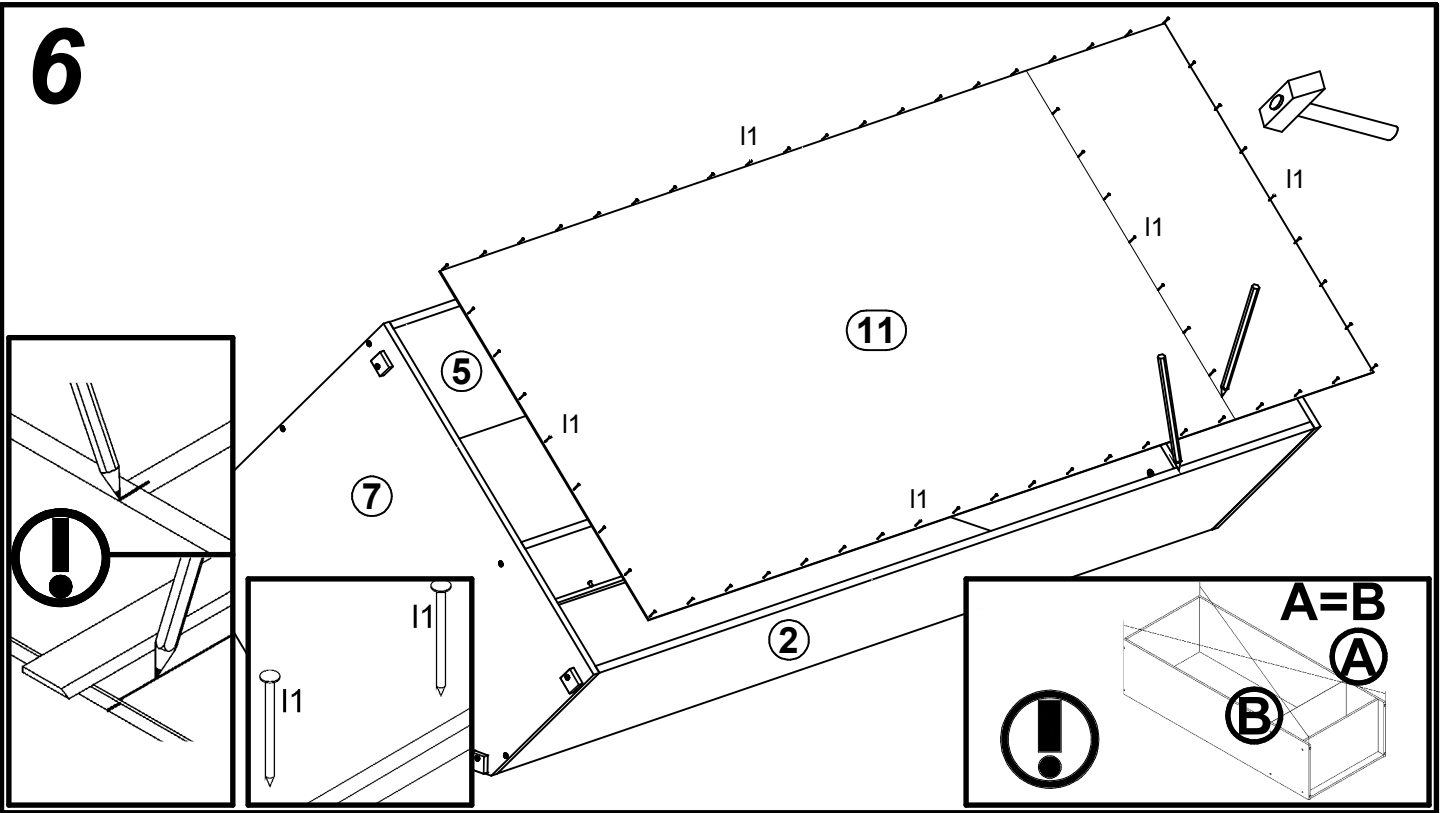


**3**





# 6



# 7

