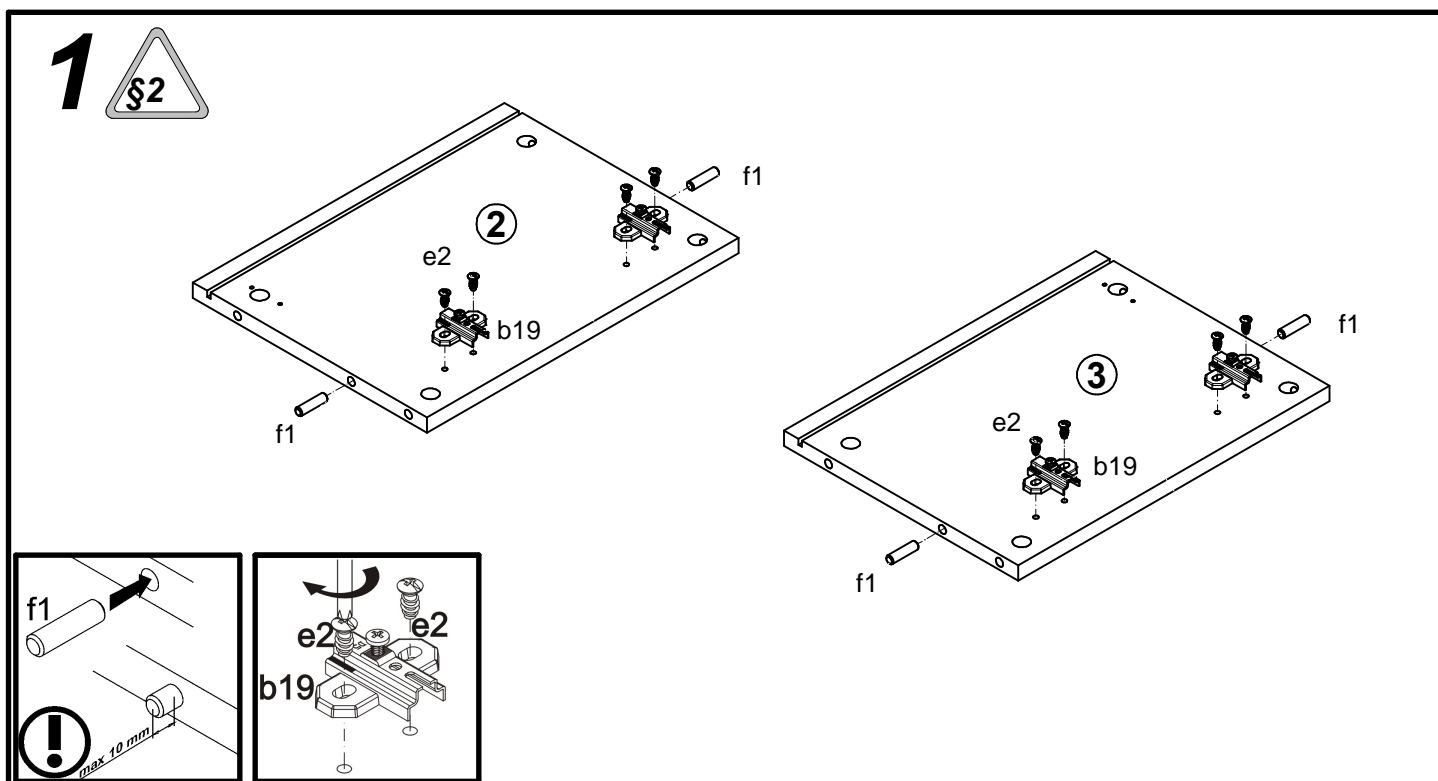
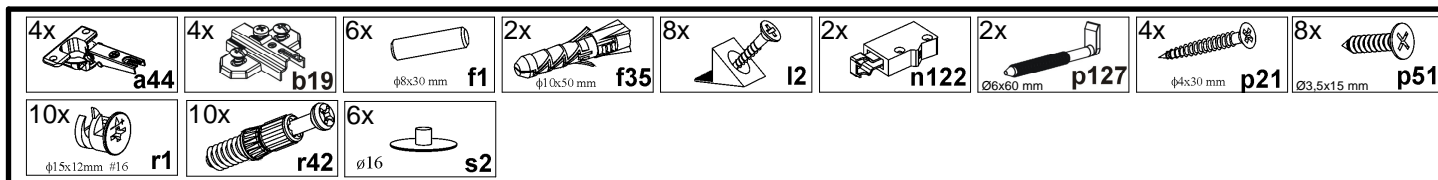
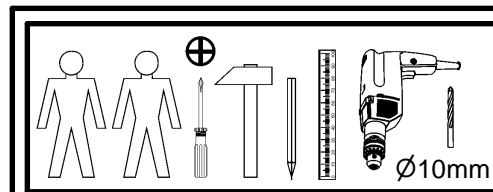
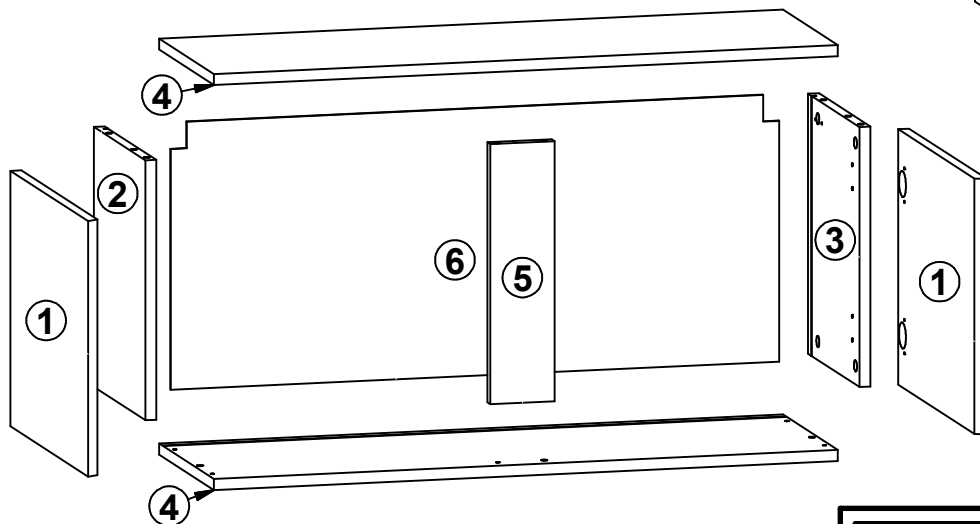
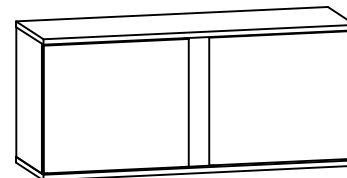


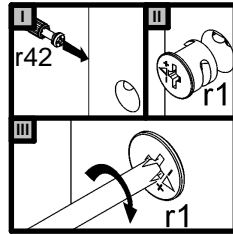
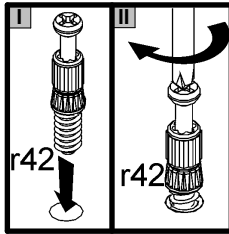
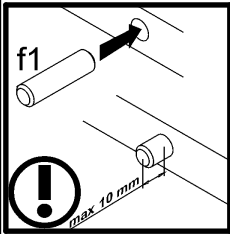
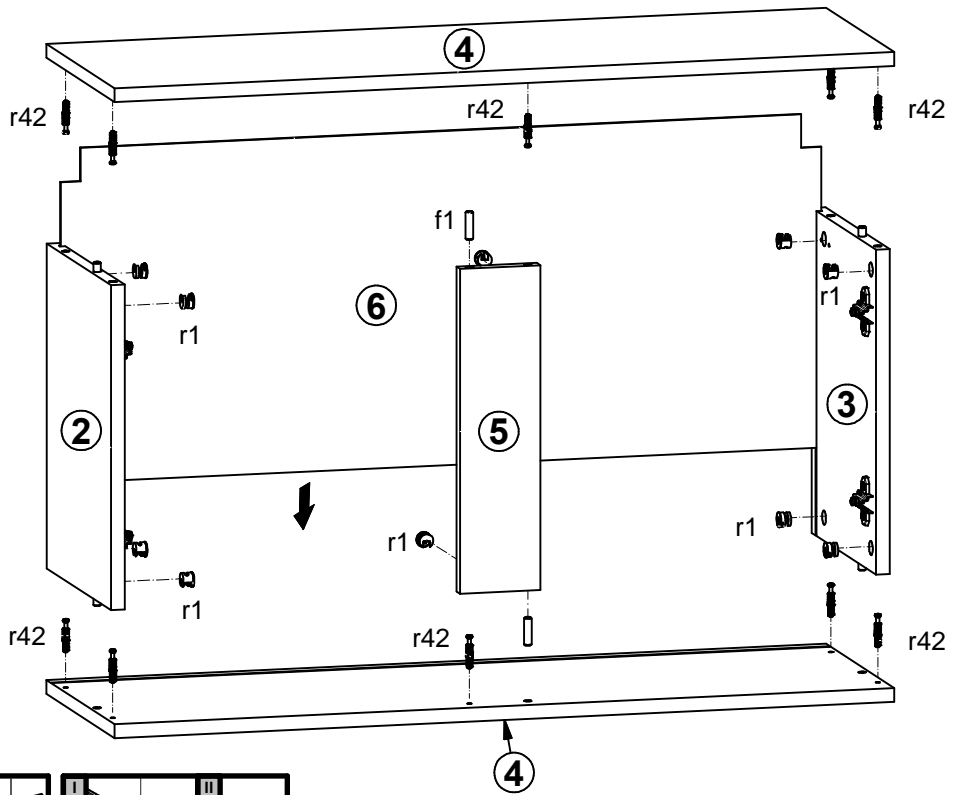
# GRAPHIC

S202-SFW2D/86/38

A	B	C	D
1	S202-013	344	398
2	S202-136	350	263
3	S202-137	350	263
4	S202-230	855	280
5	S202-429	350	88
6	S202-911	360	834



# 2



# 3

