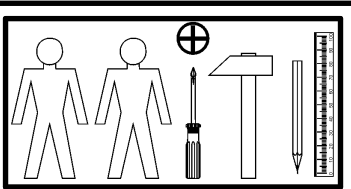
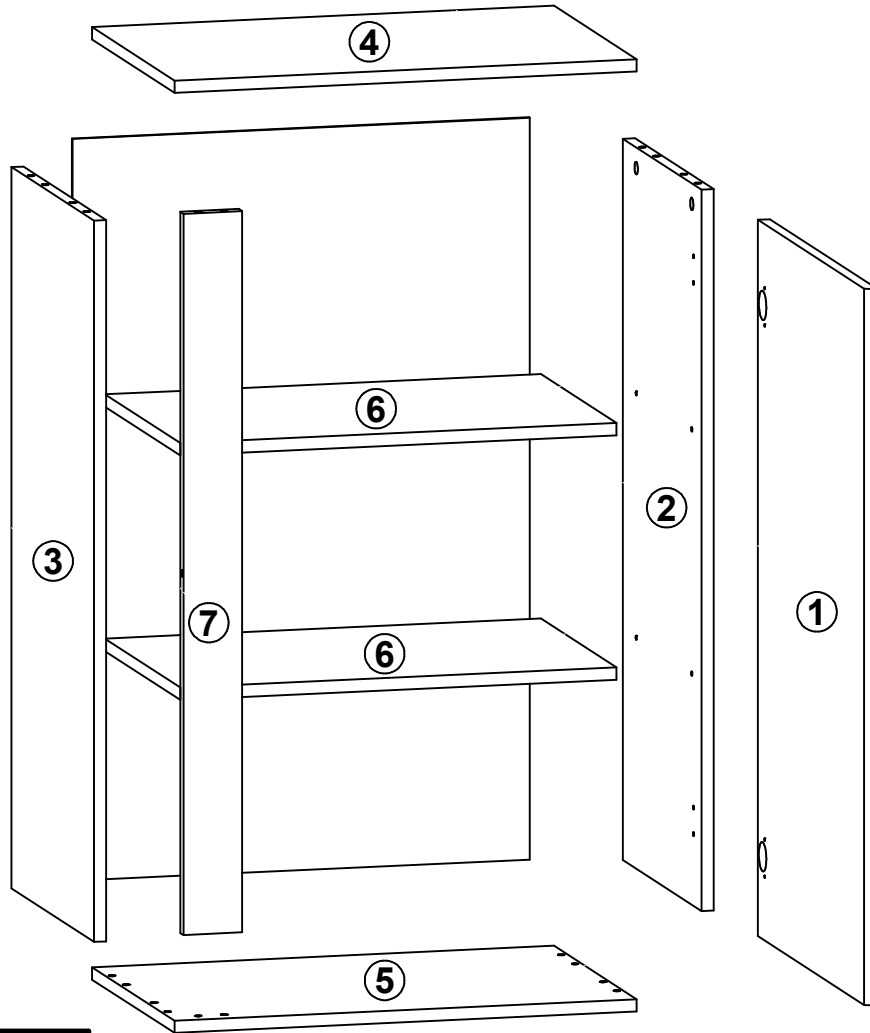
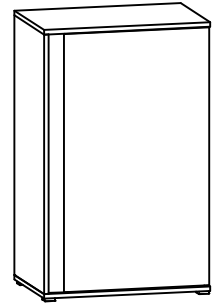


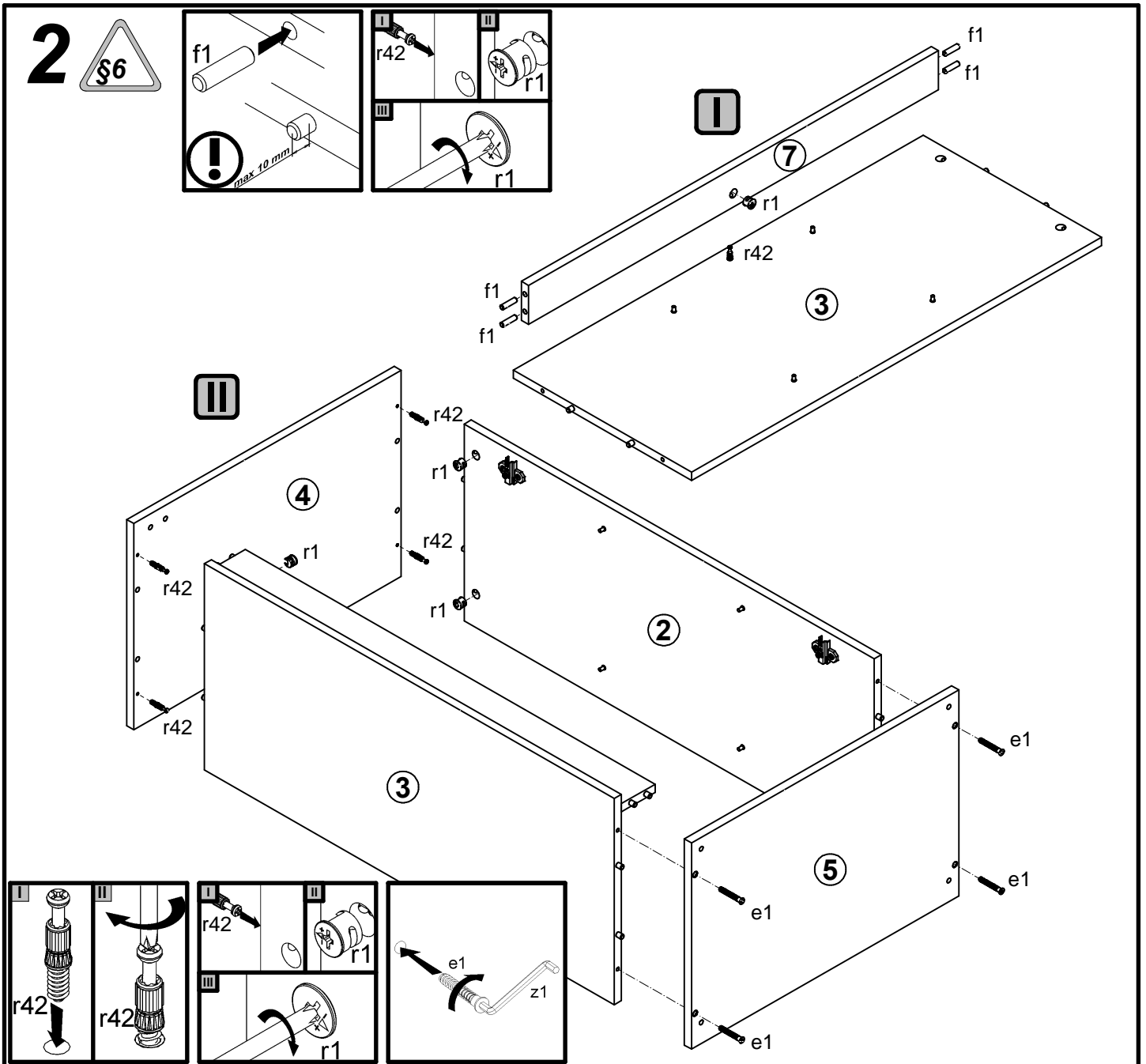
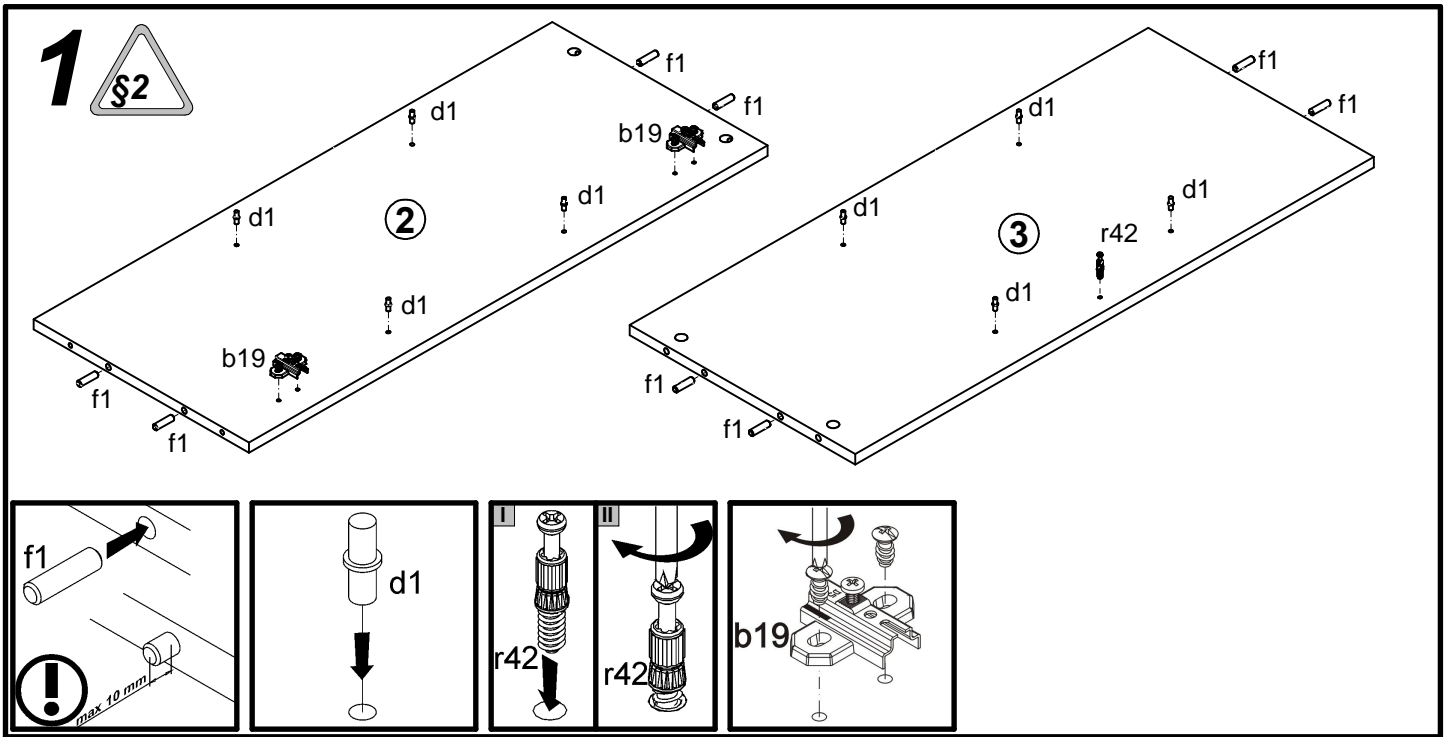
GRAPHIC

S202-KOM1DP

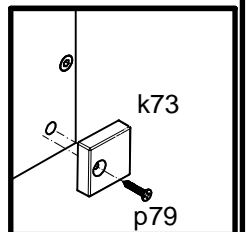
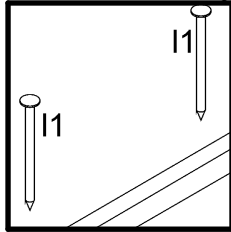
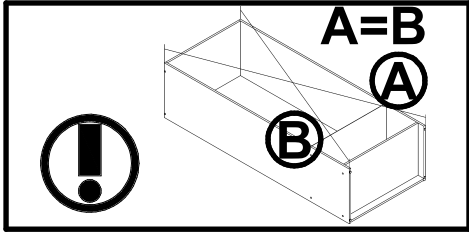
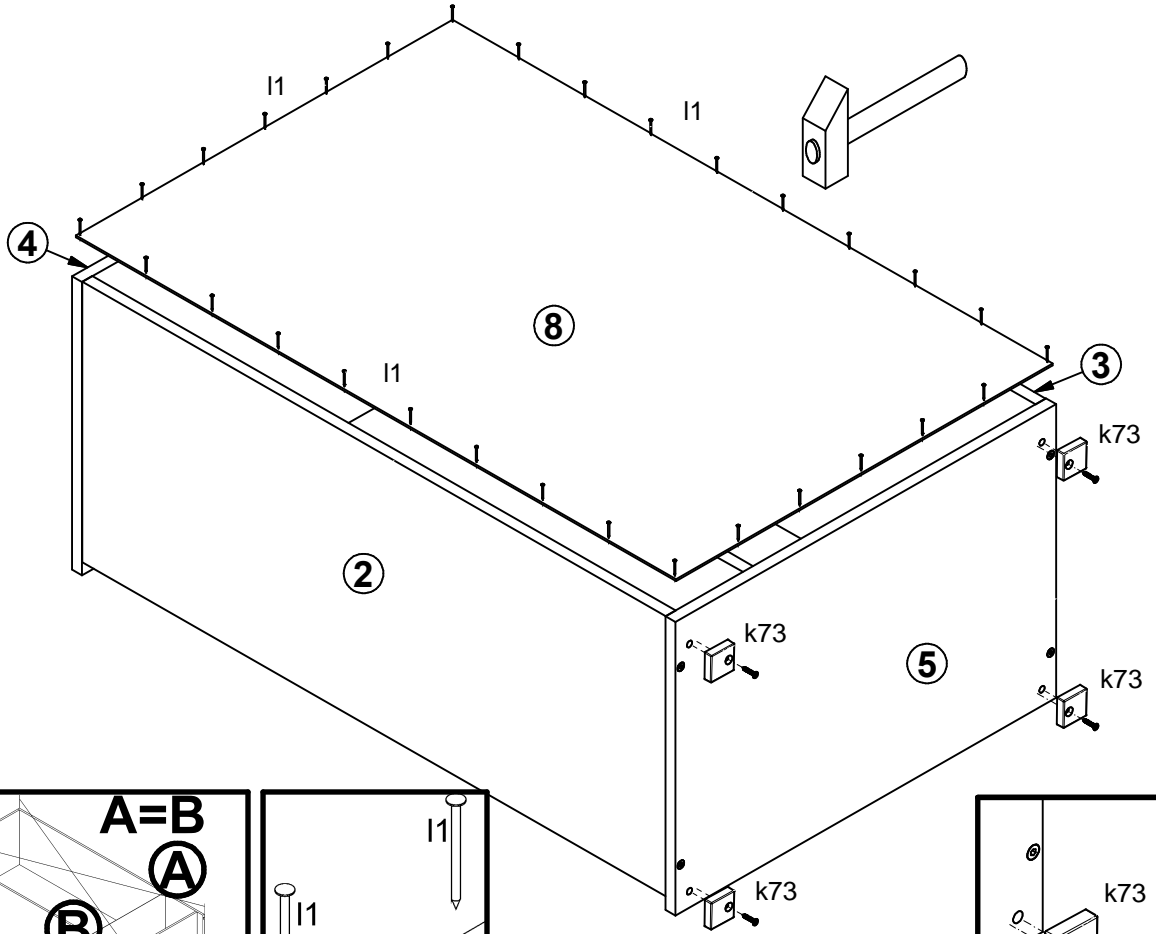
A	B	C	D
1	S202-005	868	498
2	S202-109	874	363
3	S202-111	874	380
4	S202-211	570	380
5	S202-212	570	380
6	S202-309	538	348
7	S202-430	874	72
8	S202-904	899	564



2x a44	2x b19	8x ø5x17 mm d1	4x ø7x50 mm e1	12x ø8x30 mm f1	4x k73	35x l1	4x ø3.5x15 mm p51	4x ø3.5x20 mm p79
5x ø15x12 mm #16 r1	5x r42	4x ø16 s2	1x z1	1x n26/1	1x ø3.5x16 mm p38			



3



4

