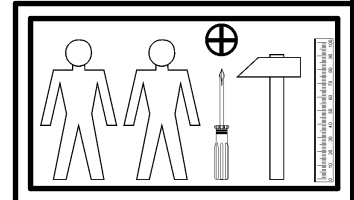
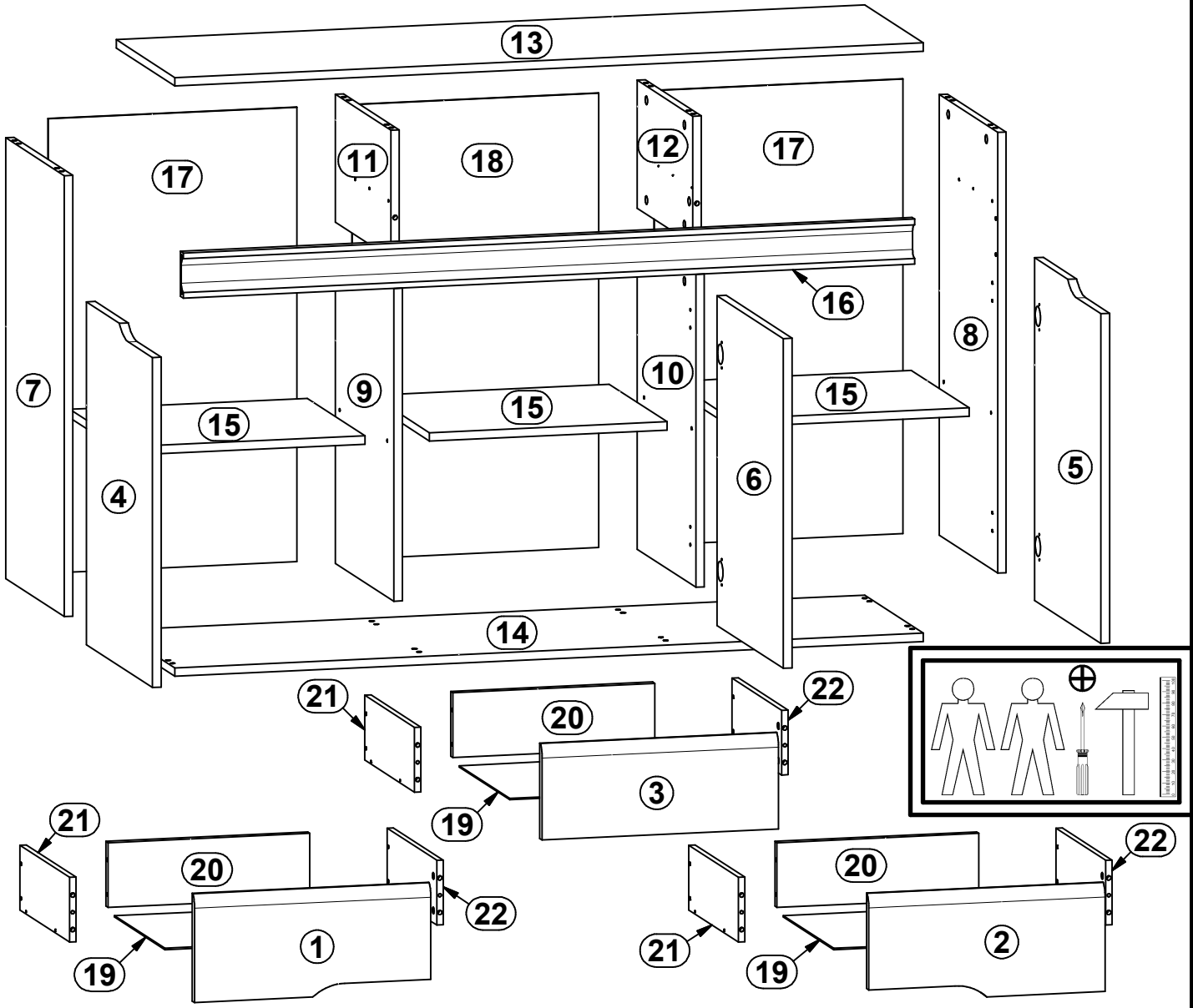
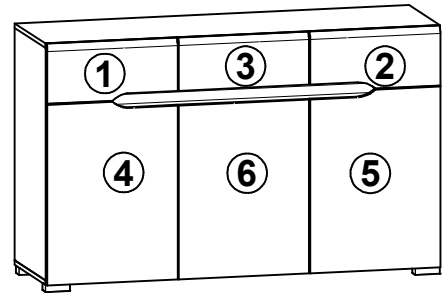
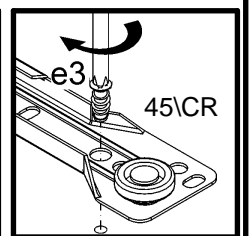
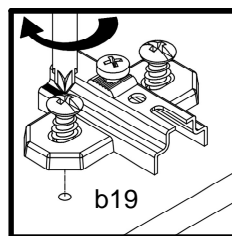
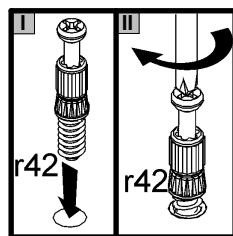
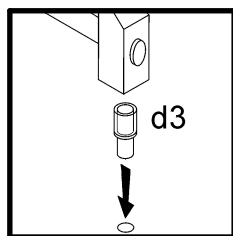
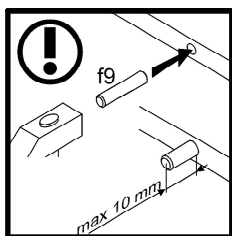
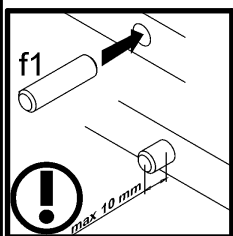
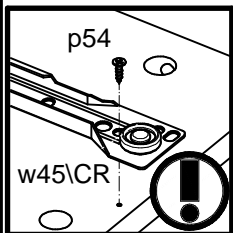
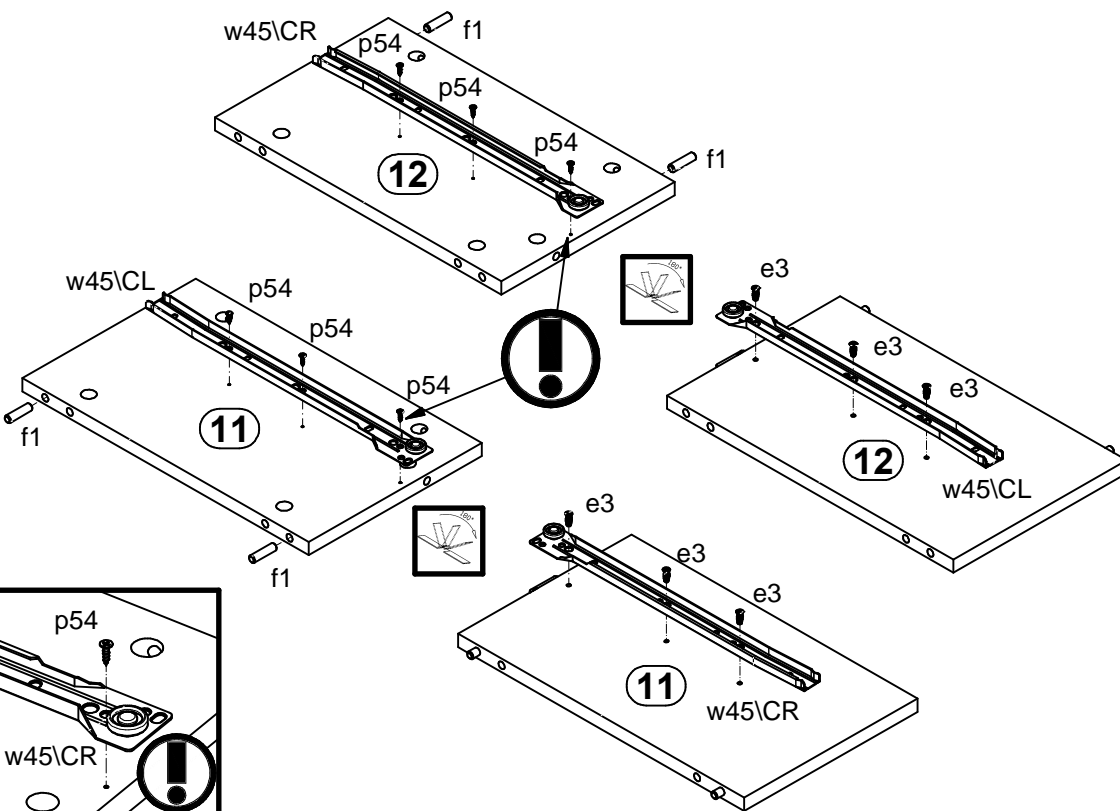
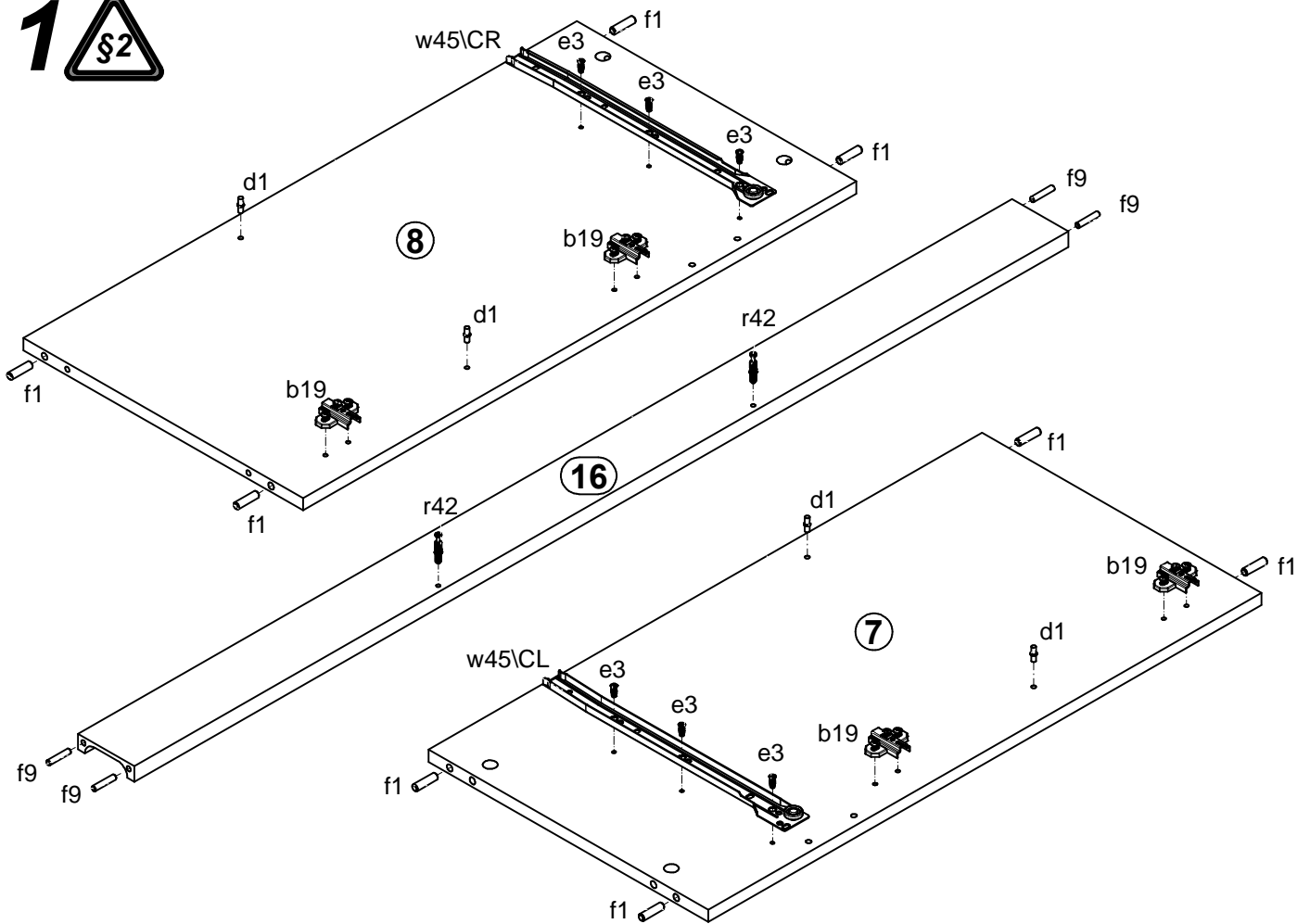


A	B	C	D	A	B	C	D		
1	S314-001	446	200	3/3	12	S314-106	227	375	1/3
2	S314-002	446	200	3/3	13	S314-201	1351	395	1/3
3	S314-003	446	177	3/3	14	S314-202	1351	395	1/3
4	S314-004	446	608	3/3	15	S314-301	429	390	1/3
5	S314-005	446	608	3/3	16	S314-571	1320	80	2/3
6	S314-006	446	585	3/3	17	S314-901	806	449	3/3
7	S314-101	782	395	1/3	18	S314-902	806	445	3/3
8	S314-102	782	395	1/3	19	S314-903	403	355	1/3
9	S314-103	555	395	1/3	20	ZS3-5513	381	120	1/3
10	S314-104	555	395	1/3	21	ZS4-501	350	120	1/3
11	S314-105	227	375	1/3	22	ZS4-502	350	120	1/3

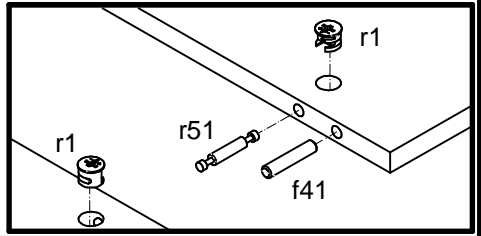
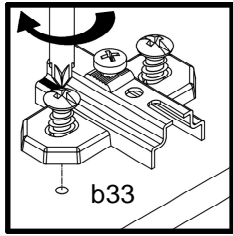
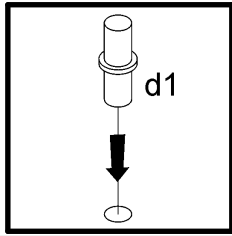
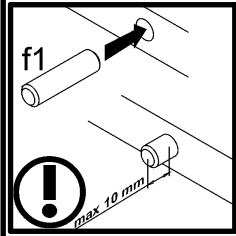
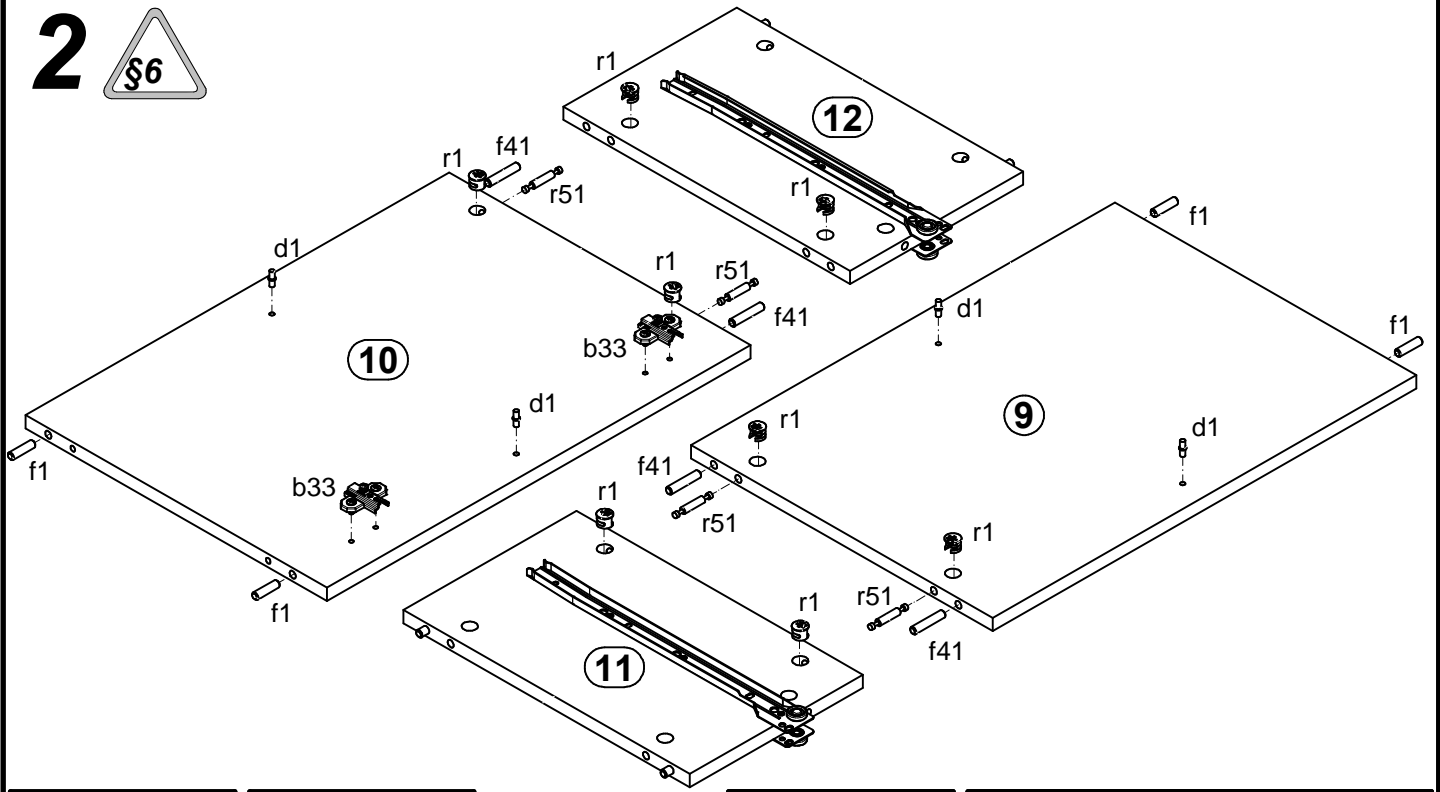


4x a44	2x a68	4x b19	2x b33	12x Ø5x17 mm d1	8x Ø7x50 mm e1	12x Ø5x9 mm e19	12x Ø6x13 mm e3	16x Ø8x30 mm f1
12x Ø6.5x40 mm f25	4x Ø8x40 mm f41	10x Ø6x30 mm f9	6x 84x40/25 mm k77	80x l1	12x Ø4x25 mm p36	9x Ø3.5x16 mm p38	12x Ø3.5x15 mm p51	6x Ø3x12 mm p54
18x Ø15x12 mm #16 r1	12x Ø12x10.5 mm #12 r15	22x r42	4x r51	3x 350 mm w45\CL	3x 350 mm w45\CR	3x 350 mm w45\DL	3x 350 mm w45\DR	4x Ø16 s2
1x z1	1x n26\1	1x Ø3.5x16 mm p38						

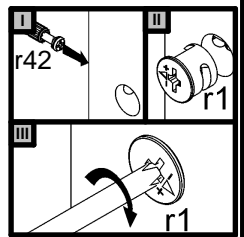
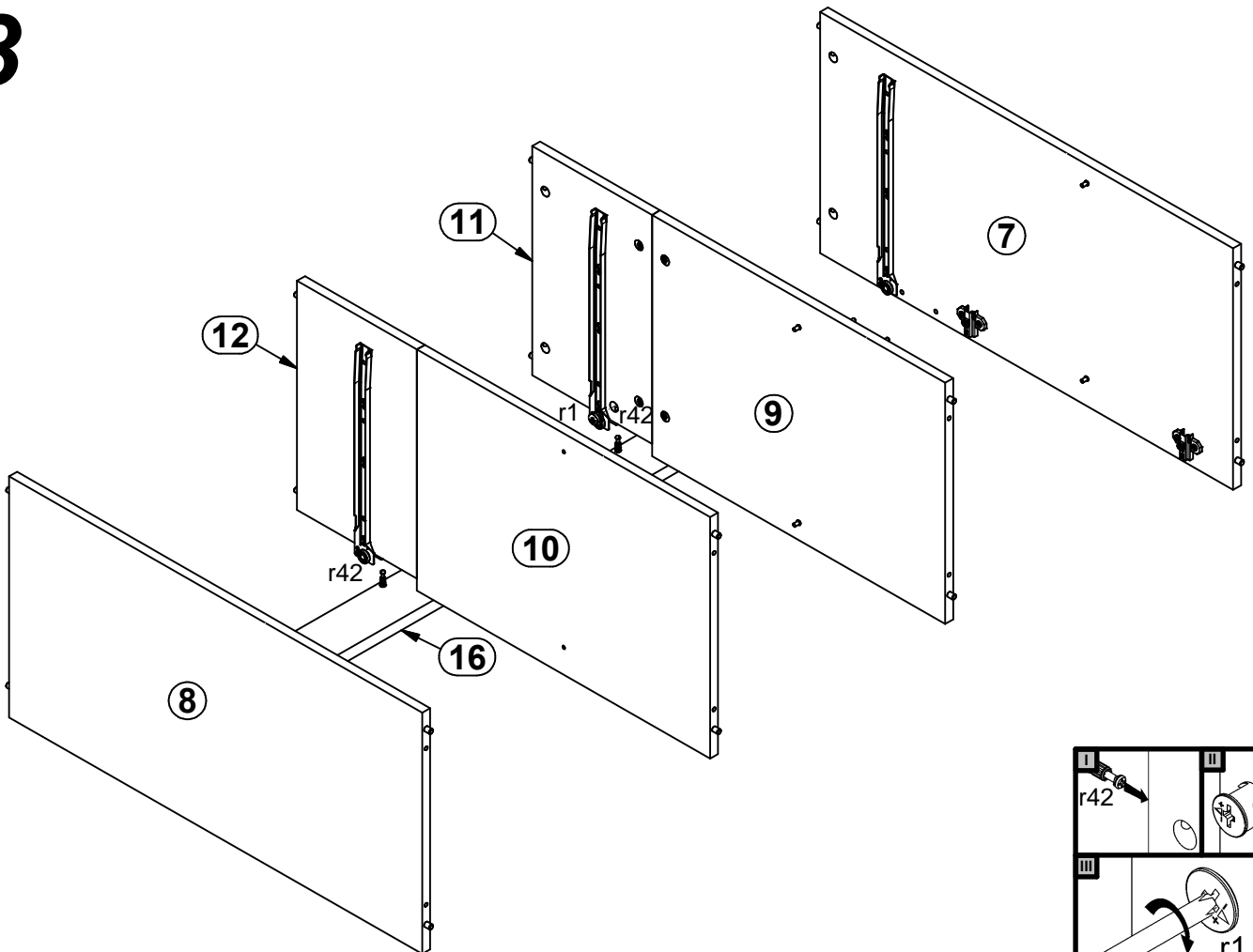
1 



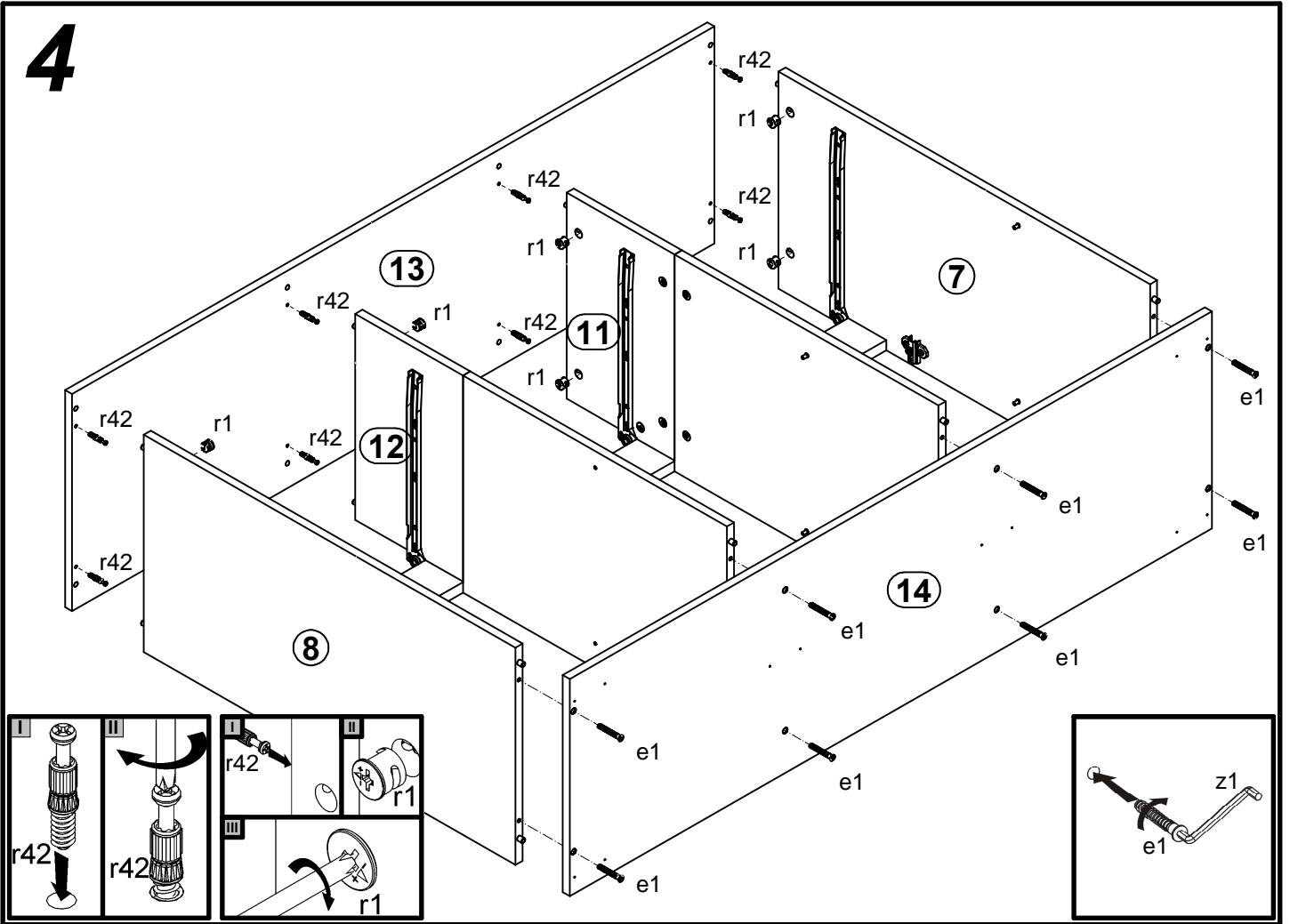
2



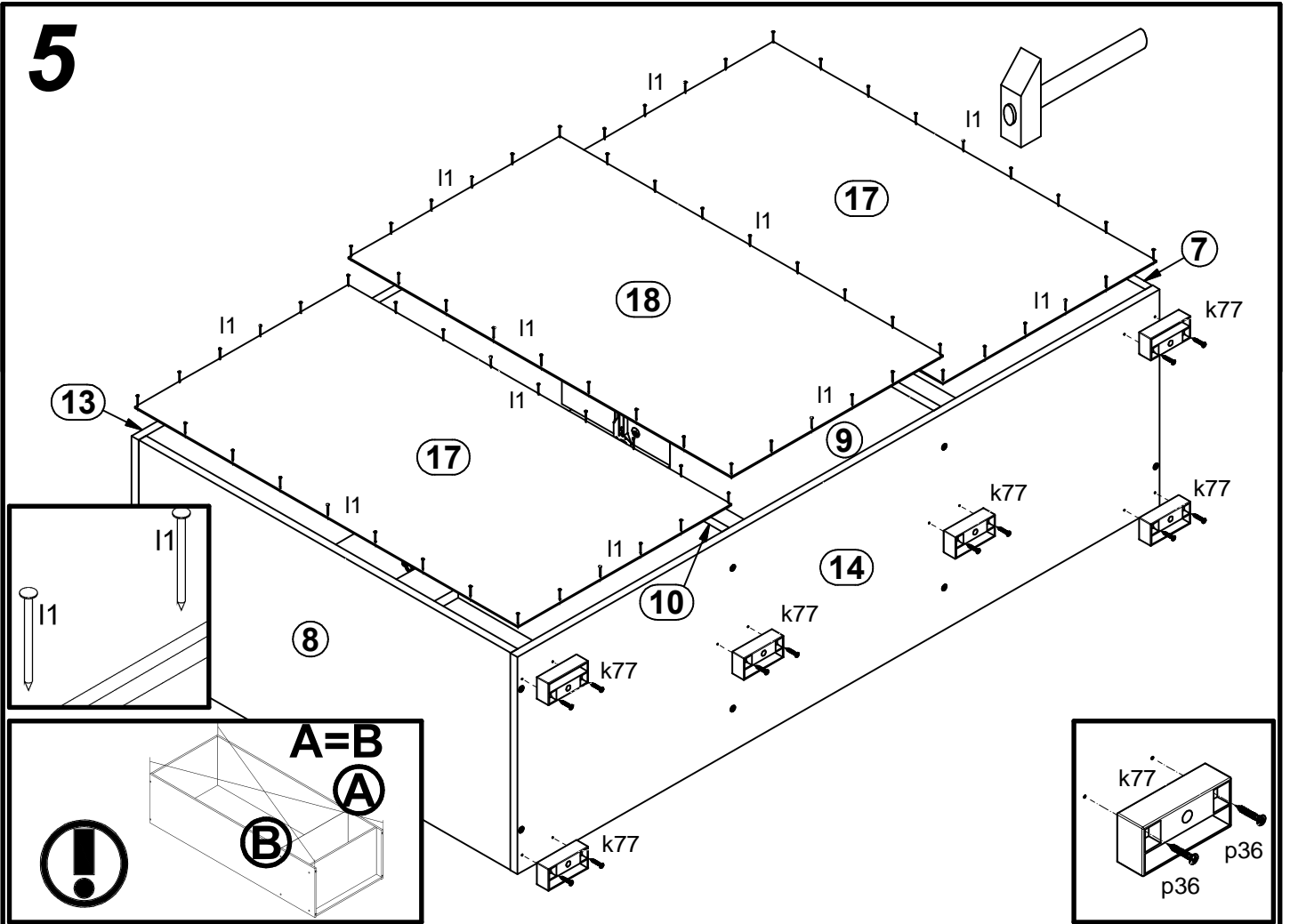
3



4

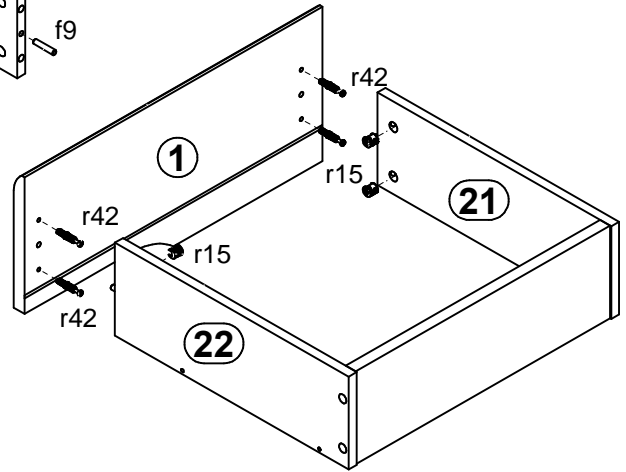
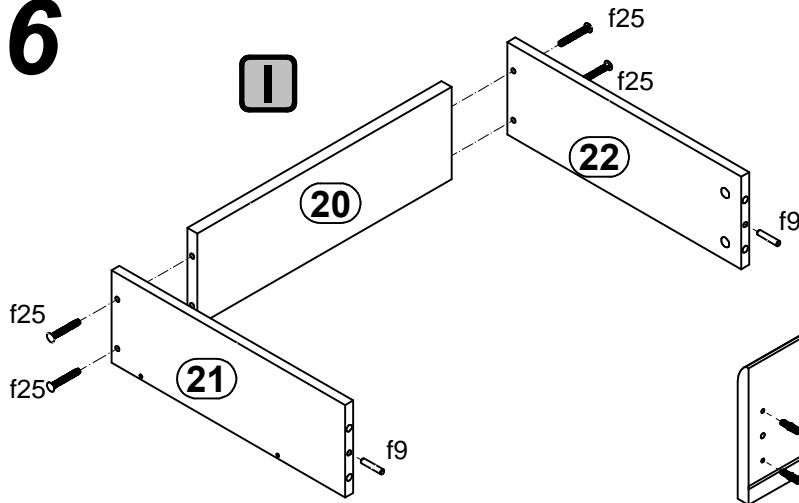


5

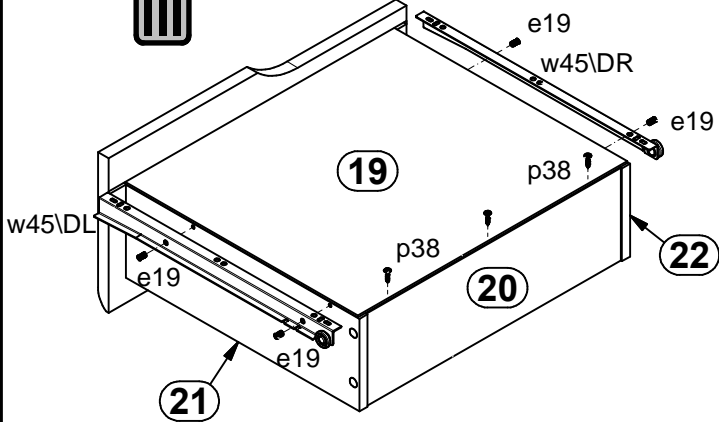


6

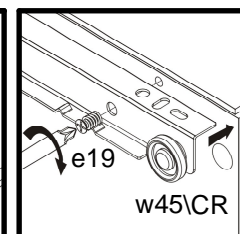
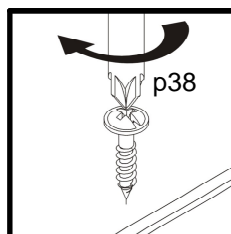
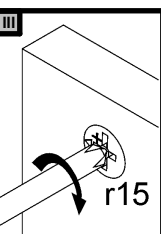
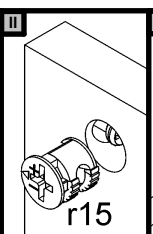
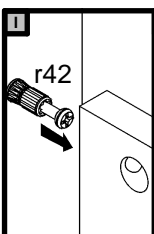
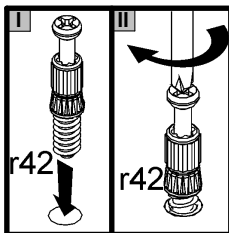
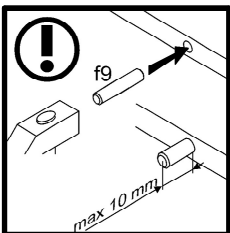
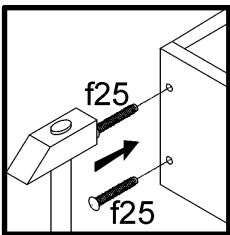
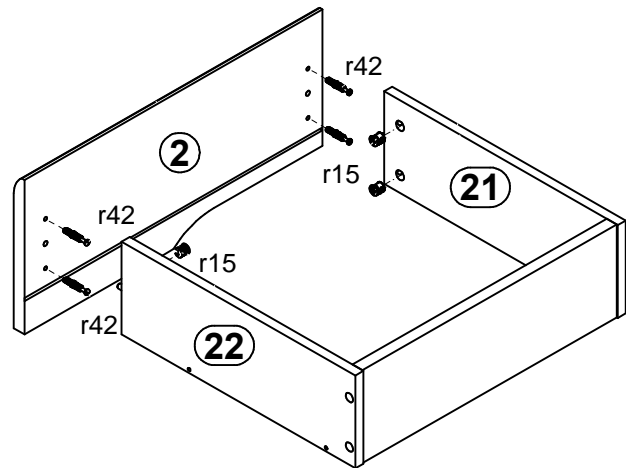
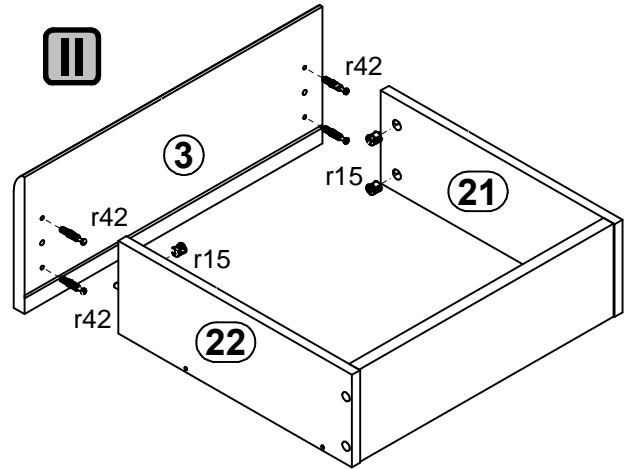
I



III



III



7

