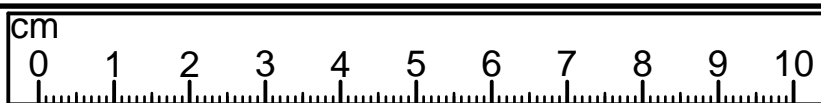
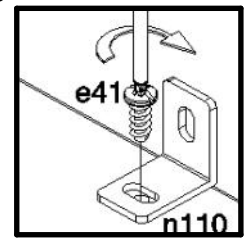
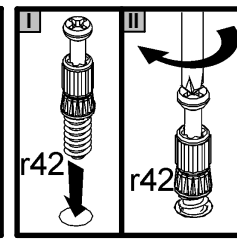
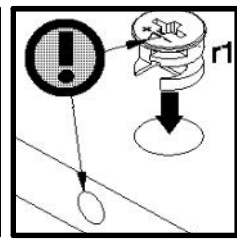
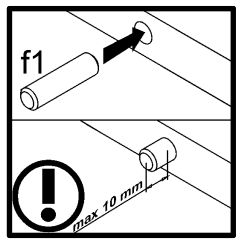
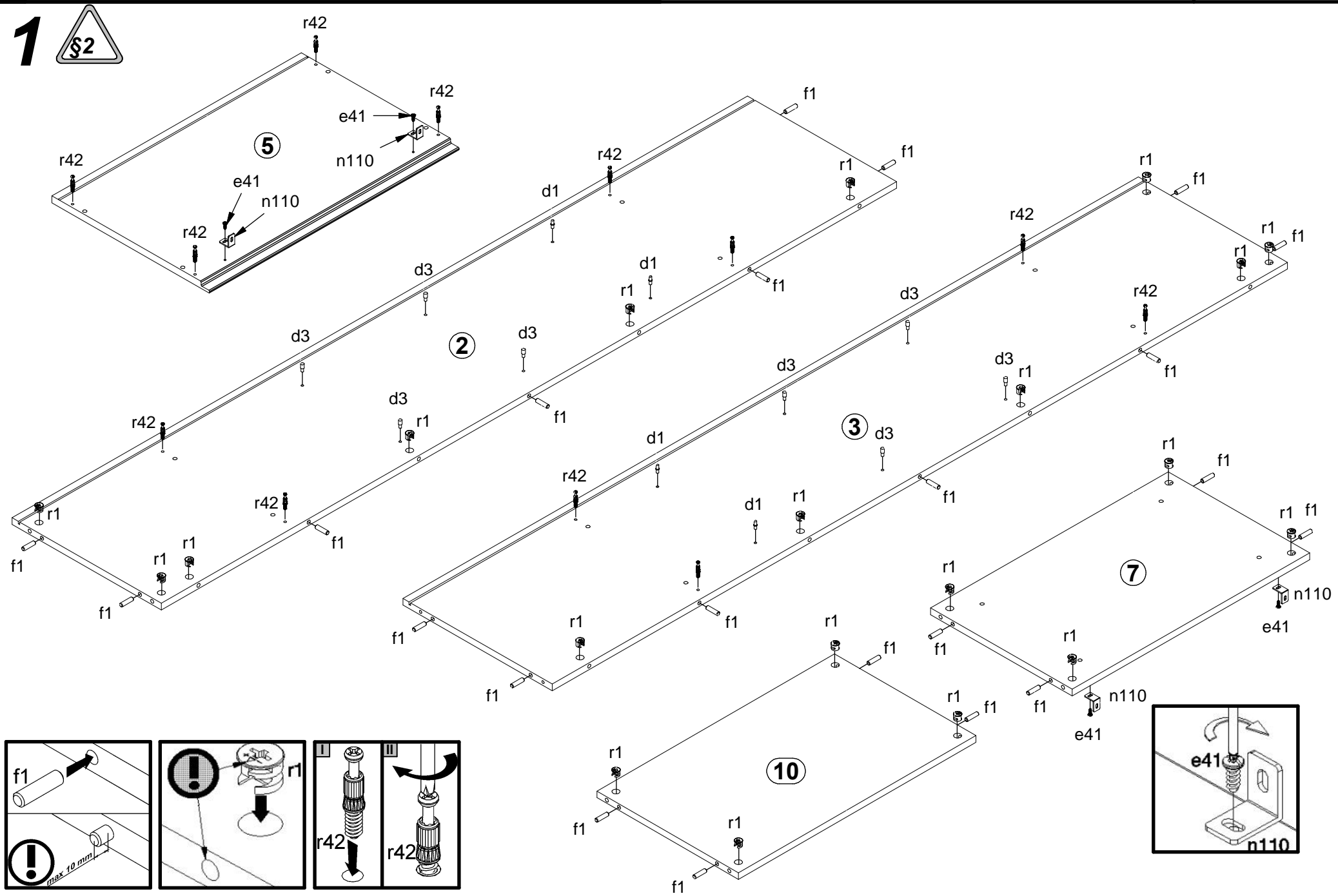


		§1		§11	
A	B	C (mm)		D	
1	S230-003	203	446	2/2	
2	S230-103	1922	390	2/2	
3	S230-104	1922	390	2/2	
4	S230-105	398	370	1/2	
5	S230-203	652	412	1/2	
6	S230-204	652	412	1/2	
7	S230-302	621	370	1/2	
8	S230-303	620	355	1/2	
9	S230-304	620	355	1/2	
10	S230-307	621	370	1/2	
11	S230-551	1010	445	2/2	
12	S230-572	1942	100	2/2	
13	S230-705	410	446	2/2	
14	S230-7701	203	446	2/2	
15	S230-9902	1932	631	2/2	
16	WSP-970	423	358	1/2	
17	WSQ4-505	350	140	1/2	
18	WSQ4-506	350	140	1/2	
19	WTQ-5072	413	127	1/2	
20	qb20\2			1/2	

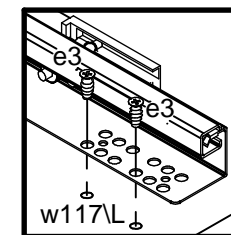
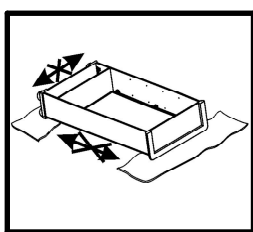
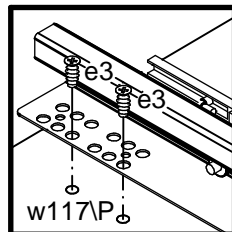
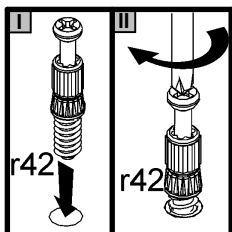
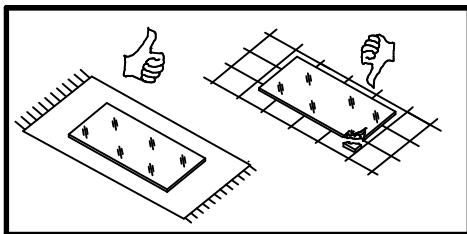
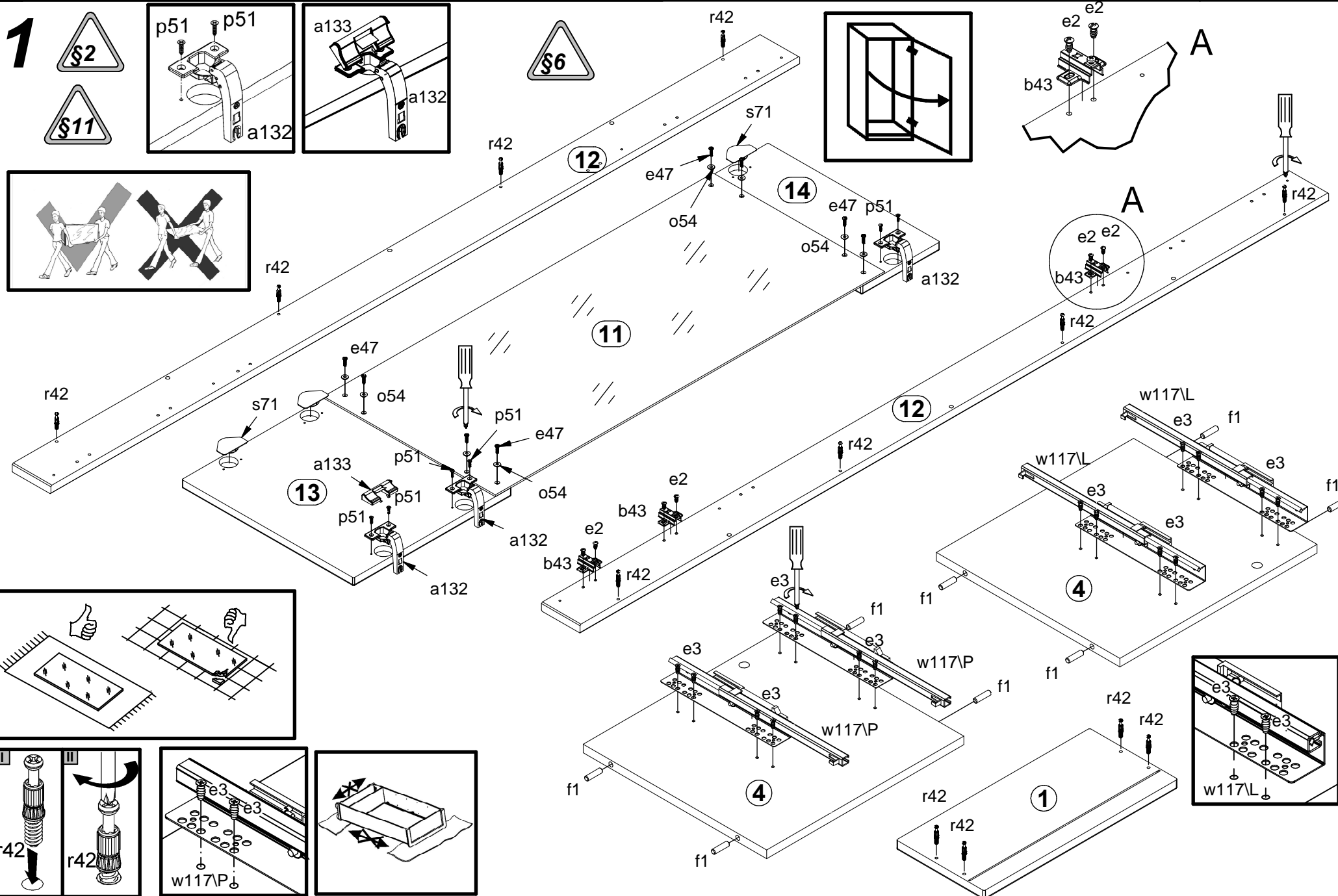
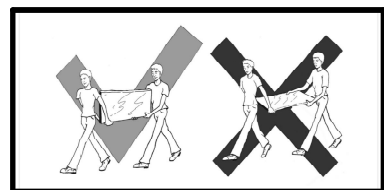
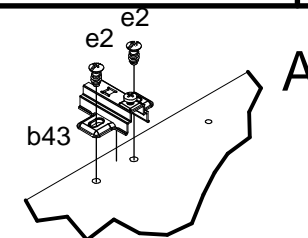
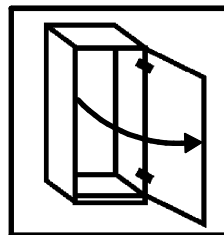
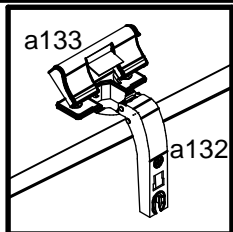
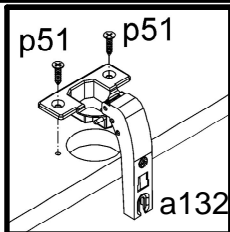


3x a132	1x a133	3x b43	4x Ø5x17 mm d1	8x Ø5x17 mm d3	4x Ø7x50 mm e1	6x Ø6.3x13 mm e2	16x Ø6x13 mm e3	8x Ø5x12 mm e41	8x Ø5x16 mm e47	30x Ø8x30 mm f1	8x Ø6.5x40 mm f25	4x k104
15x l1	20x l2	4x 25x25x16\2 n110	8x Ø5.3/Ø8.3x4.8 mm o54	8x Ø4x30 mm p21	2x Ø3.5x16 mm p25	2x Ø3.5x10 mm p35	9x Ø3.5x16 mm p38	6x Ø3.5x15 mm p51	20x Ø15x12 mm #16 r1	8x Ø12x10.5 mm #12 r15	28x r42	3x Ø35x62x40x10 s71
2x 350 mm t35	2x 350 mm W117\L	2x 350 mm W117\P	14x Ø16 s2	1x z1	1x n26\1							

1 §2

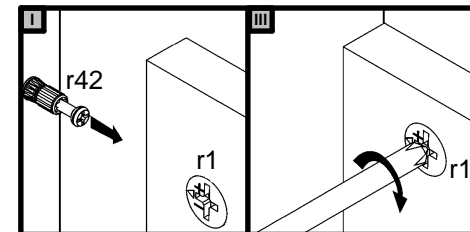


1

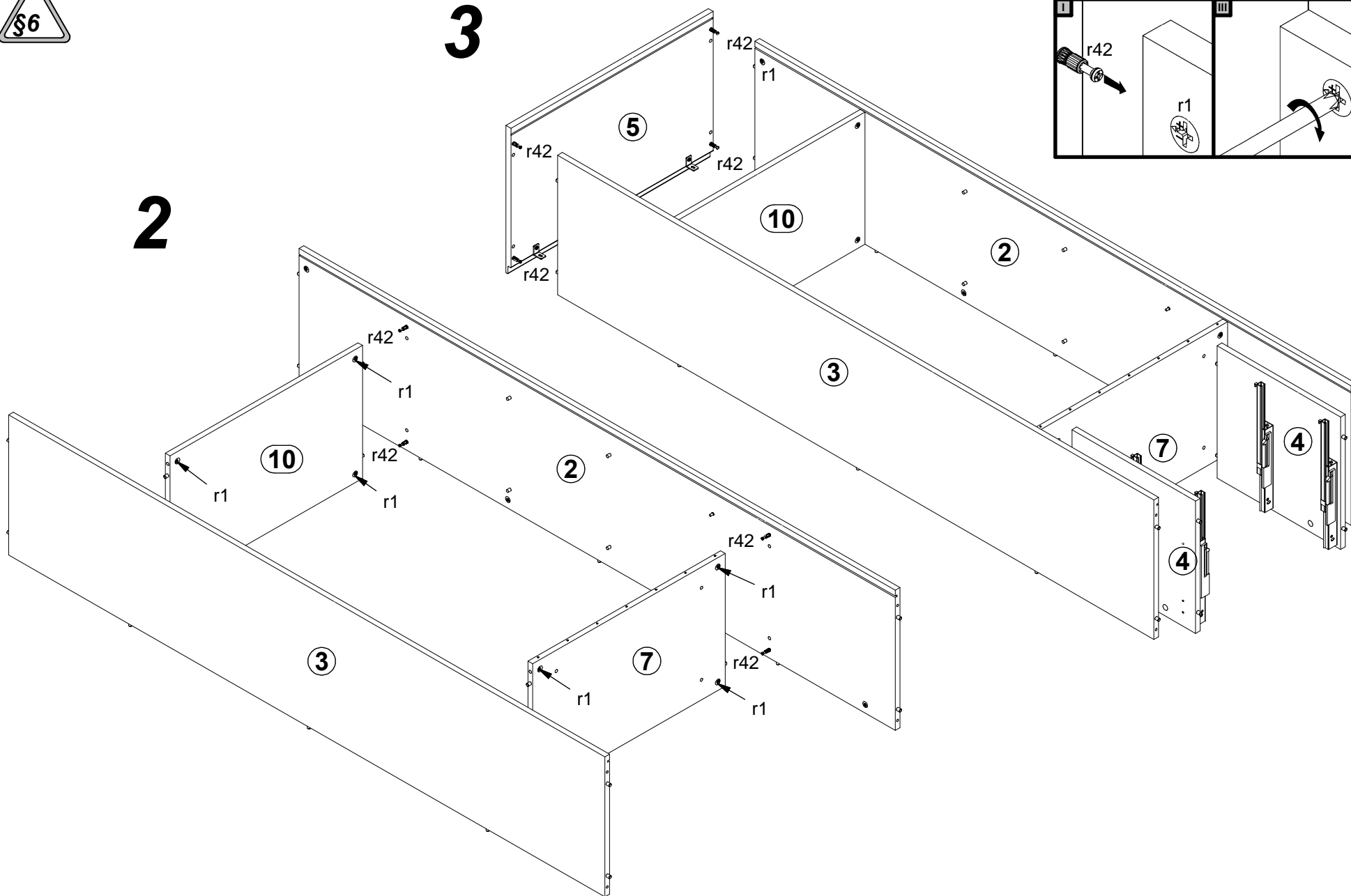




3



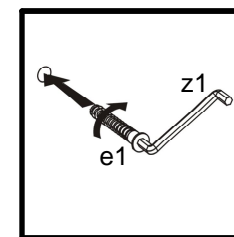
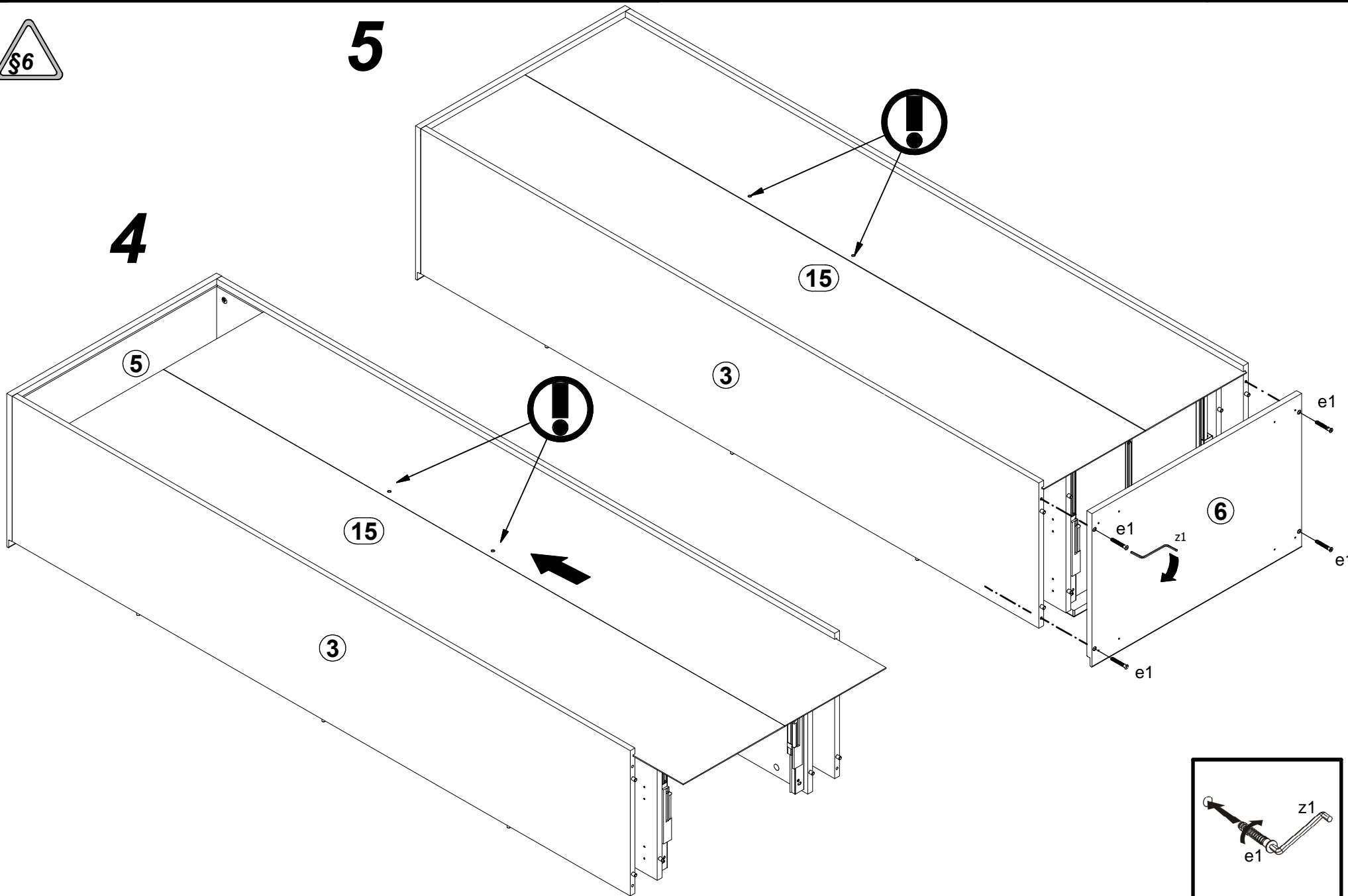
2

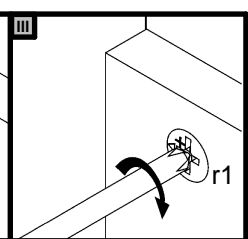
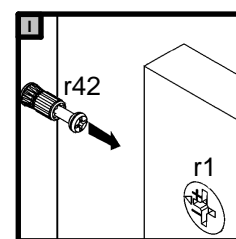
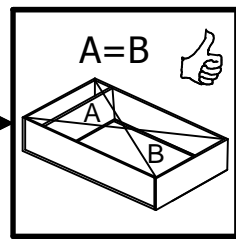
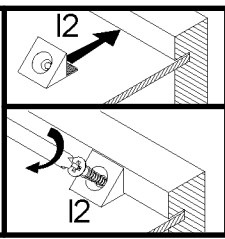
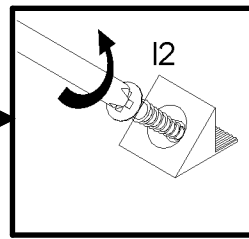
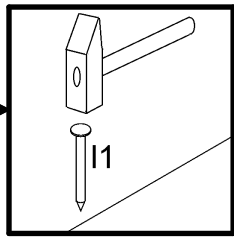
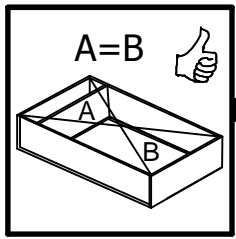




5

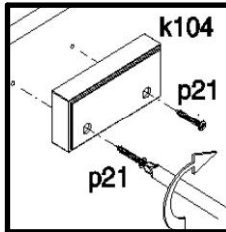
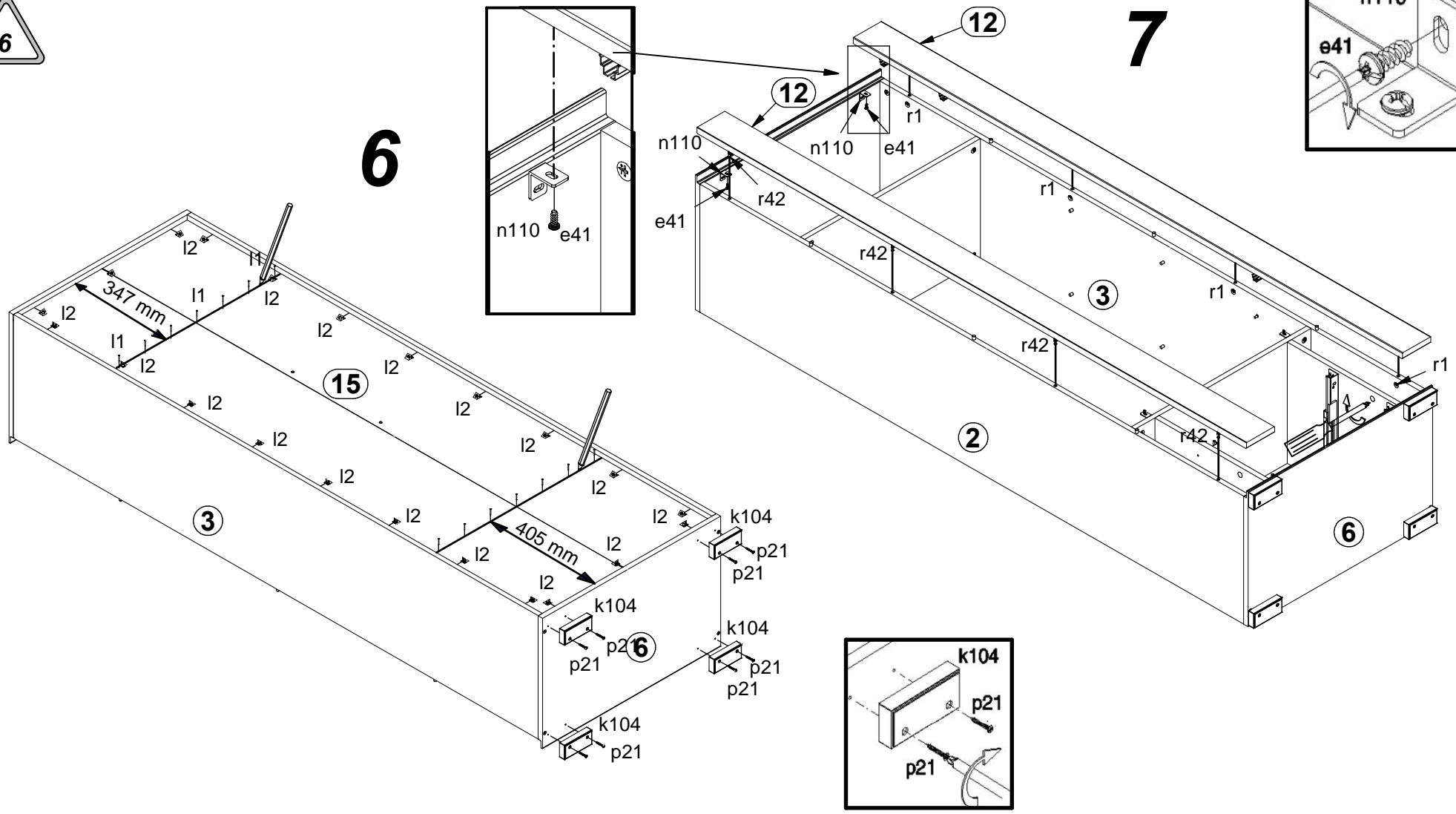
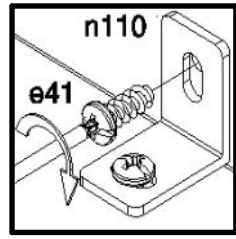
4



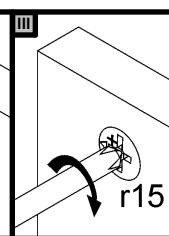
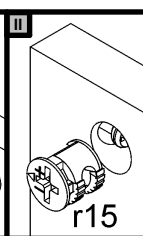
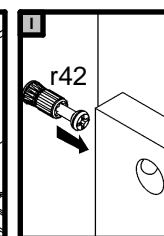
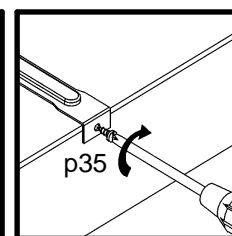
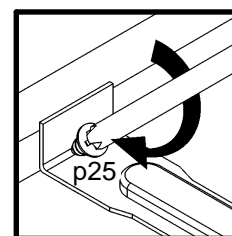
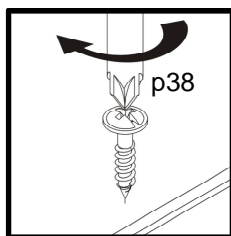
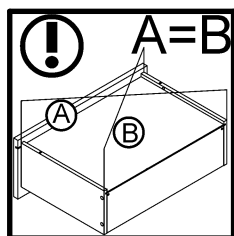
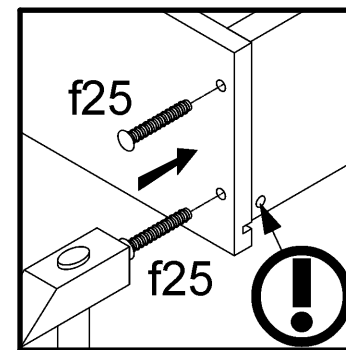
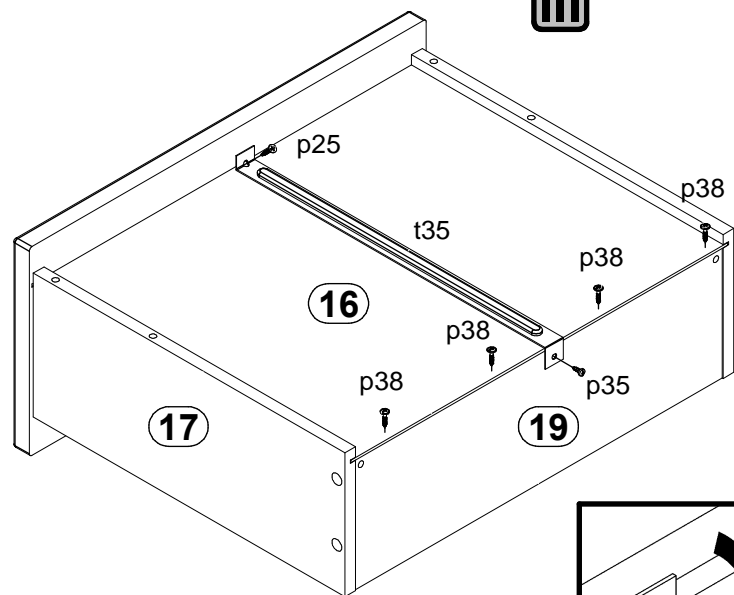
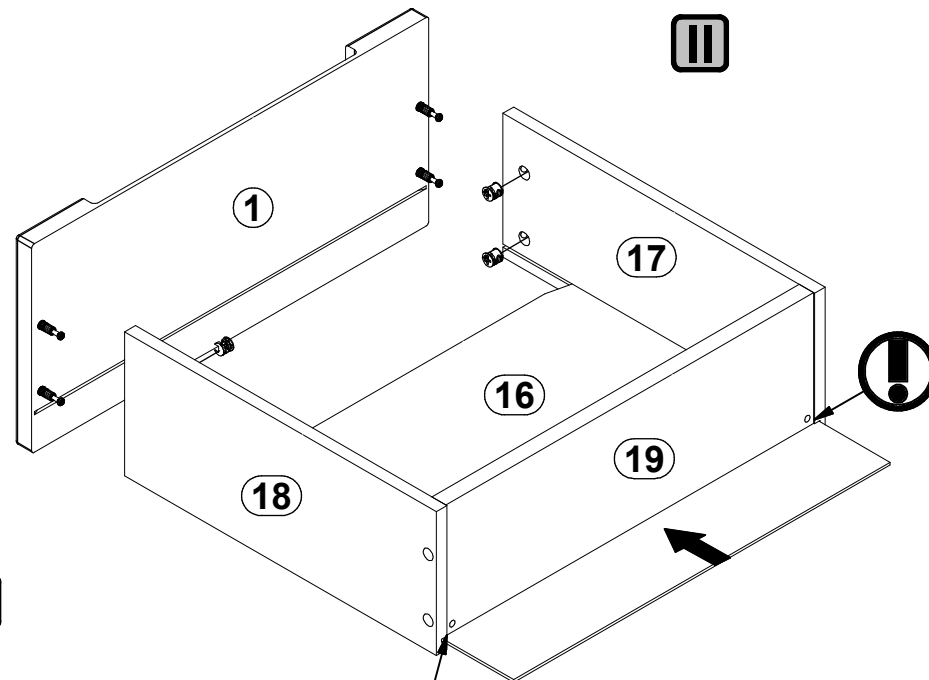
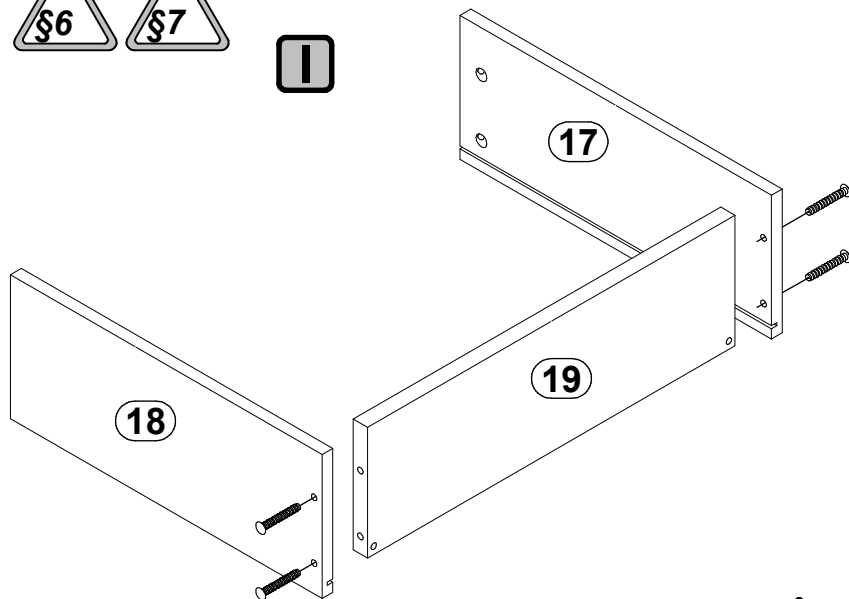


6

7



8



9

