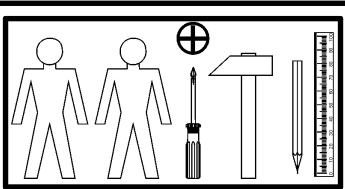
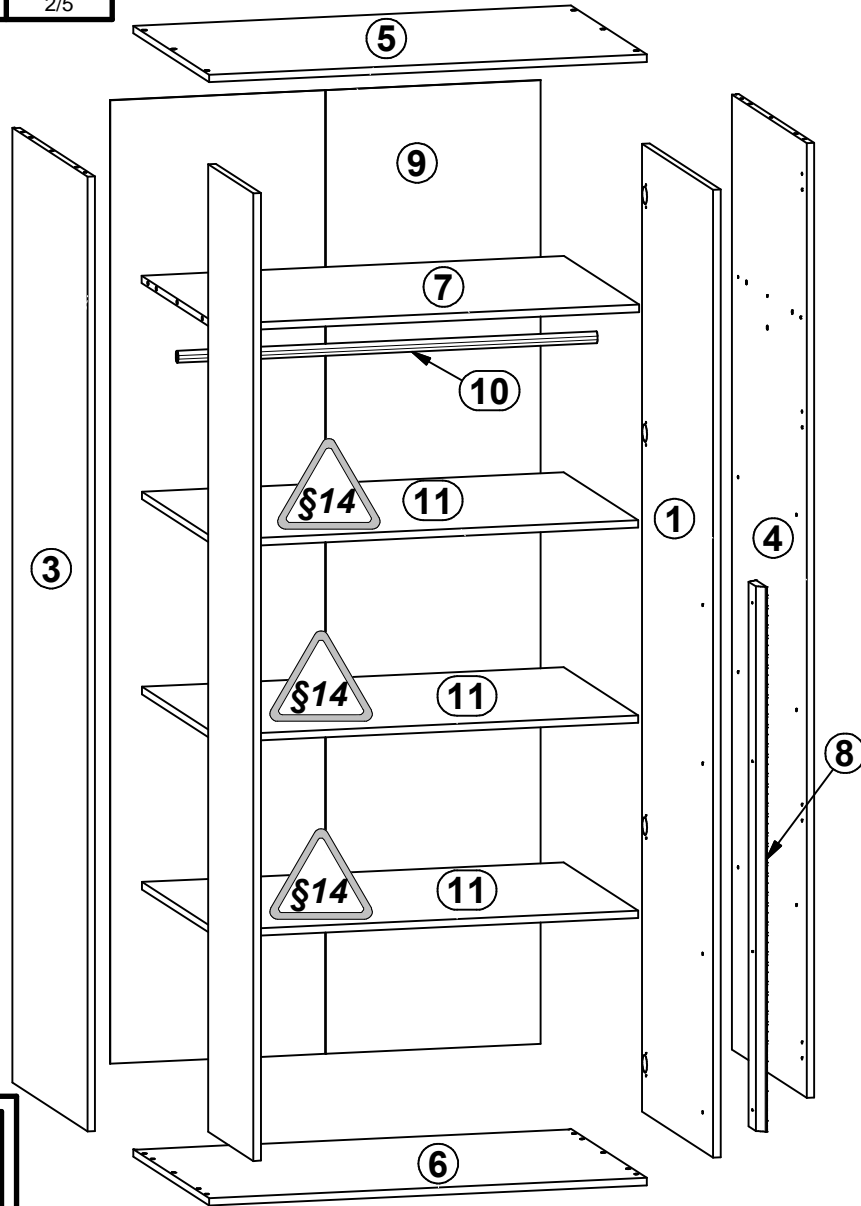
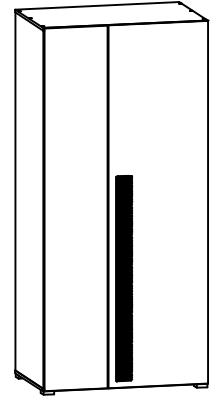


DOMENICA

S190-SZF2D

A	B	C	D
1	S190-005	1954	546
2	S190-008	1954	346
3	S190-113	1928	580
4	S190-114	1928	580
5	S190-209	900	580
6	S190-210	900	580
7	S190-303	868	576
8	S190-552	1100	80
9	S190-911	1946	885
10	dr-862	862	22

A	B	C	D
11	S190-304	867	571



8x a44	8x b19	2x p1 φ3,5x13 mm	12x e1 φ7x50 mm	16x e2 Ø6,3x13 mm	8x e3 Ø6x13 mm	12x f1 φ8x30 mm	4x k82/1	4x k82/2
70x l1	2x n1	6x s2 Ø16	16x p51 Ø3,5x15 mm	4x p113 Ø4x28 mm	6x r1 φ1,5x12mm #16	6x r42	1x z1	1x n26/1
1x p38 φ3,5x16 mm	6x s2 Ø16							

