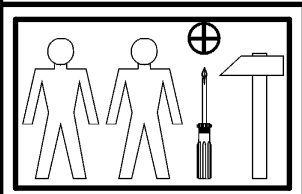
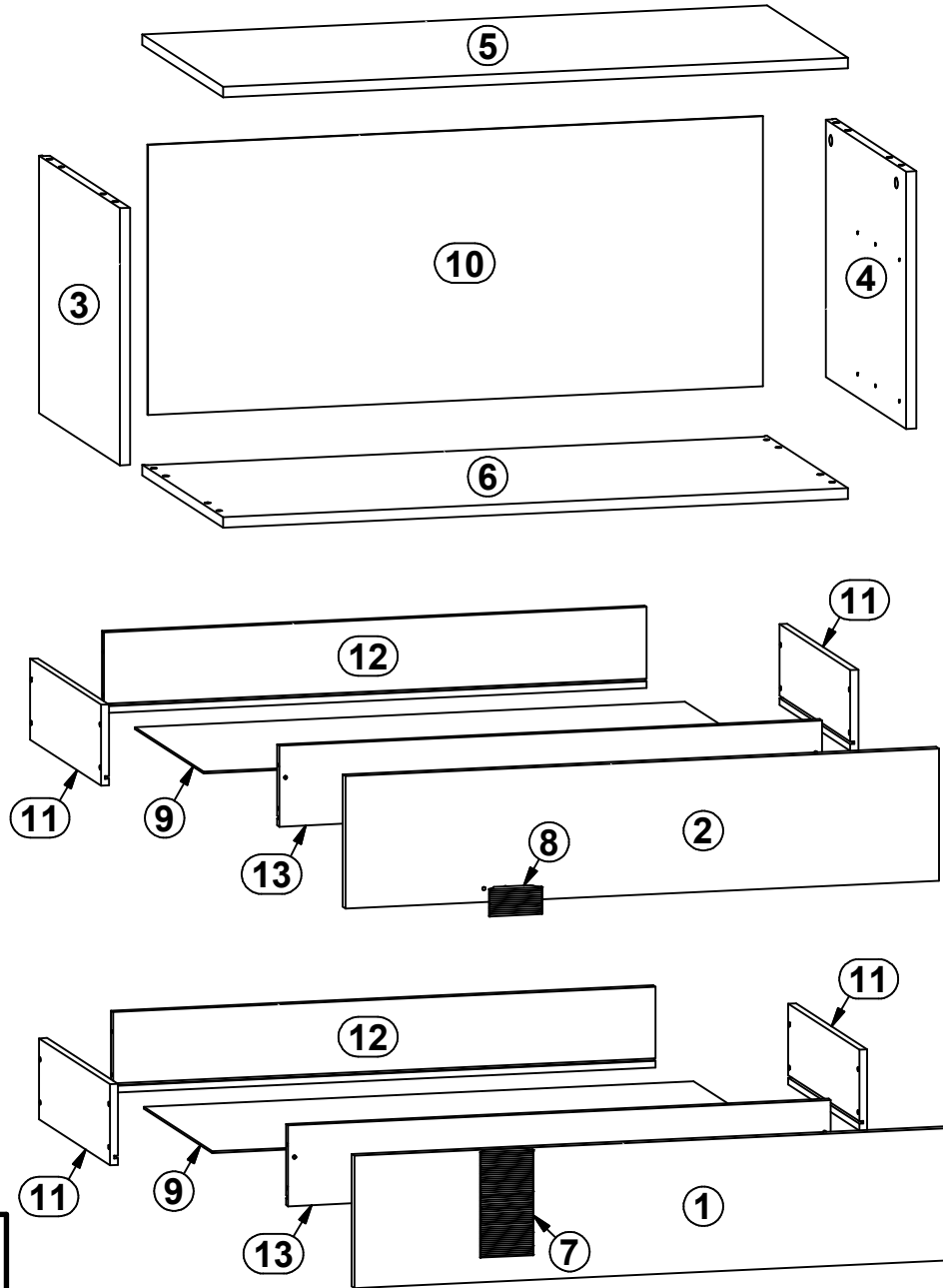
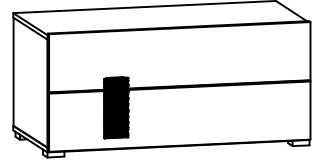


# DOMENICA

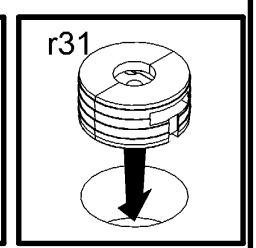
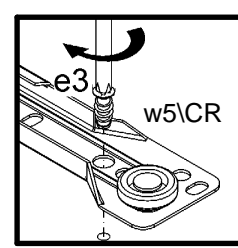
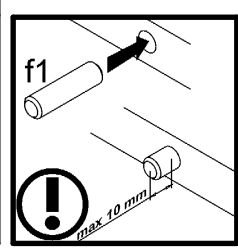
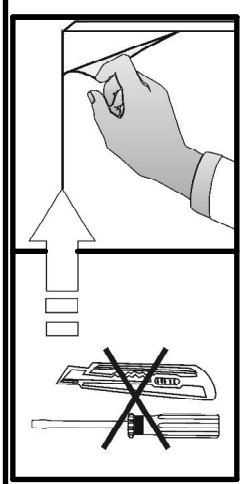
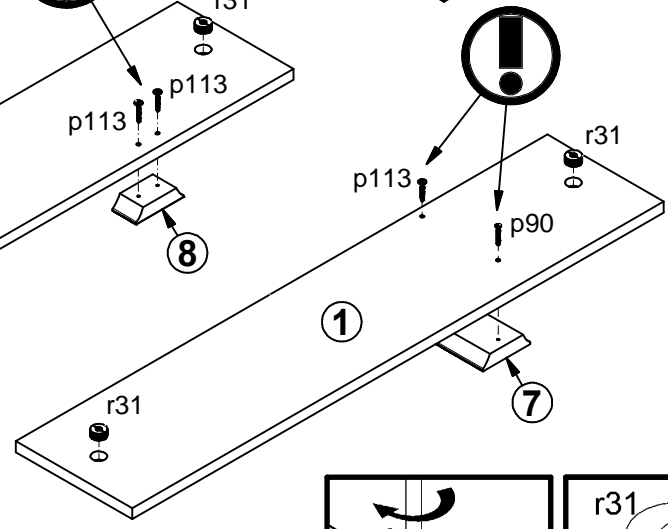
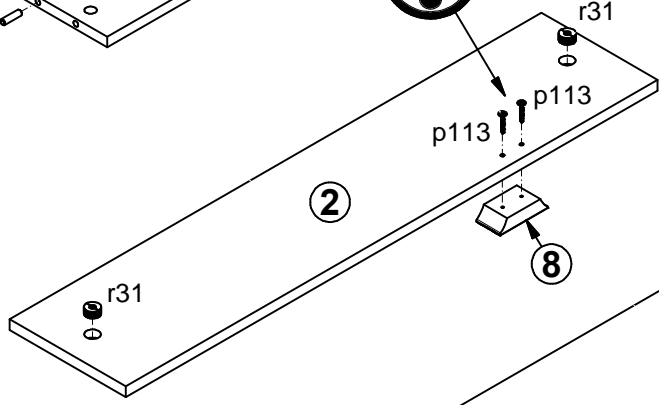
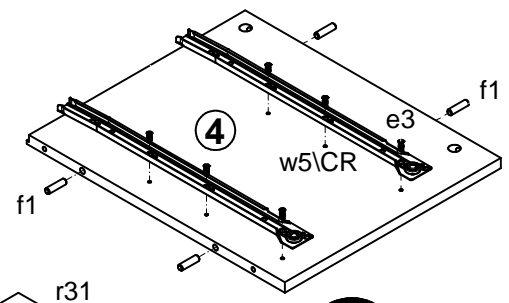
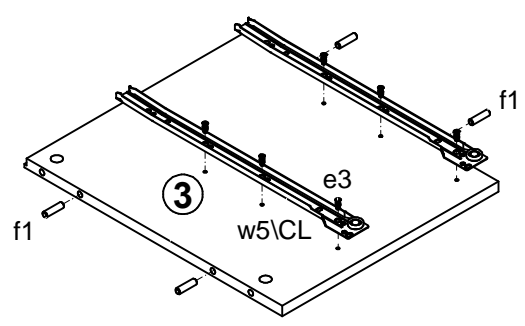
# S190-RTV2S

A	B	C	D	A	B	C	D		
1	S190-006	896	196	3/3	8	S190-555	40	80	2/3
2	S190-013	896	196	3/3	9	S190-915	830	386	1/3
3	S190-107	364	435	1/3	10	S190-916	382	886	1/3
4	S190-120	364	435	1/3	11	ZS1-1536	400	120	1/3
5	S190-213	900	435	1/3	12	ZS1-1576	819	120	1/3
6	S190-214	900	435	1/3	13	ZS1-1577	819	120	1/3
7	S190-553	156	80	2/3					

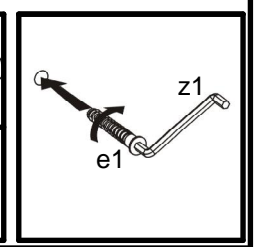
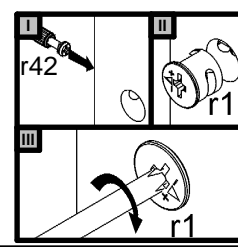
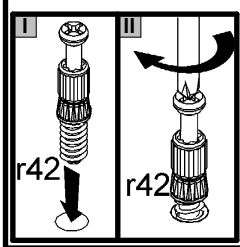
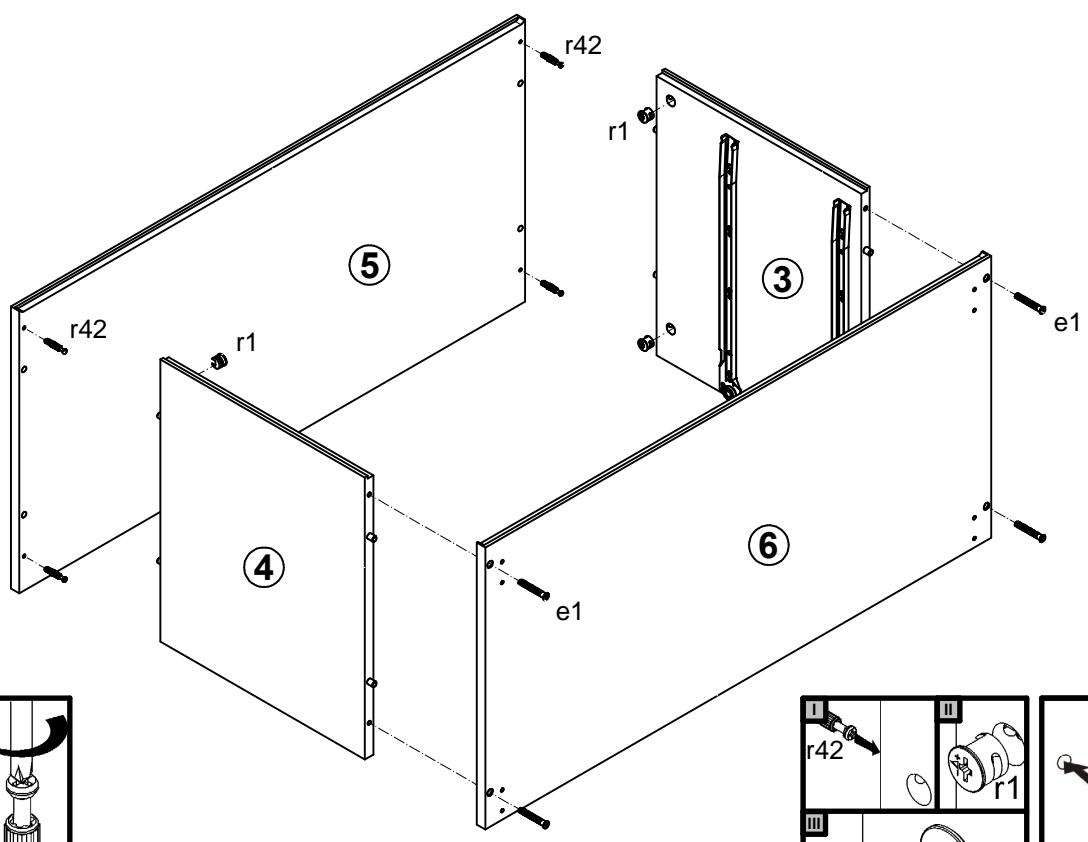


4x Ø7x50 mm e1	20x Ø6x13 mm e3	16x Ø5x50 mm e32	8x Ø8x30 mm f1	4x M4x22 mm j30	4x k82\1	4x k82\2	30x l1	8x Ø2.5x13 mm p15
4x Ø3.5x16 mm p25	1x Ø4x28 mm p90	3x Ø4x28 mm p113	4x Ø15x12 mm #16 r1	4x Ø21x10 mm r31	4x r42	2x Ø16 s2	2x 375 mm t31	2x 400 mm w5\CL
2x 400 mm w5\CR	2x 400 mm w5\DL	2x 400 mm w5\DR	1x z1					

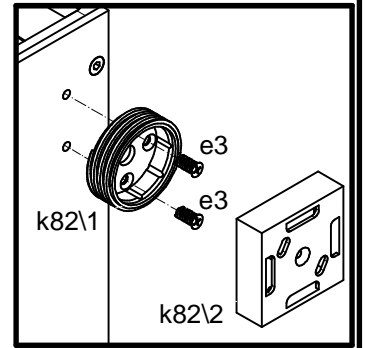
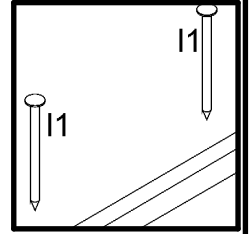
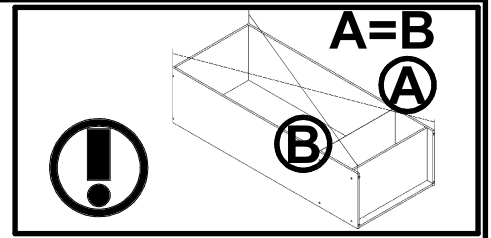
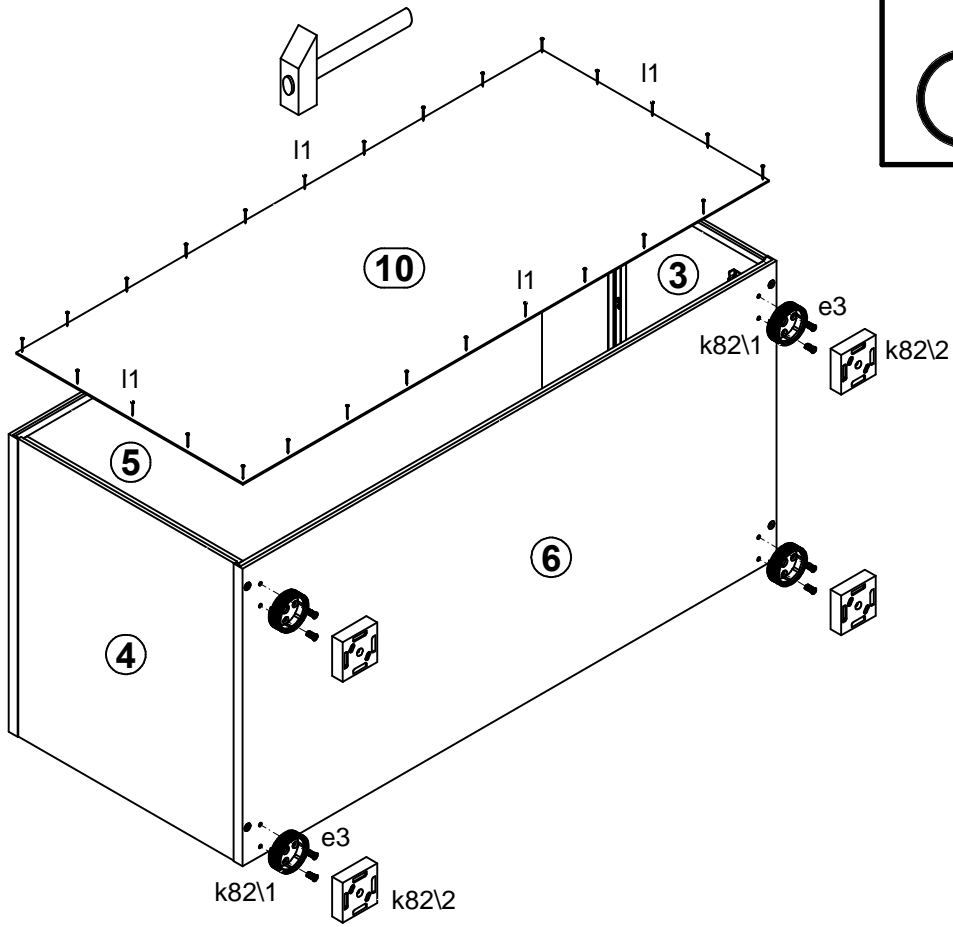
# 1



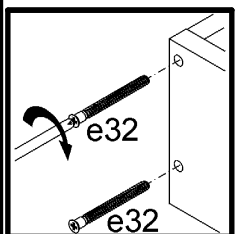
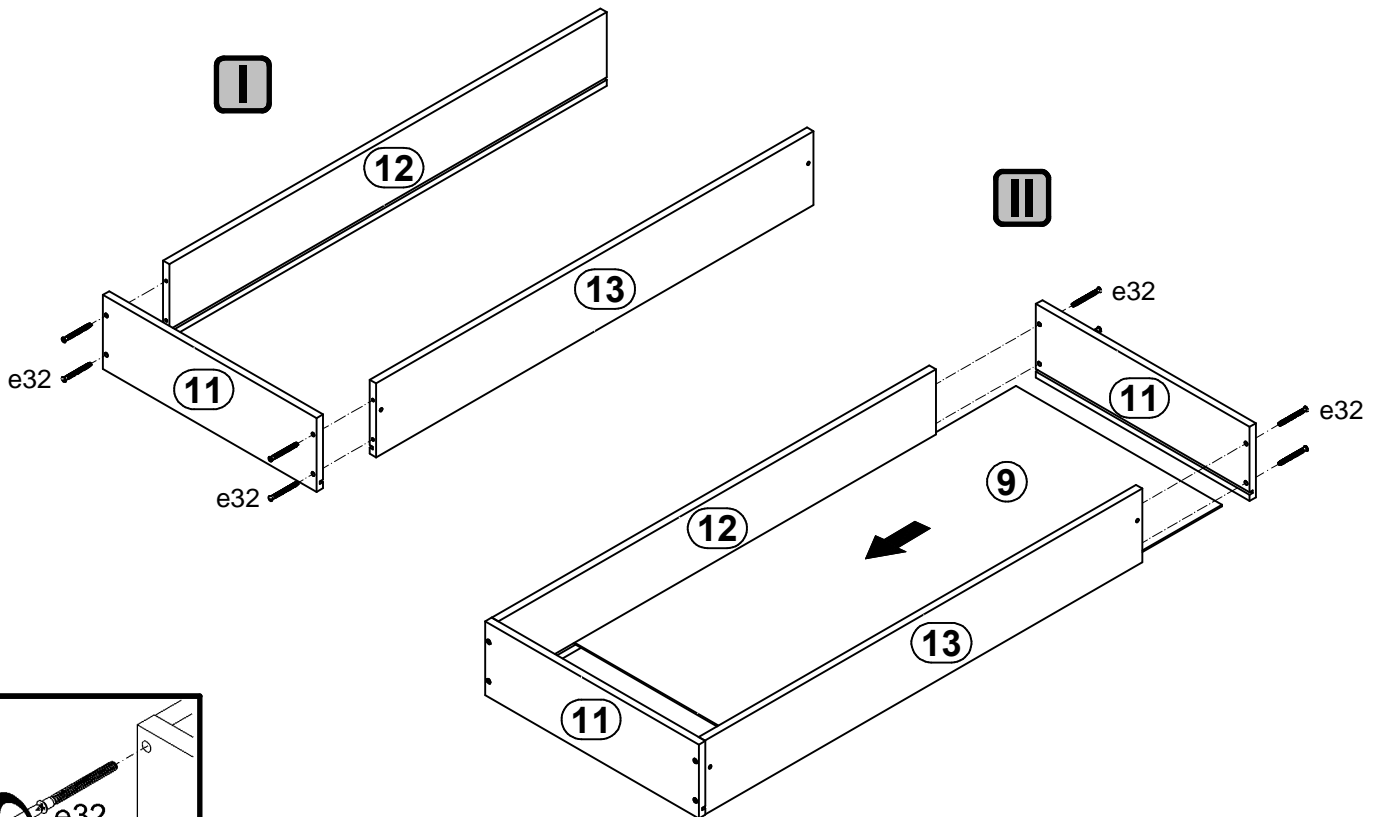
# 2



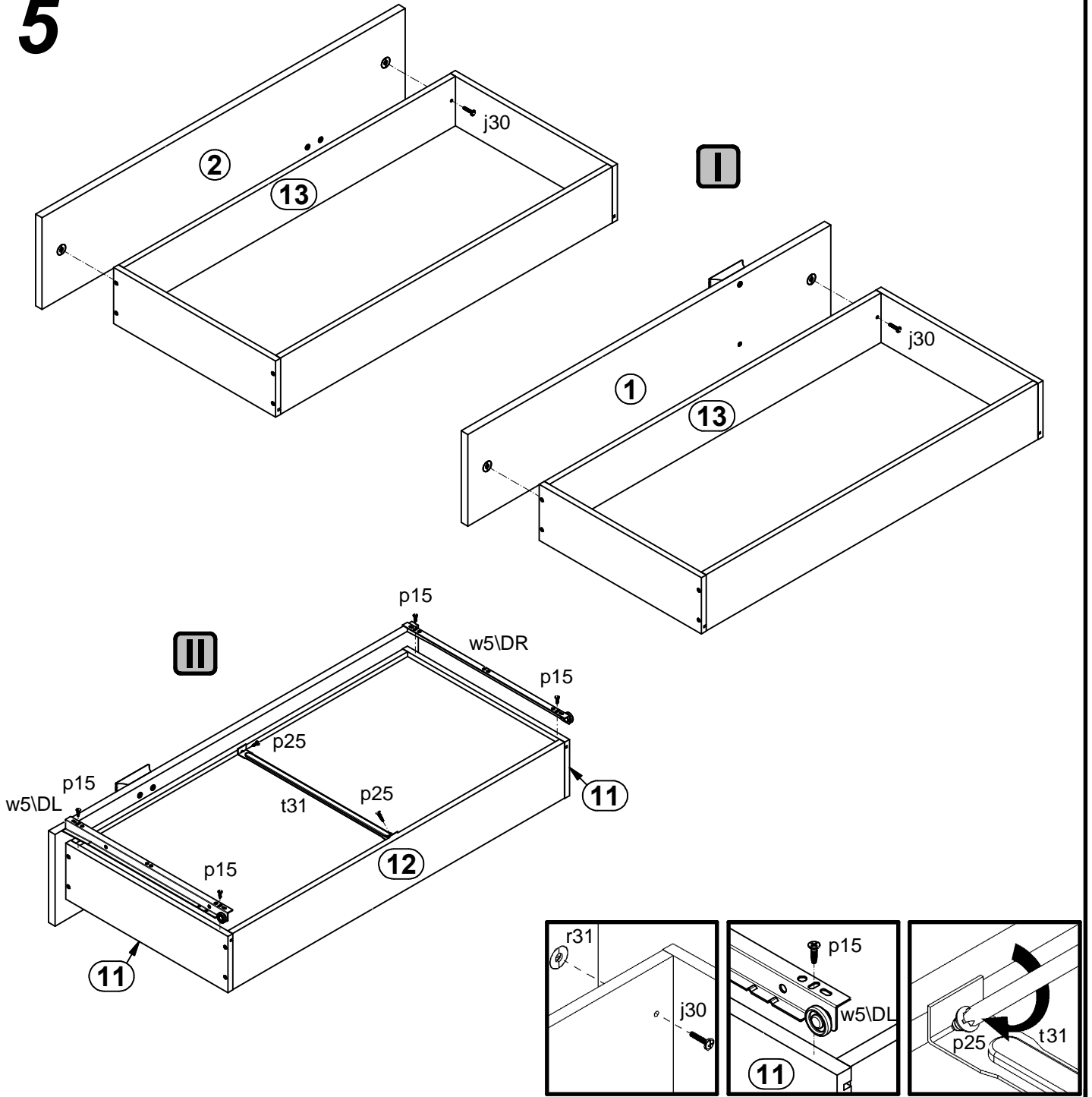
# 3



# 4



# 5



# 6

