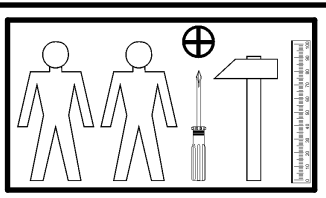
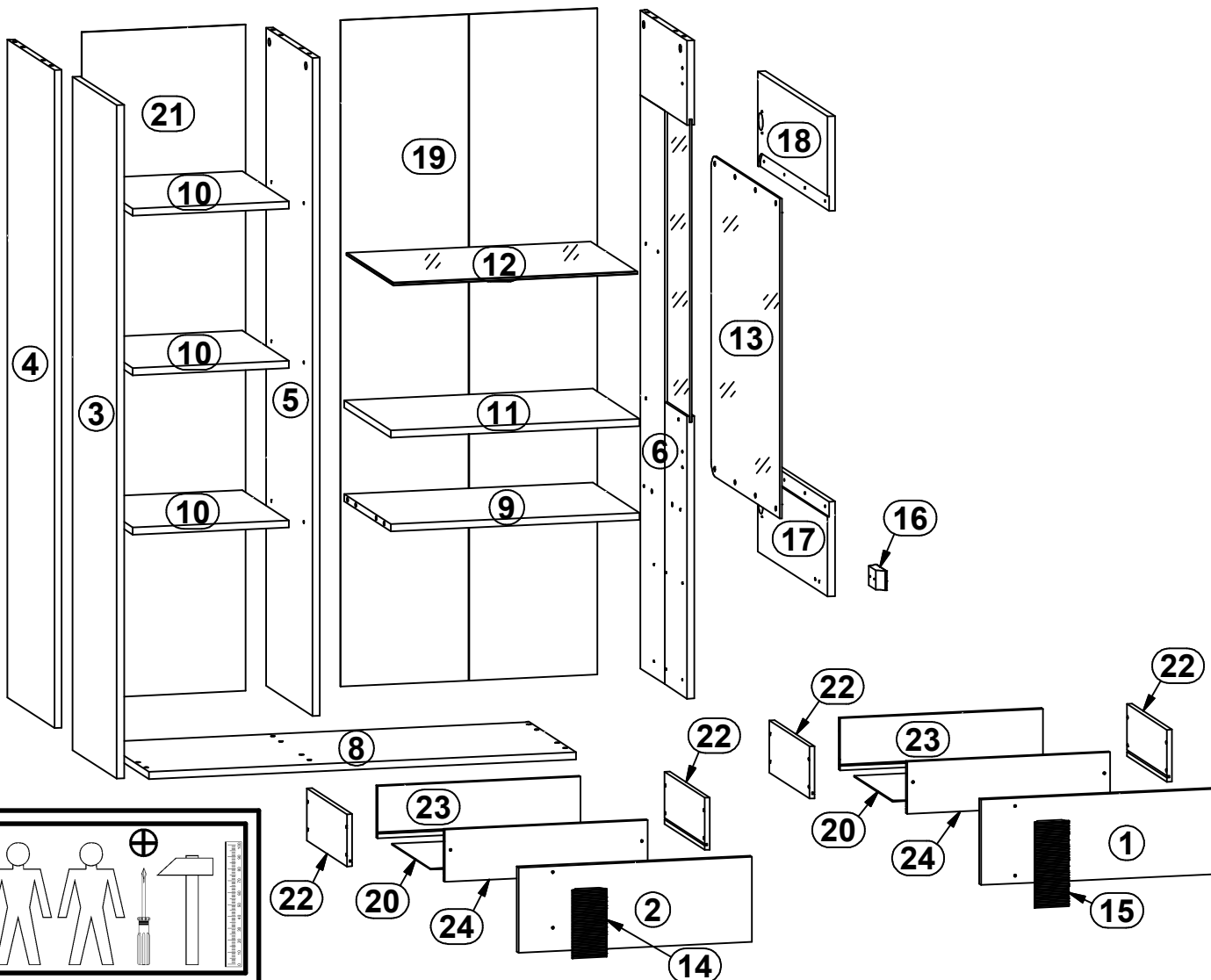
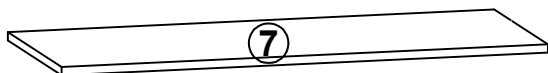
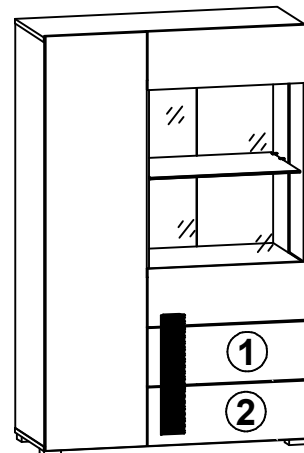


DOMENICA

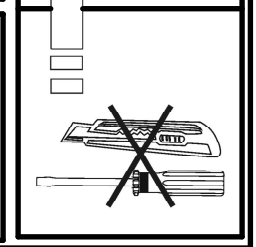
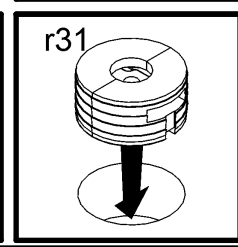
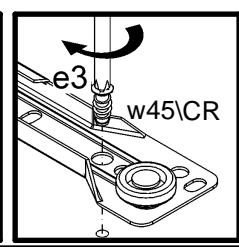
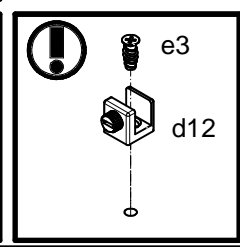
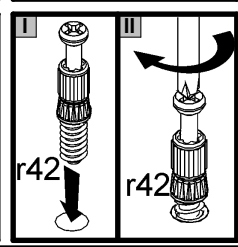
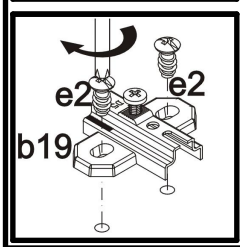
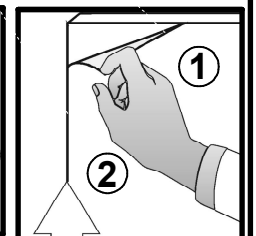
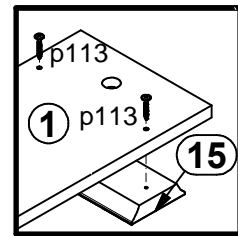
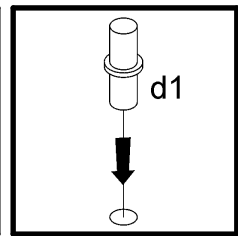
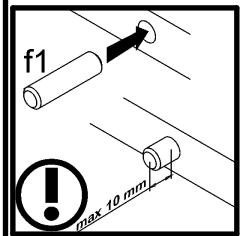
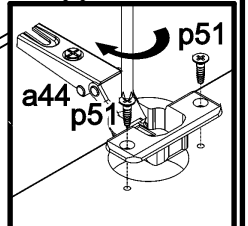
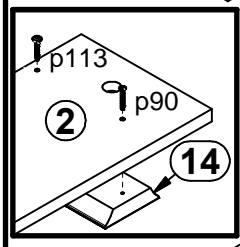
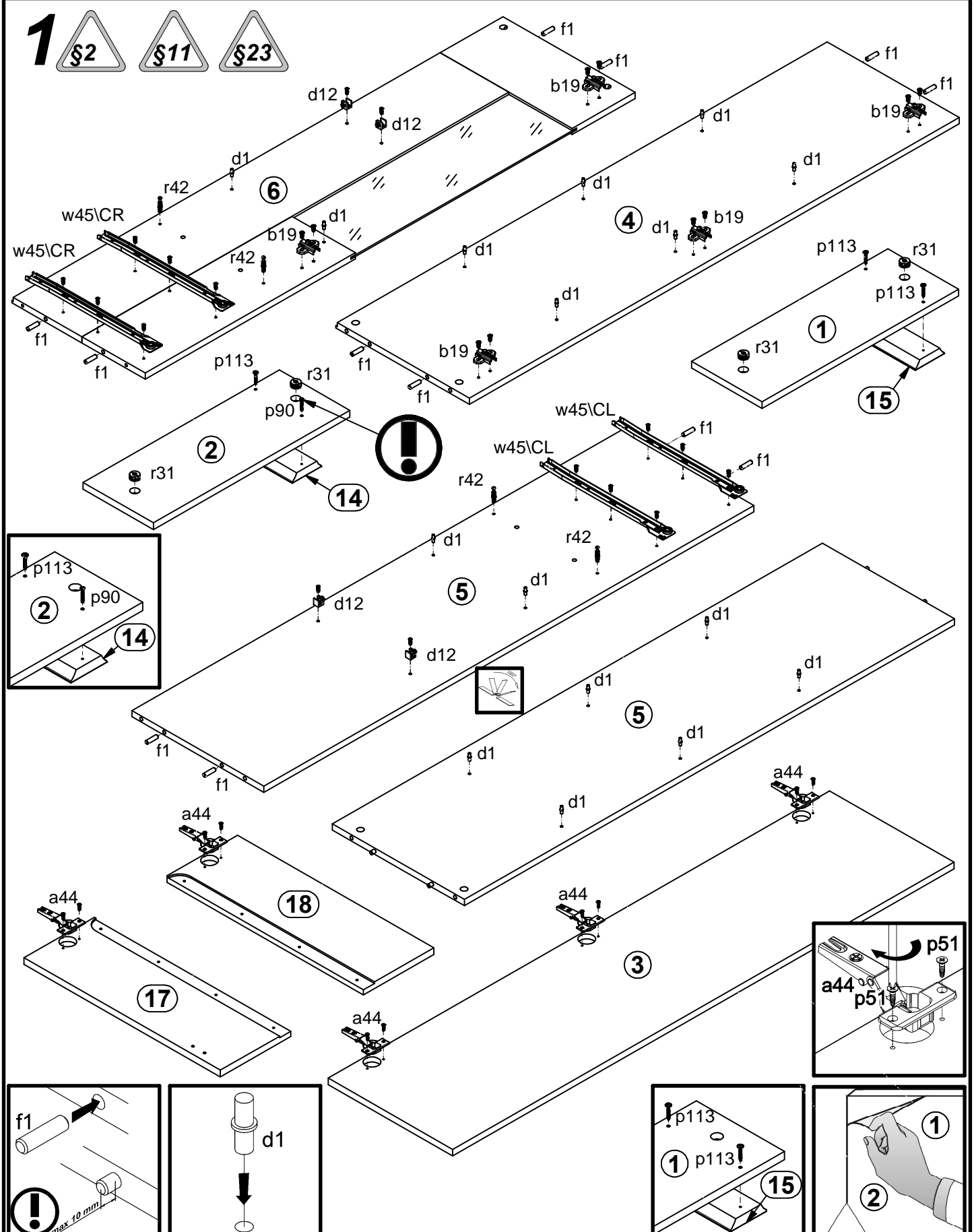
S190-REG1D1W2S

A	B	C	D	A	B	C	D		
1	S190-007	546	196	6/7	13	S190-506	541	662	5/7
2	S190-015	546	196	6/7	14	S190-553	156	80	3/7
3	S190-021	1394	346	7/7	15	S190-554	196	80	3/7
4	S190-115	1362	371	1/7	16	S190-555	40	80	3/7
5	S190-116	1362	367	1/7	17	S190-709	546	196	6/7
6	S190-119	1362	371	1/7	18	S190-710	546	196	6/7
7	S190-215	900	371	2/7	19	S190-912	1379	541	1/7
8	S190-216	900	371	2/7	20	S190-913	486	336	2/7
9	S190-309	524	367	2/7	21	S190-920	1379	345	1/7
10	S190-312	328	362	2/7	22	ZS1-1512	350	120	2/7
11	S190-313	523	362	2/7	23	ZS1-1537	475	120	2/7
12	S190-504	515	342	4/7	24	ZS1-1538	475	120	2/7

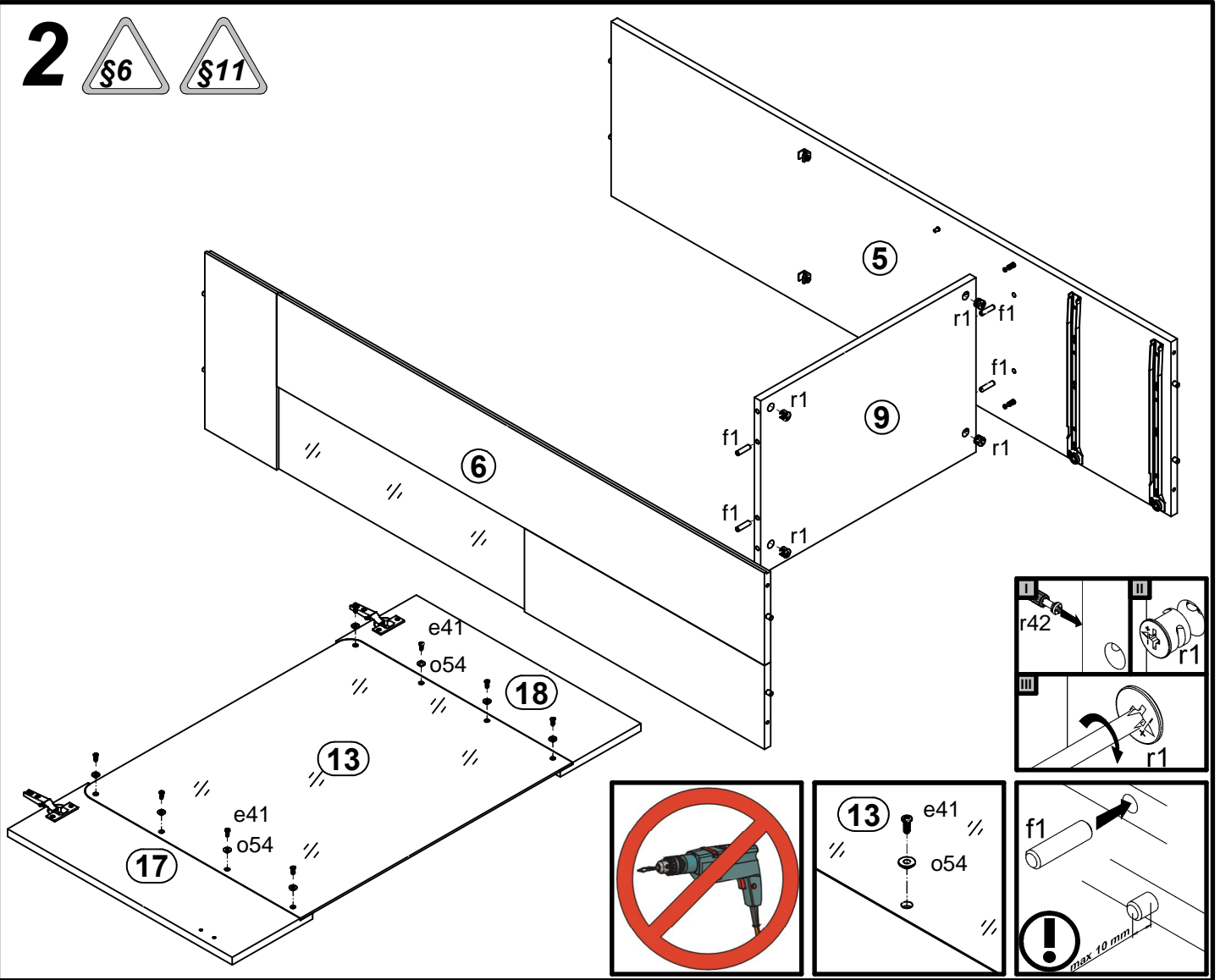


5x a44	5x b19	16x Ø5x17 mm d1	4x d12	6x Ø7x50 mm e1	10x Ø6,3x13 mm e2	26x Ø6x13 mm e3	16x Ø5x50 mm e32	8x Ø5x13 mm e41
16x Ø8x30 mm f1	4x M4x22 mm j30	5x k82\1	5x k82\2	80x l1	8x Ø5,3/Ø8,3x4,8 mm o54	8x Ø2,5x13 mm p15	10x Ø3,5x15 mm p51	1x Ø4x28 mm p90
5x Ø4x28 mm p113	10x Ø15x12 mm #16 r1	4x Ø21x10 mm r31	10x r42	2x 350 mm w45\CL	2x 350 mm w45\CR	2x 350 mm w45\DL	2x 350 mm w45\DR	6x Ø16 s2
1x z1	1x n26\1	1x Ø3,5x16 mm p38						

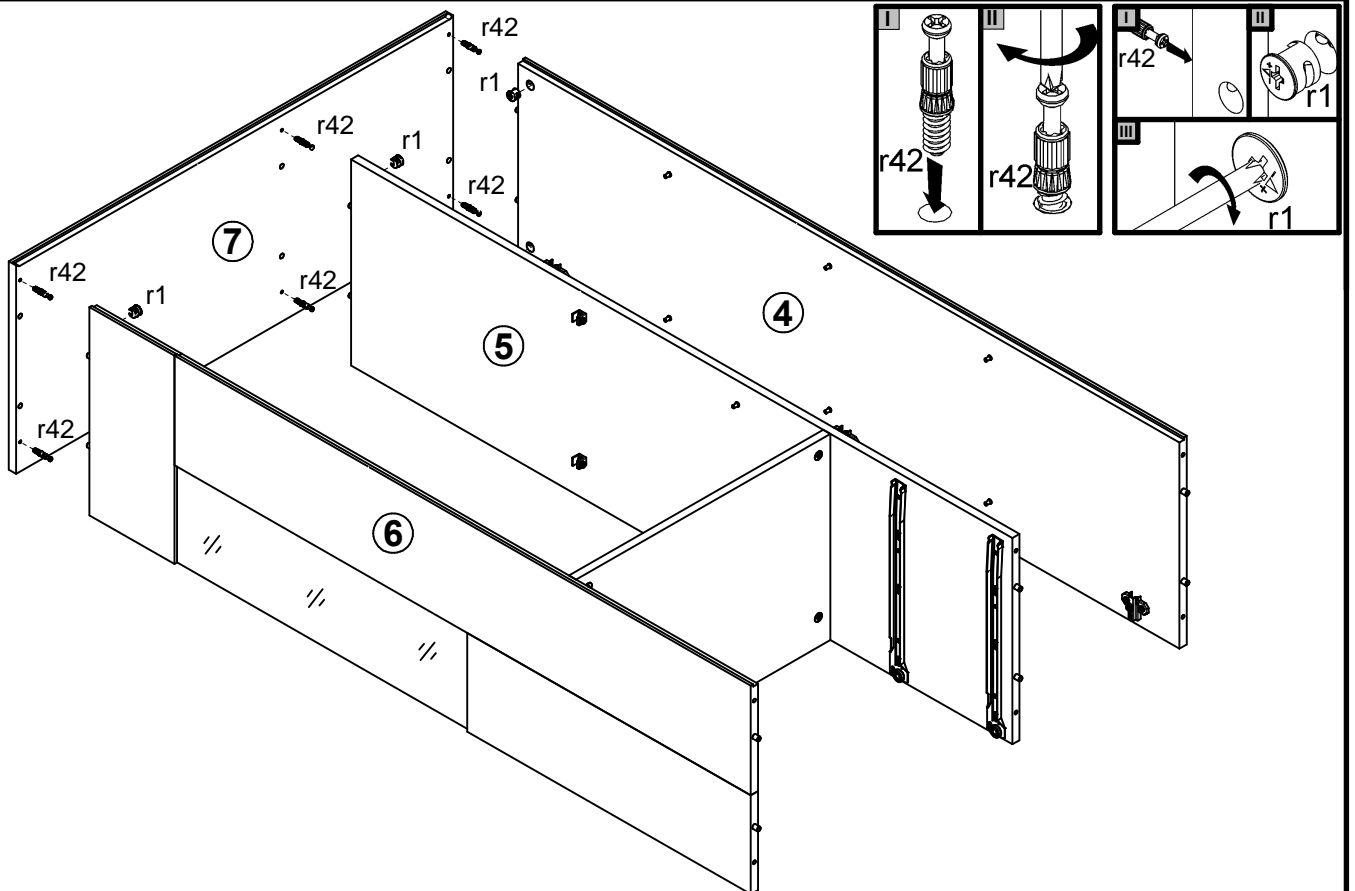
1

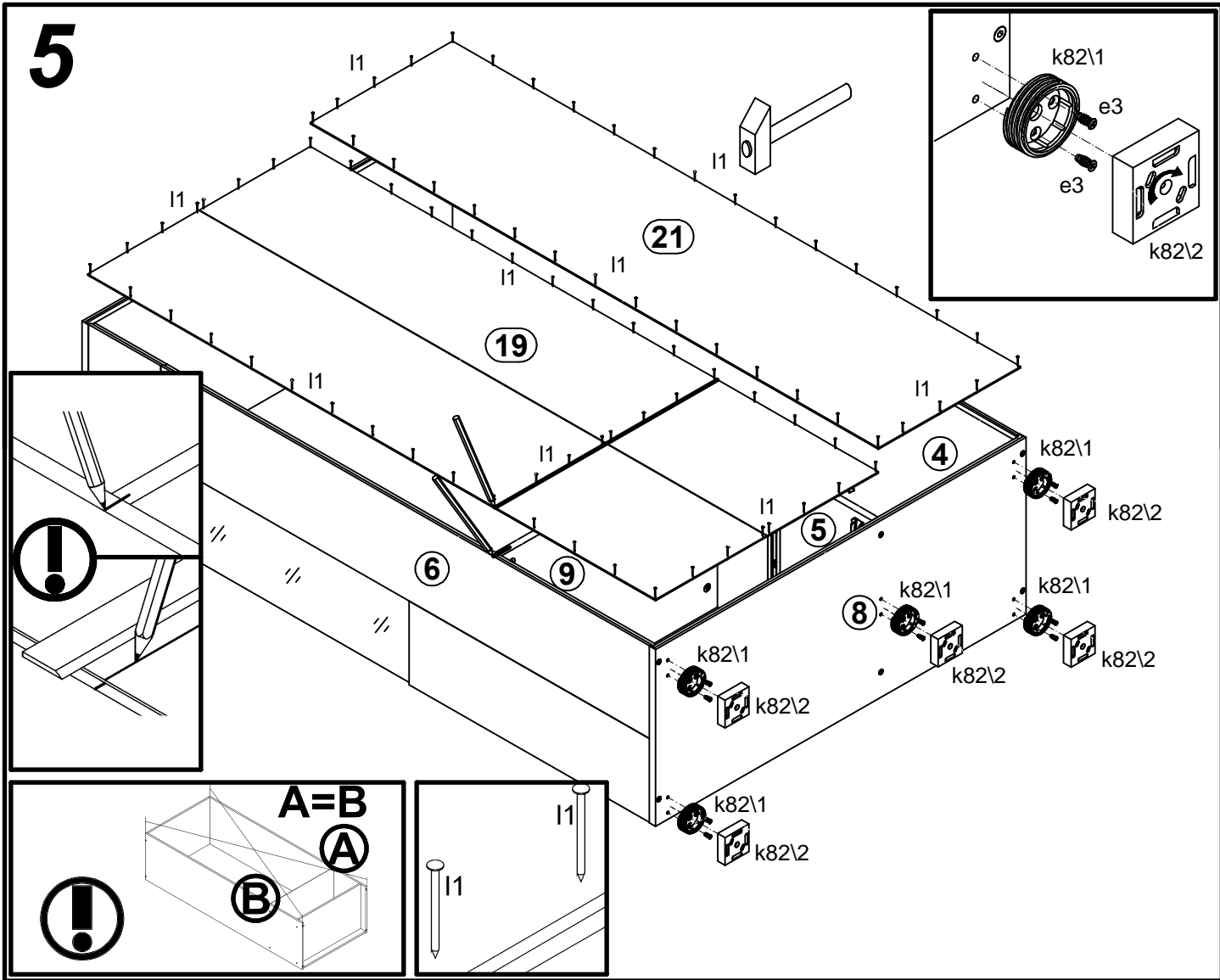
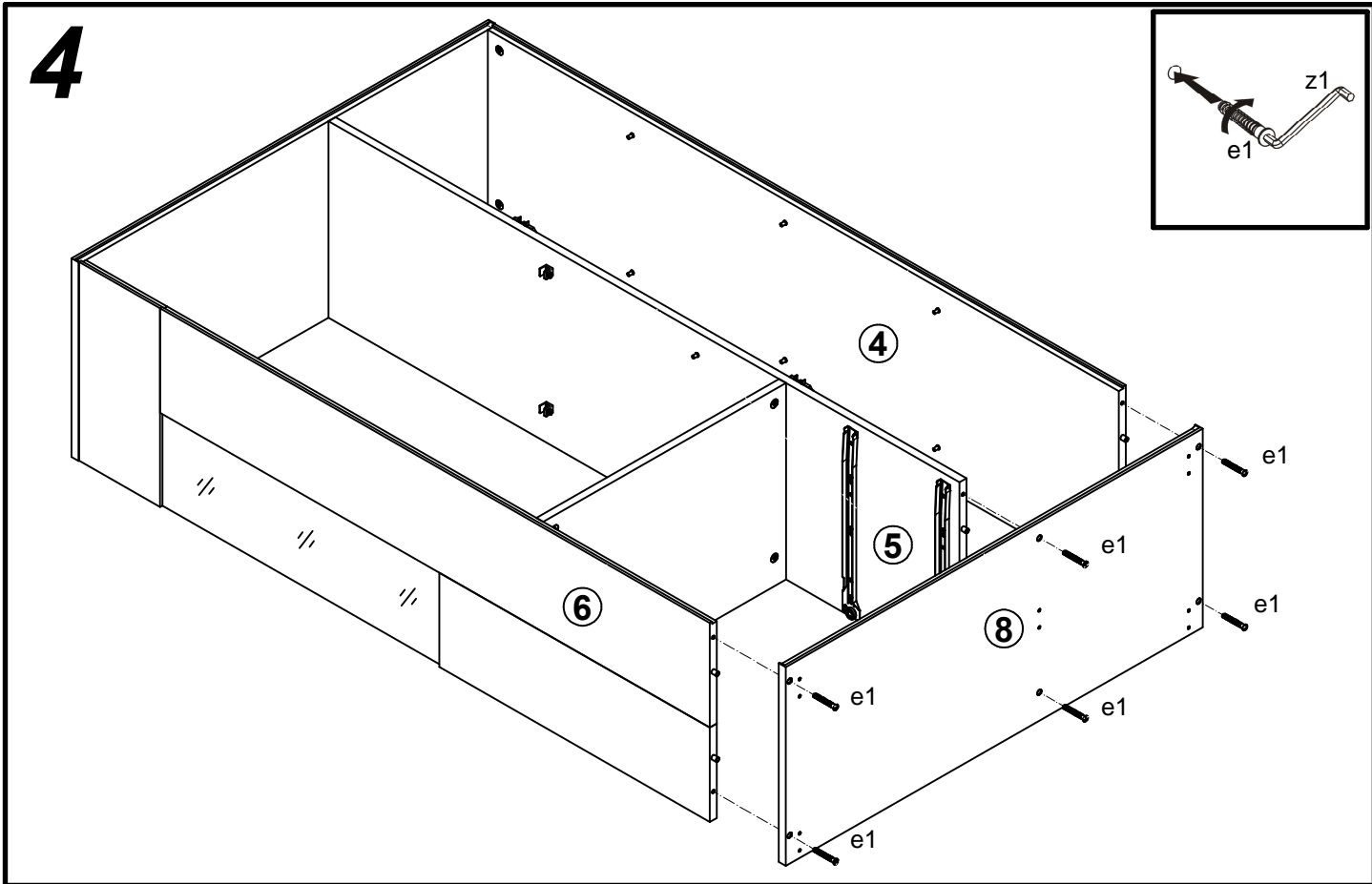


2

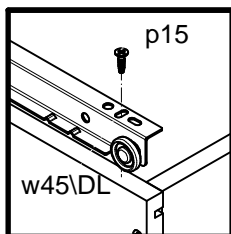
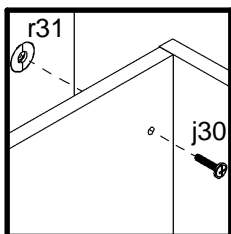
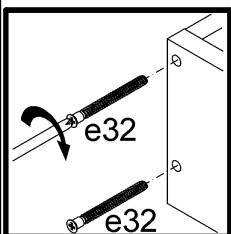
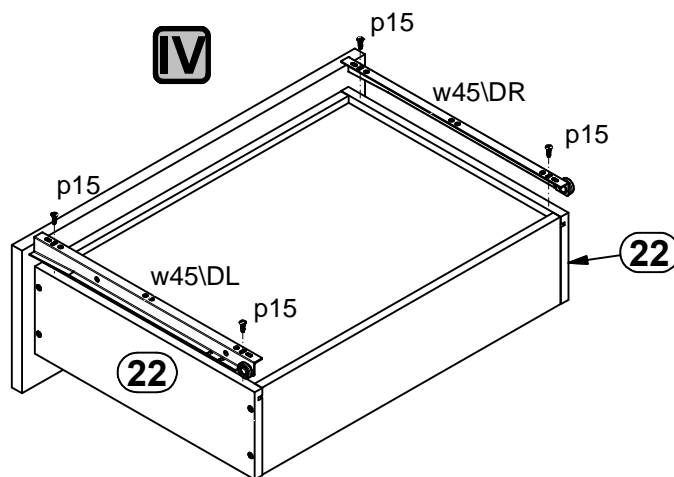
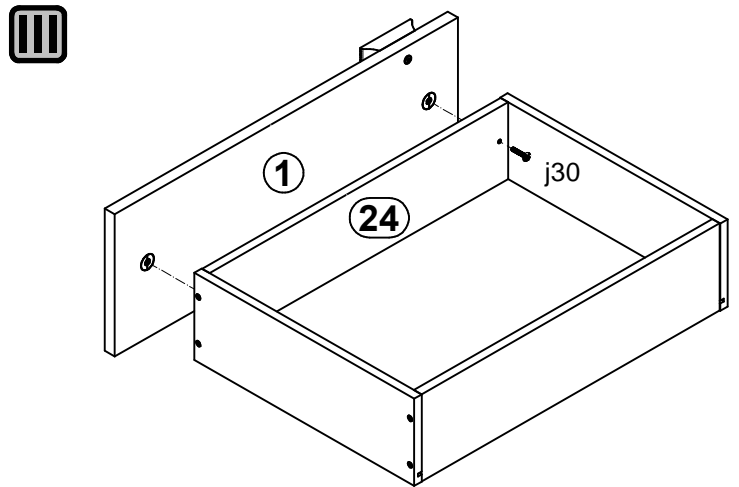
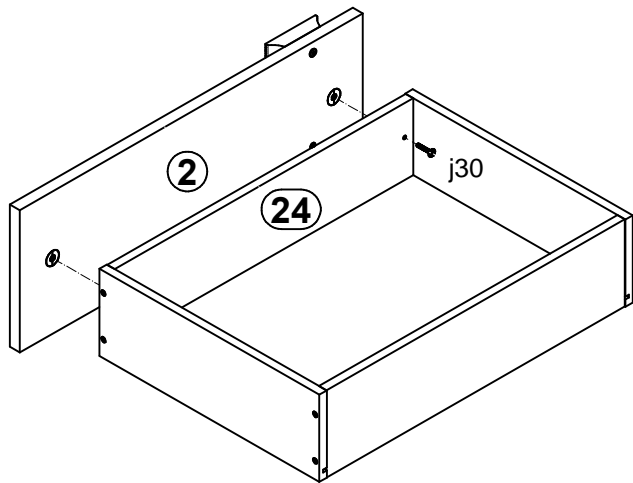
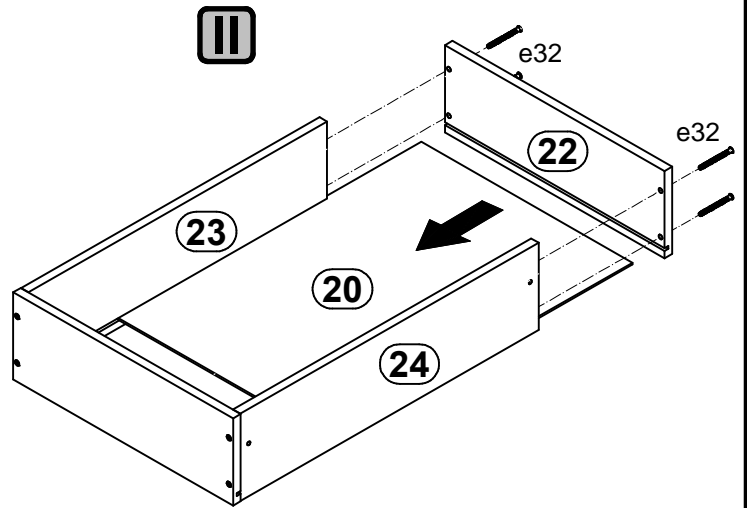
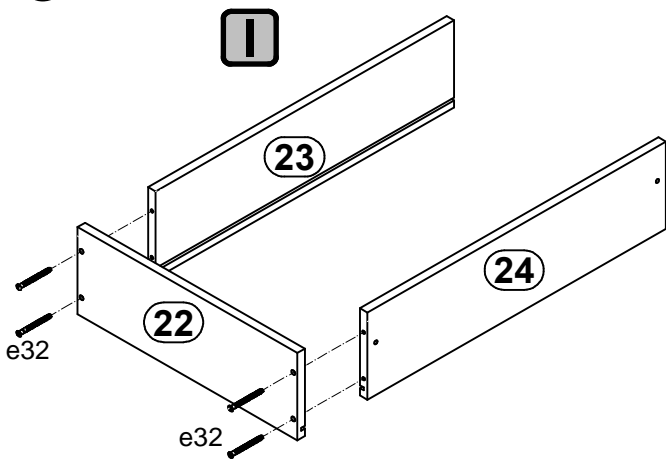


3





6



7

