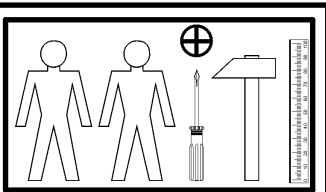
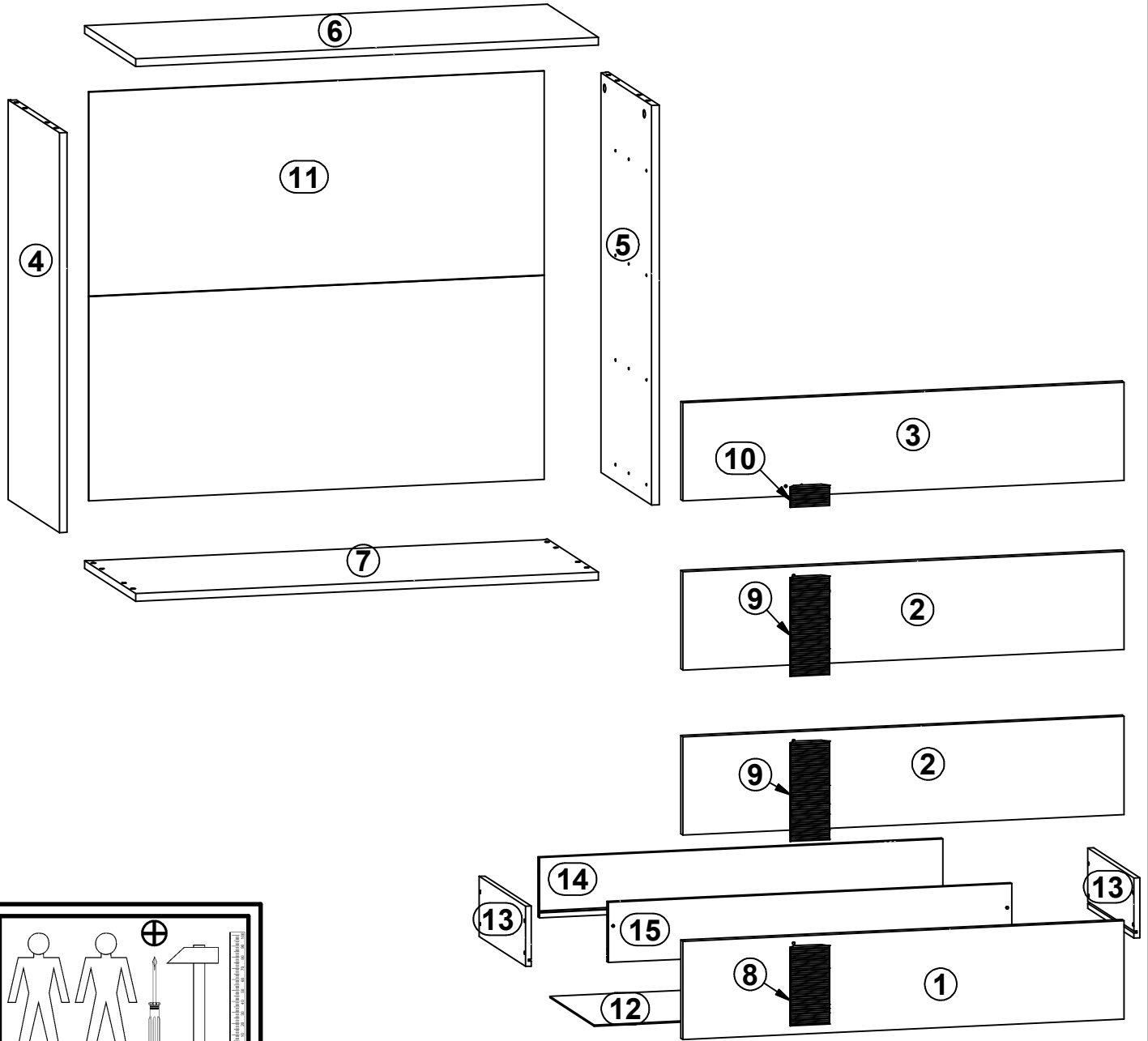
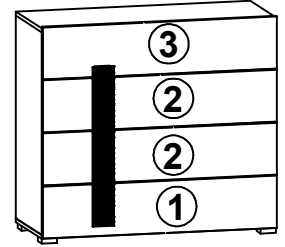


# DOMENICA

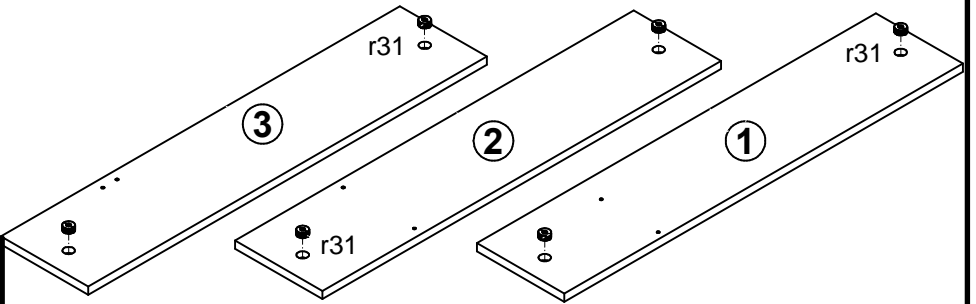
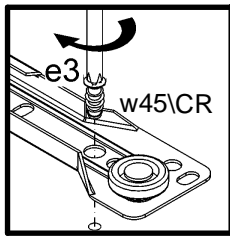
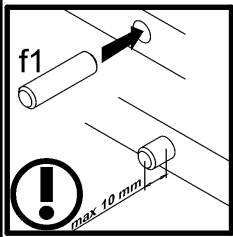
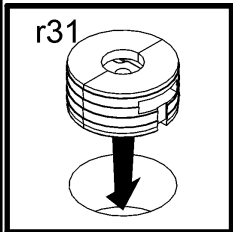
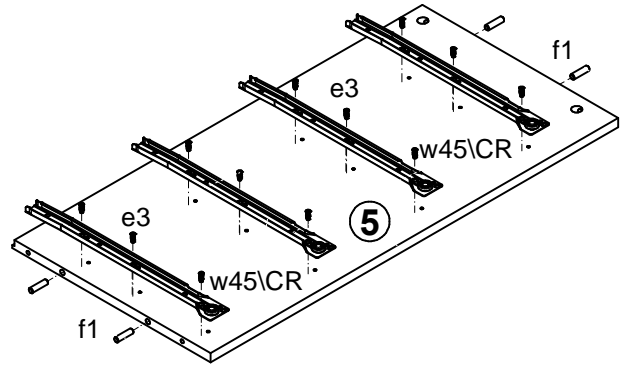
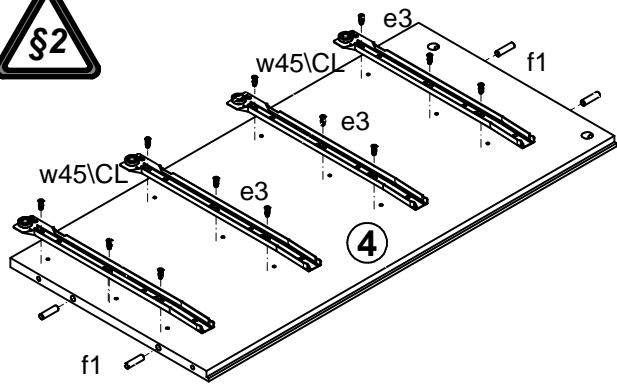
# S190-KOM4S

| A | B        | C   | D   | A   | B  | C        | D   |     |     |
|---|----------|-----|-----|-----|----|----------|-----|-----|-----|
| 1 | S190-006 | 896 | 196 | 3/3 | 9  | S190-554 | 196 | 80  | 2/3 |
| 2 | S190-012 | 896 | 196 | 3/3 | 10 | S190-555 | 40  | 80  | 2/3 |
| 3 | S190-013 | 896 | 196 | 3/3 | 11 | S190-904 | 886 | 781 | 1/3 |
| 4 | S190-105 | 764 | 371 | 1/3 | 12 | S190-905 | 830 | 336 | 1/3 |
| 5 | S190-106 | 764 | 371 | 1/3 | 13 | ZS1-1512 | 350 | 120 | 1/3 |
| 6 | S190-203 | 900 | 371 | 1/3 | 14 | ZS1-1576 | 819 | 120 | 1/3 |
| 7 | S190-204 | 900 | 371 | 1/3 | 15 | ZS1-1577 | 819 | 120 | 1/3 |
| 8 | S190-553 | 156 | 80  | 2/3 |    |          |     |     |     |



|                          |                         |                        |                           |                        |                       |                     |                        |                        |
|--------------------------|-------------------------|------------------------|---------------------------|------------------------|-----------------------|---------------------|------------------------|------------------------|
| 4x<br>φ7x50 mm<br>e1     | 32x<br>φ6x13 mm<br>e3   | 32x<br>Ø5x50 mm<br>e32 | 1x<br>φ3,5x16 mm<br>p38   | 8x<br>φ8x30 mm<br>f1   | 8x<br>M4x22 mm<br>j30 | 4x<br>k82\1         | 4x<br>k82\2            | 35x<br>l1              |
| 16x<br>Ø2,5x13 mm<br>p15 | 8x<br>φ3,5x16 mm<br>p25 | 1x<br>Ø4x28 mm<br>p90  | 4x<br>φ1,5x12mm #16<br>r1 | 8x<br>Ø21x10 mm<br>r31 | 4x<br>r42             | 4x<br>325 mm<br>t30 | 4x<br>350 mm<br>w45\CL | 4x<br>350 mm<br>w45\CR |
| 4x<br>350 mm<br>w45\DL   | 4x<br>350 mm<br>w45\DR  | 1x<br>z1               | 1x<br>n26\1               | 7x<br>Ø4x28 mm<br>p113 | 2x<br>Ø16<br>s2       |                     |                        |                        |

# 1



# 2

