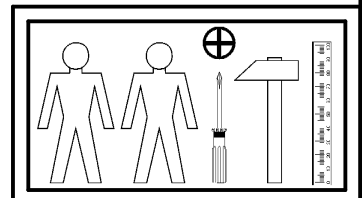
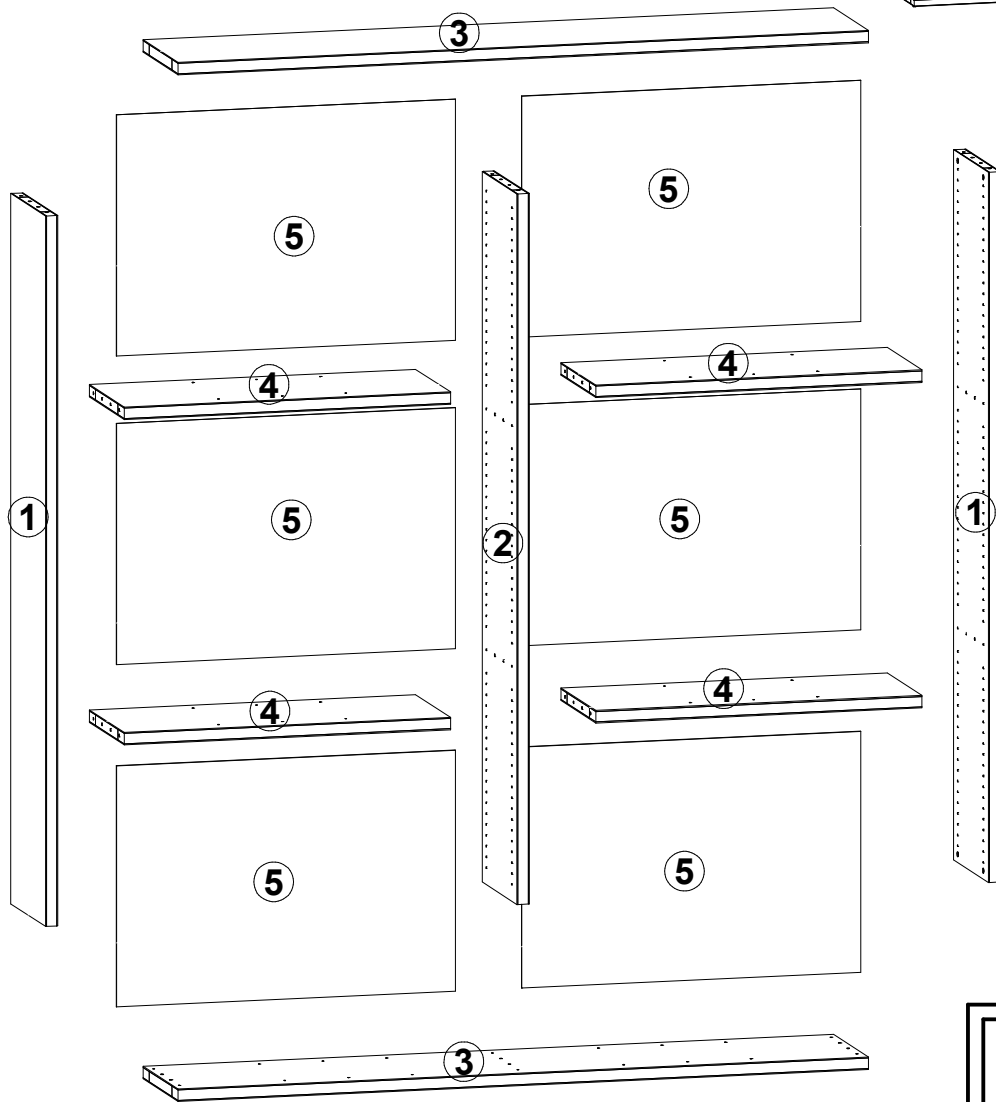
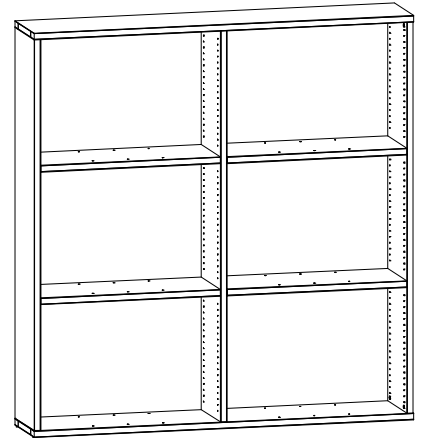
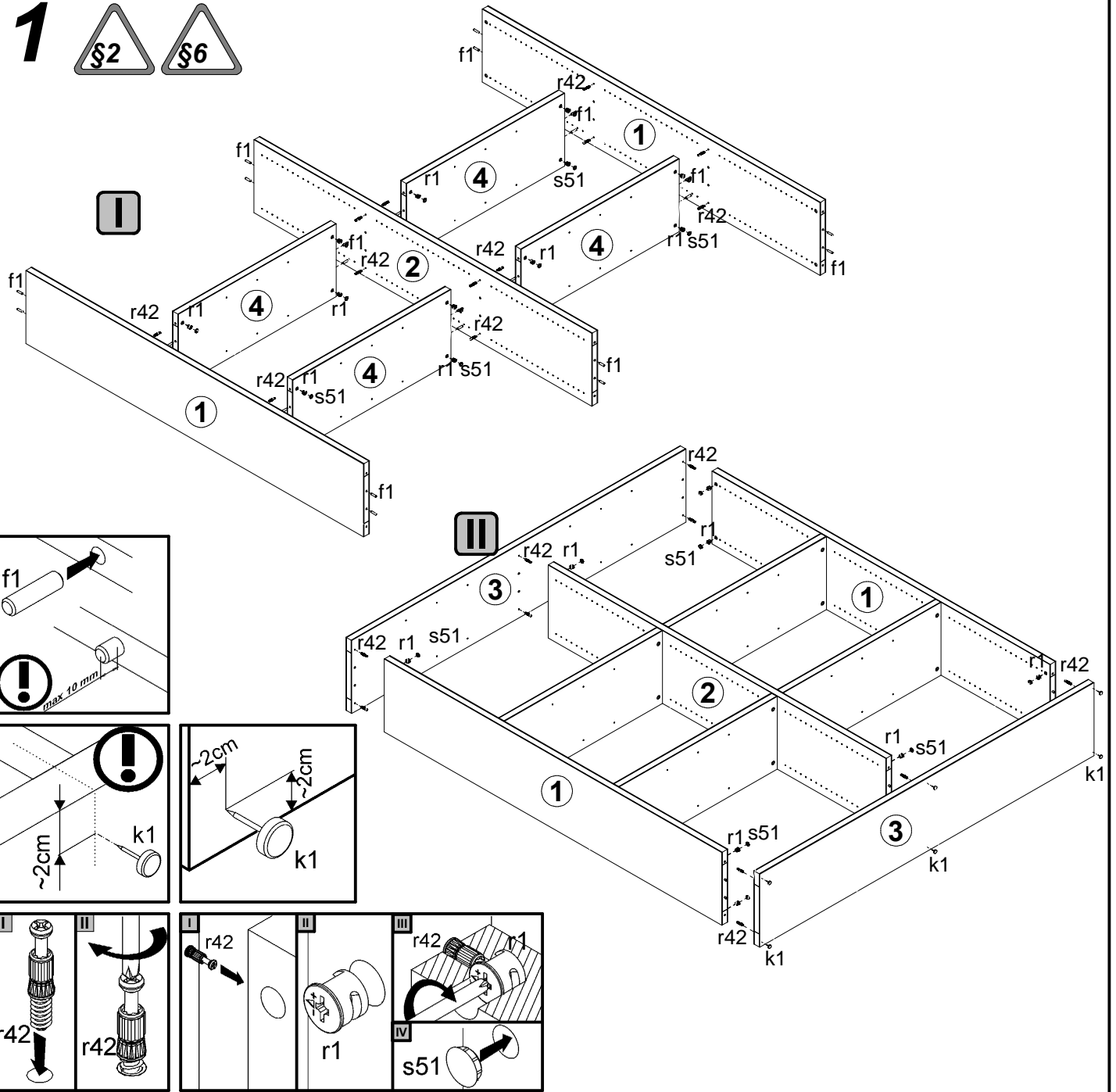


A	B	C		D
1	S68-102	2104	392	1/6
2	S68-104	2104	392	1/6
3	S68-202	2082	393	2/6
4	S68-301	984	392	3/6
5	S68-901	714	1022	4,5,6/6



28x φ8x30 mm f1	6x k1	210x l1	28x φ1.5x12mm #16 r1	28x r42	28x ø15 s51	1x n26\1	1x φ3,5x16 mm p38
-----------------------	----------	------------	----------------------------	------------	-------------------	-------------	-------------------------

1



2

