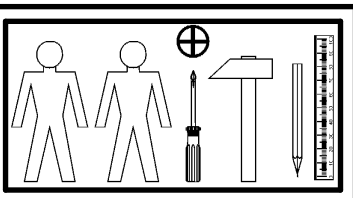
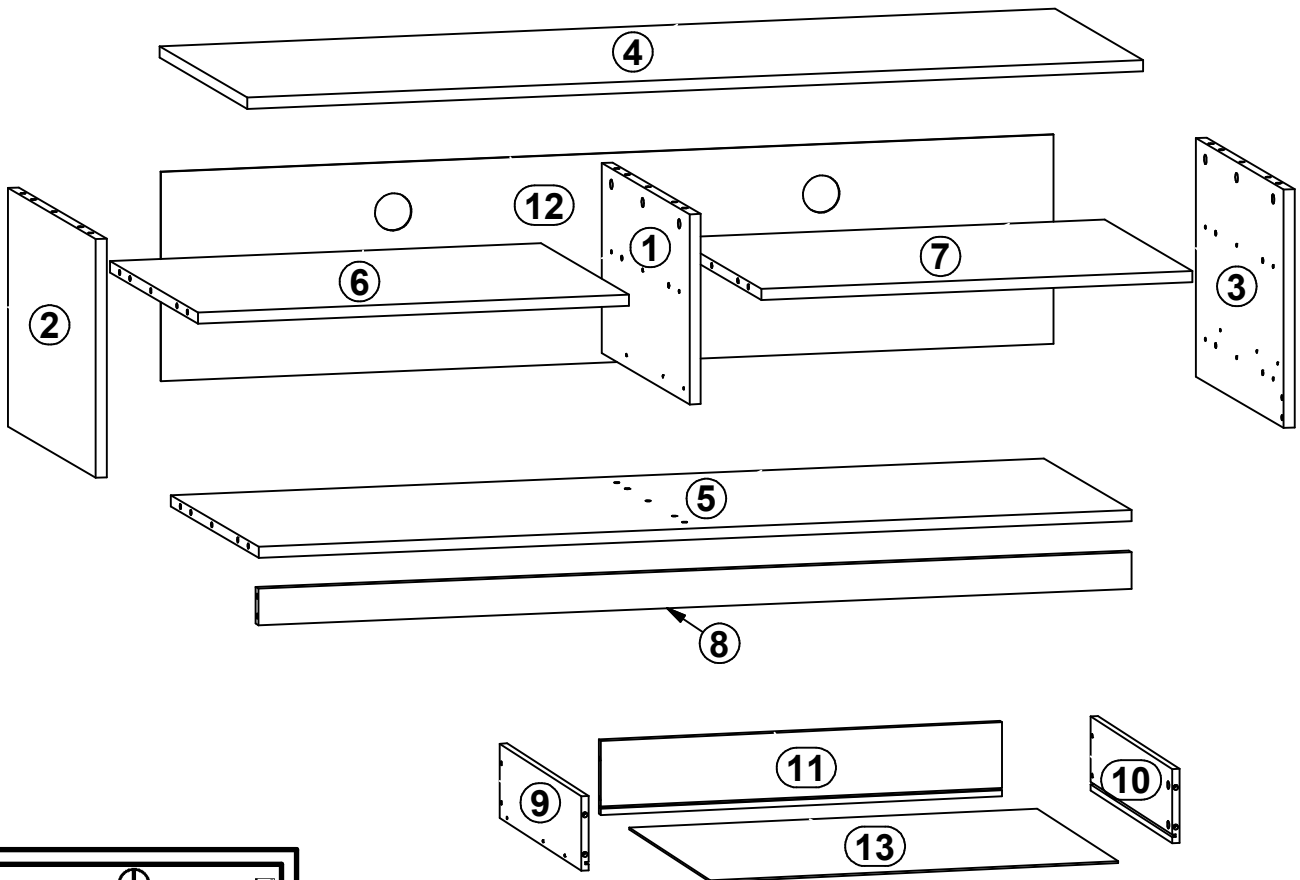
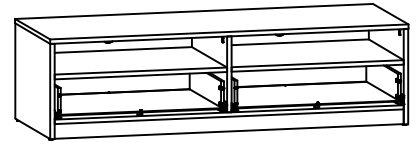


CLIPPER / SALSA

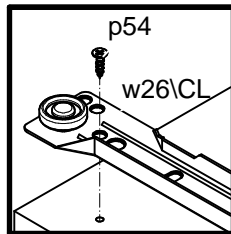
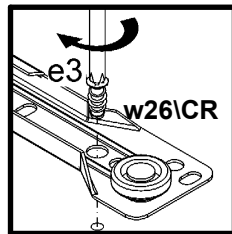
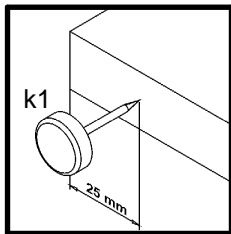
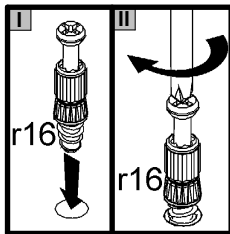
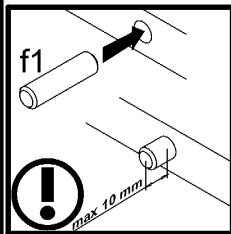
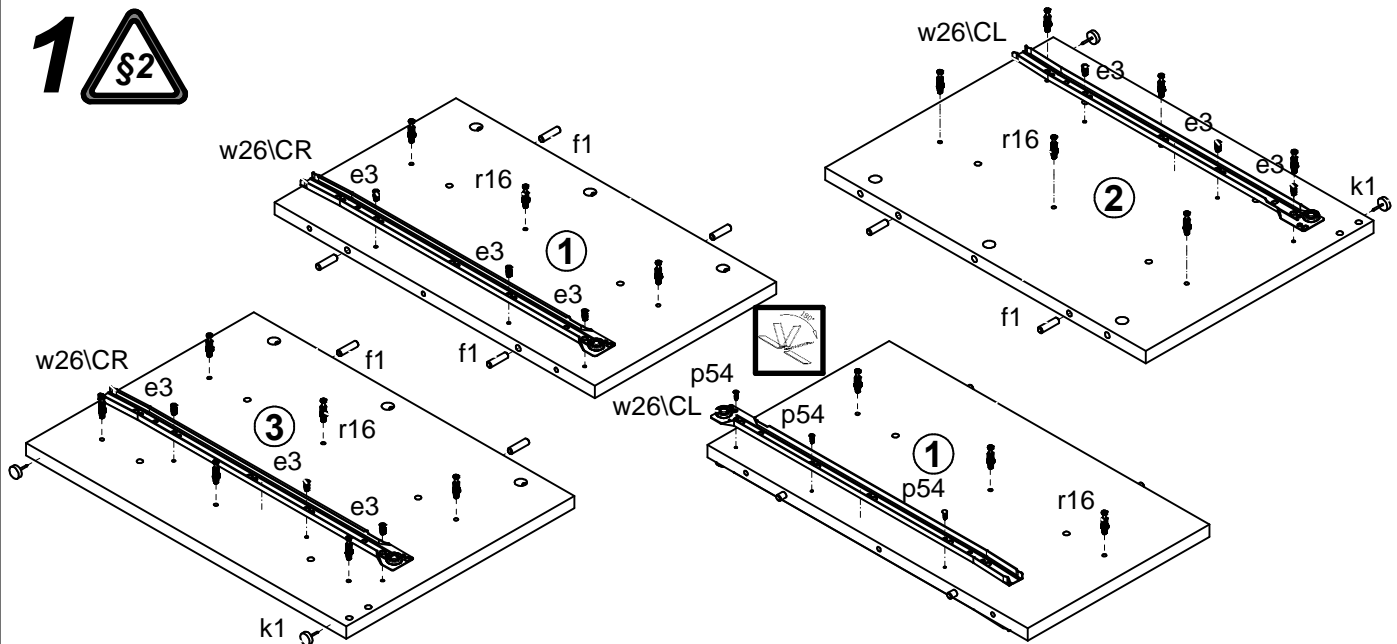
S55-RTV2SO

A	B	C	D	
1	S55-137	306	540	1/3
2	S55-152	384	540	1/3
3	S55-153	384	540	1/3
4	S55-207	1473	540	2/3
5	S55-325	1436	540	2/3
6	S55-326	709	540	1/3
7	S55-327	709	540	1/3
8	S55-404	1436	59	2/3
9	S55-507	500	120	1/3
10	S55-508	500	120	1/3
11	S55-512	660	120	1/3
12	S55-914	337	1468	2/3
13	S55-915	671	498	2/3

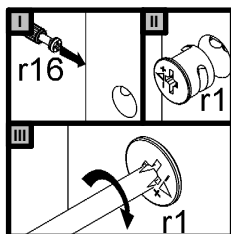
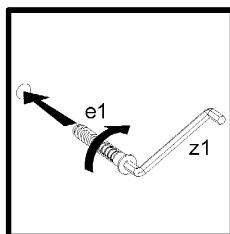
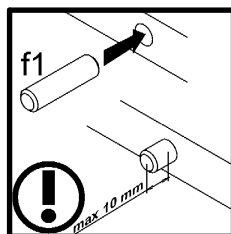
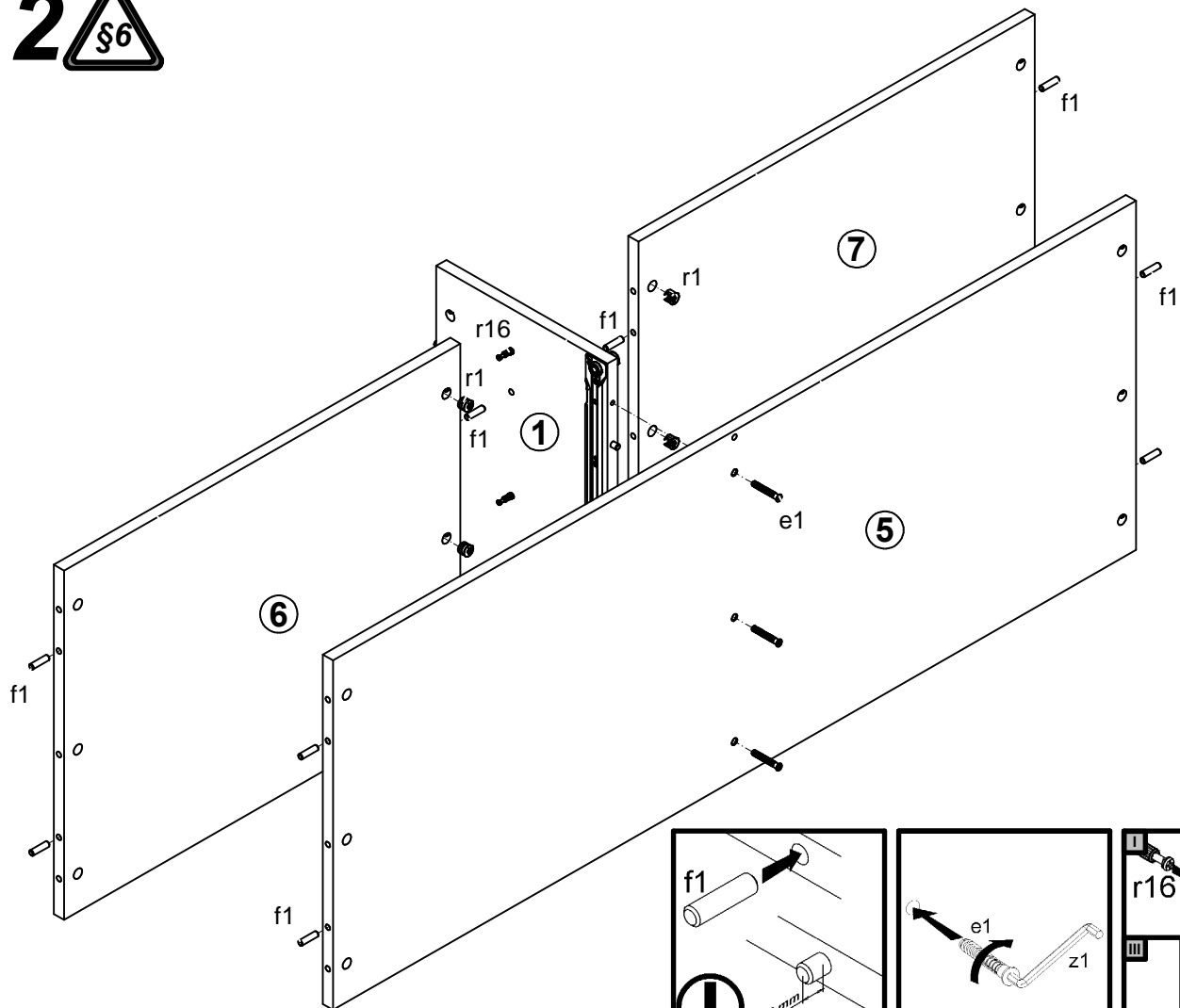


3x φ7x50 mm e1	9x φ6x13 mm e3	12x φ5x9 mm e19	25x φ8x30 mm f1	8x φ6.5x40 mm f25	4x k1	60x l1	4x φ3.5x16 mm p25	3x φ3x12 mm p54
27x φ1.5x12mm #16 r1	8x φ1.2x10.5mm #12 r15	35x r16	9x ø16 s2	2x 483 mm t17	2x 500 mm w26\CL	2x 500 mm w26\CR	2x 500 mm w26\DL	2x 500 mm w26\DR
1x z1								

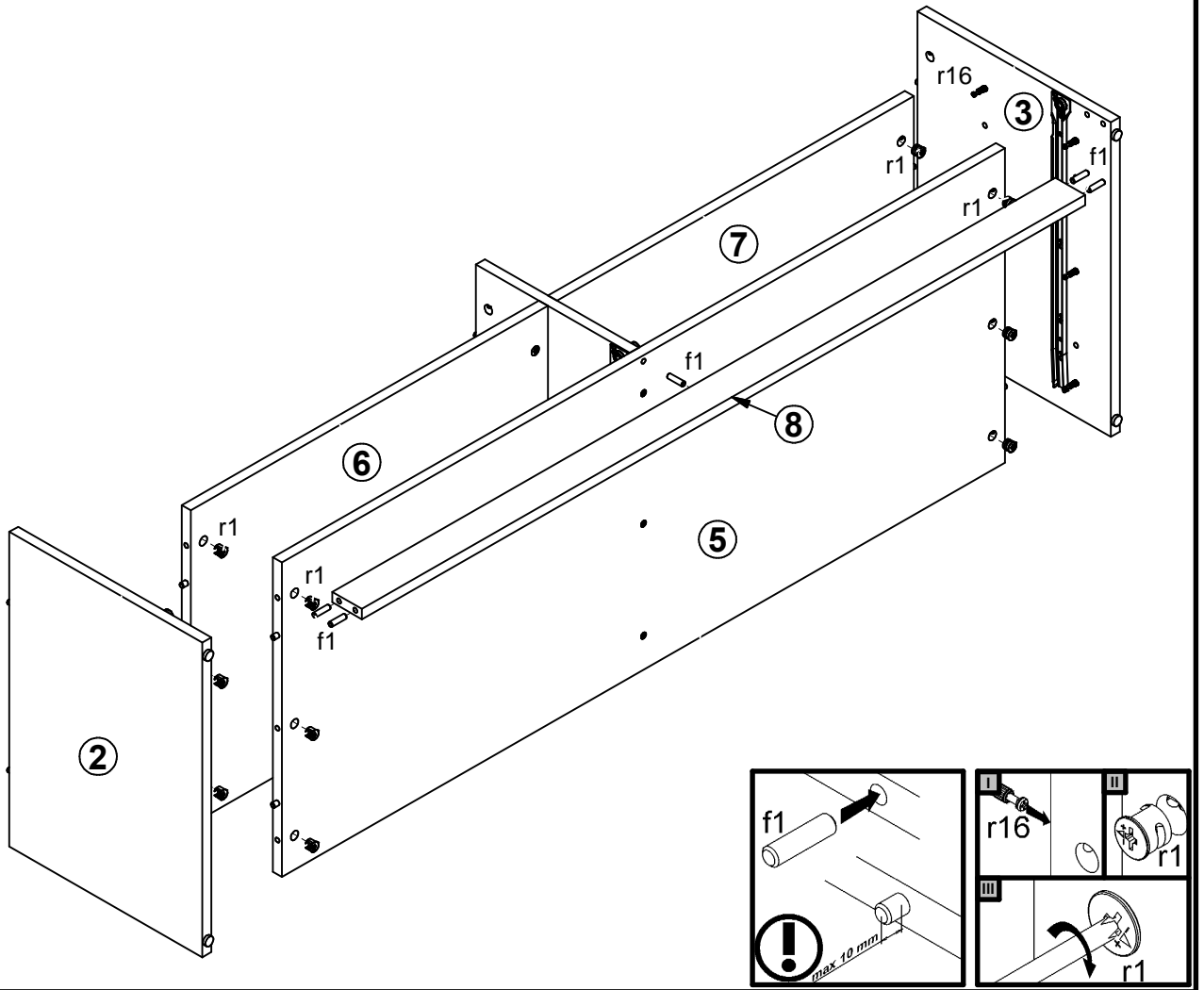
1



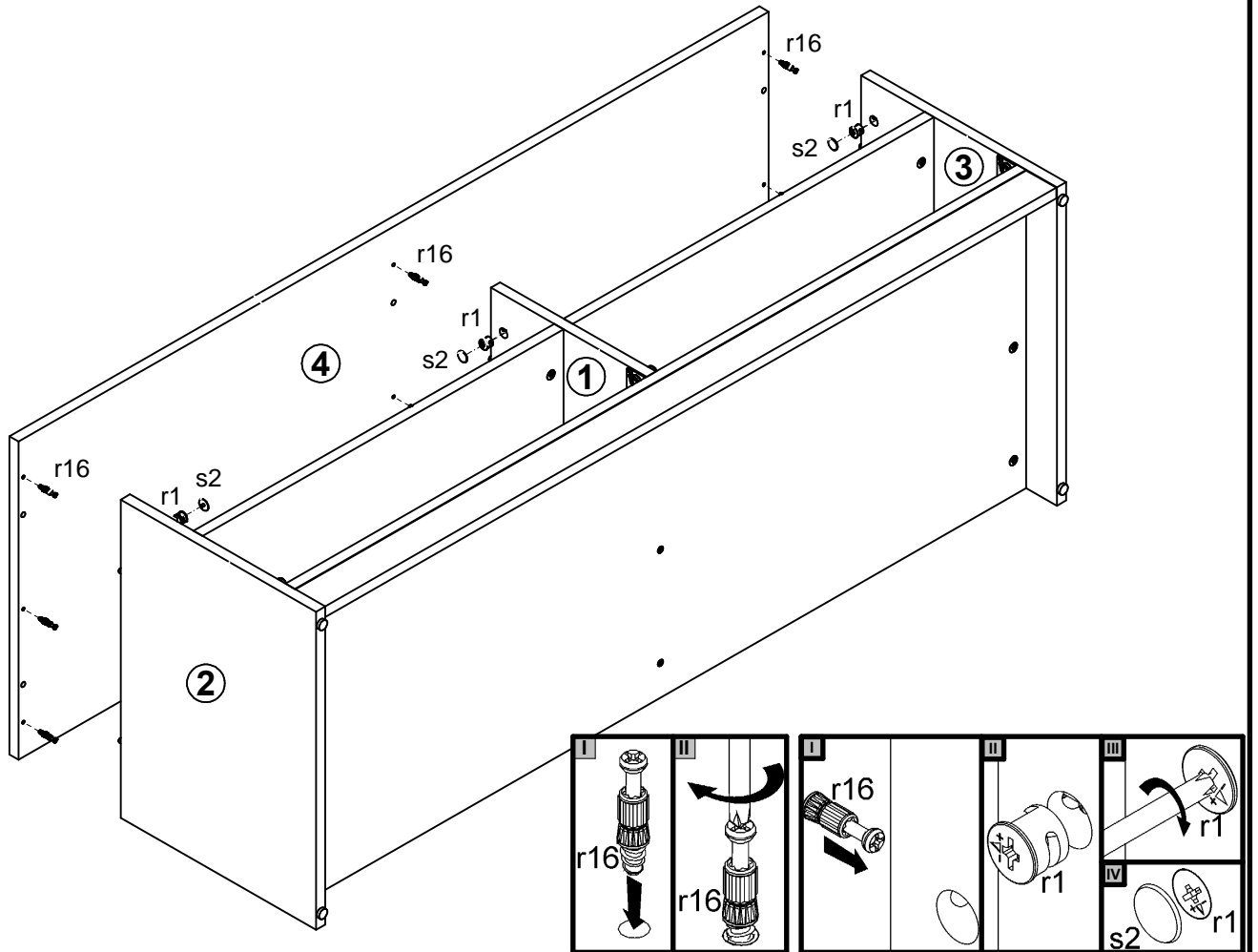
2



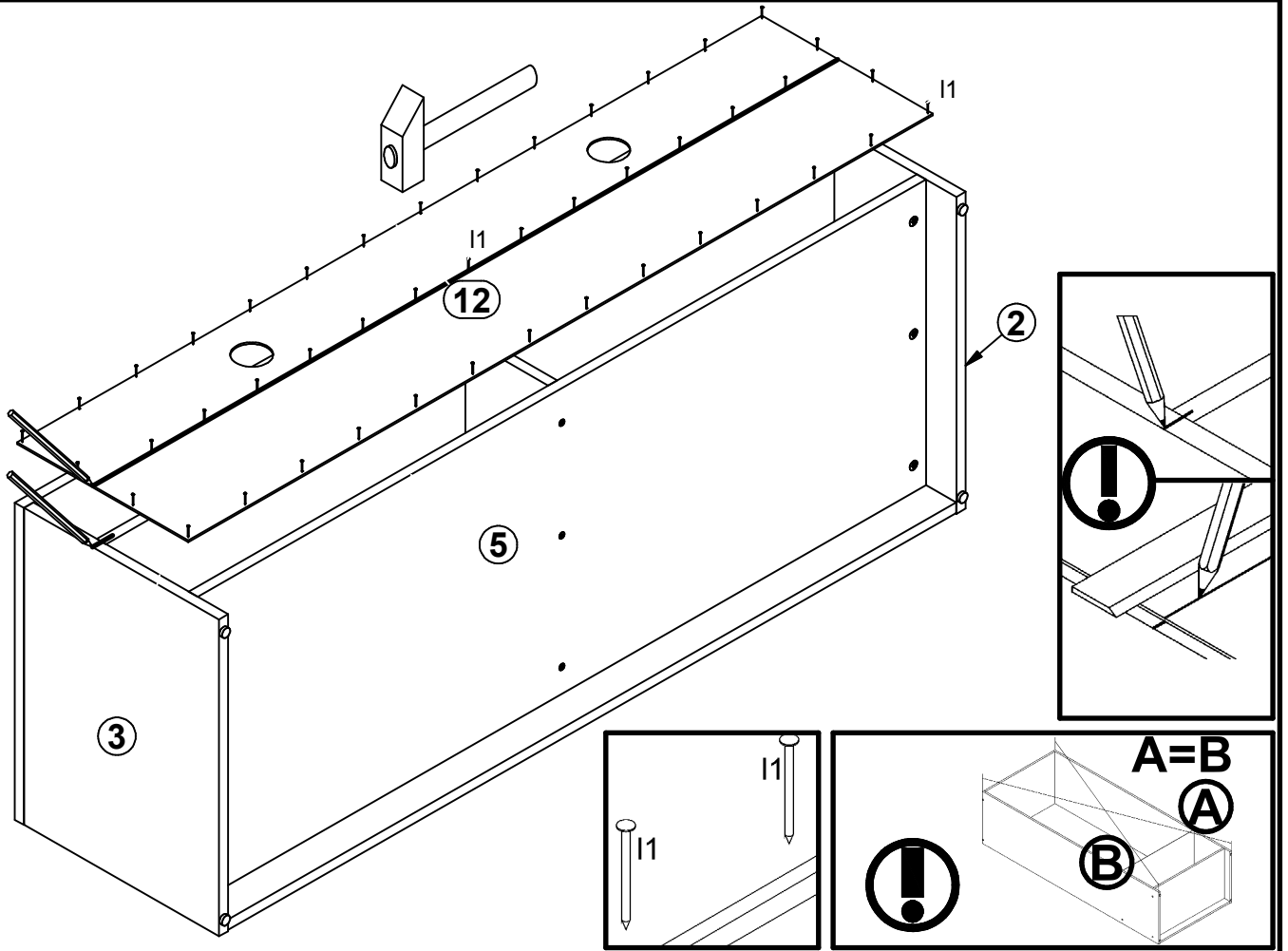
3



4



5



6

