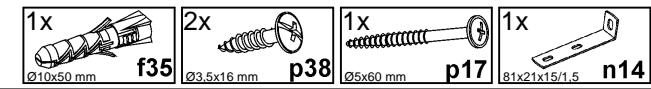
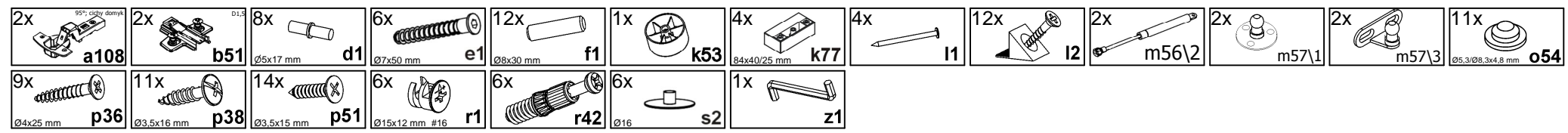
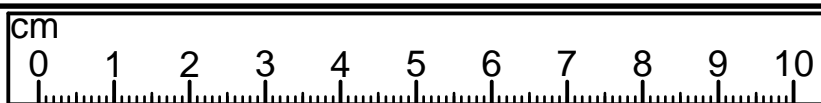
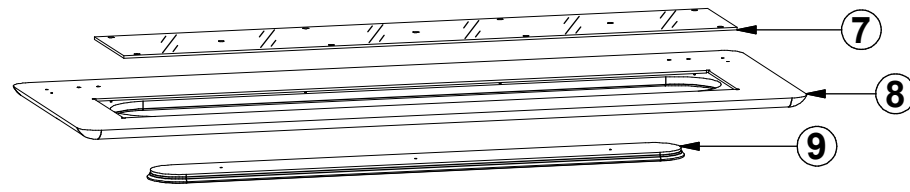
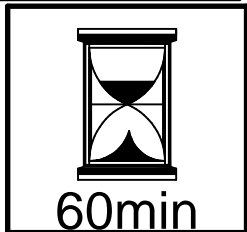
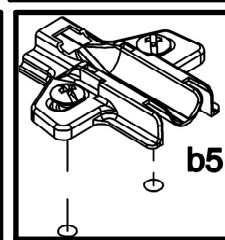
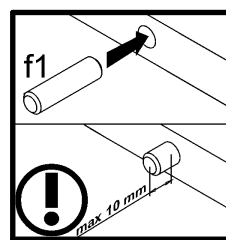
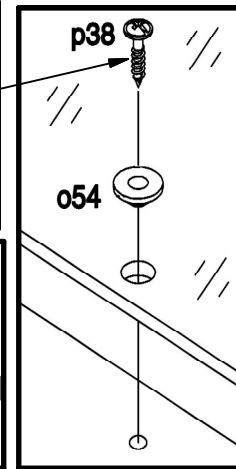
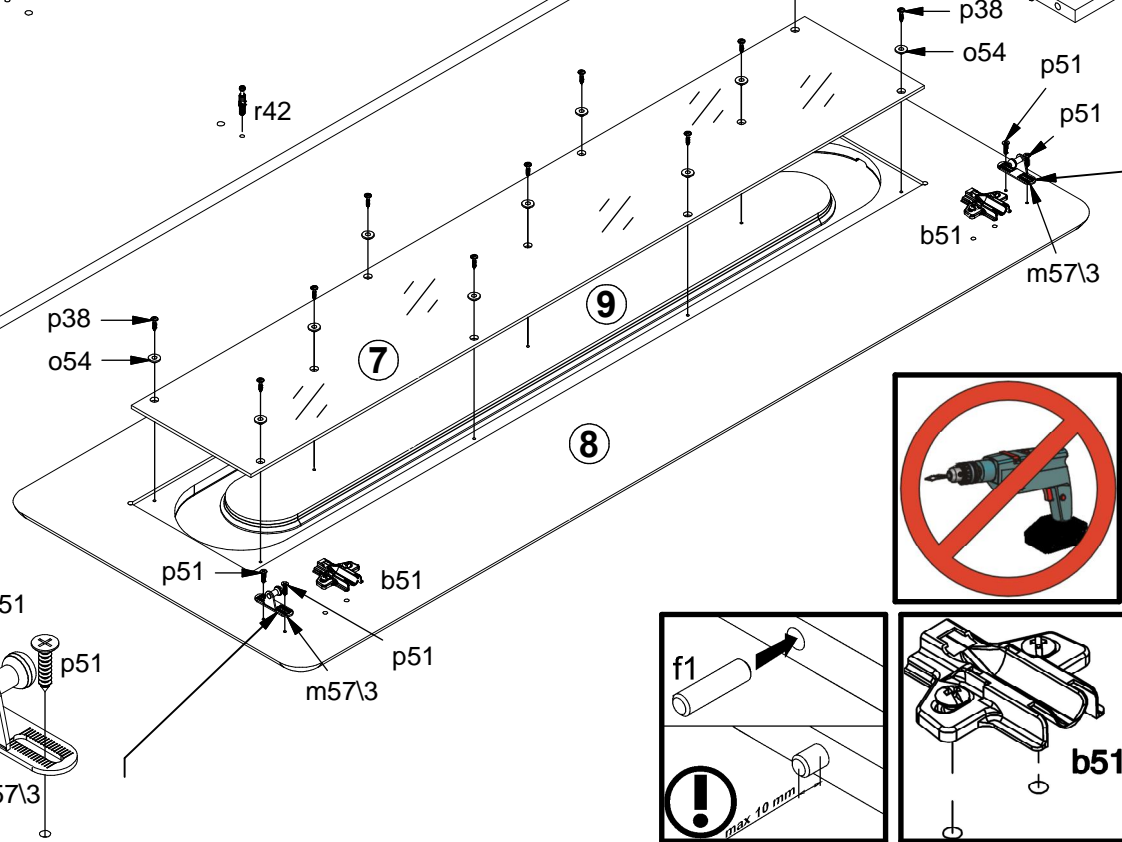
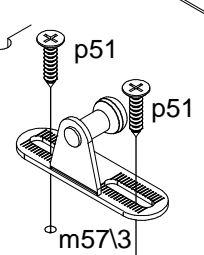
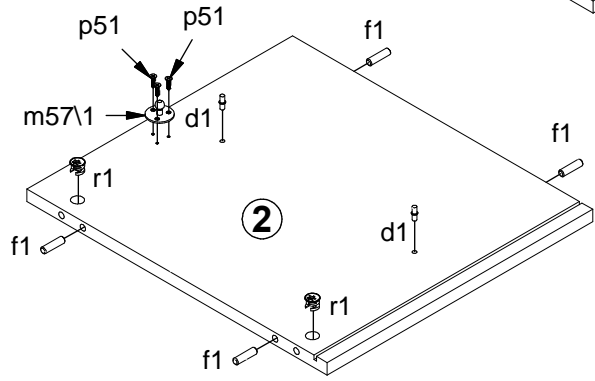
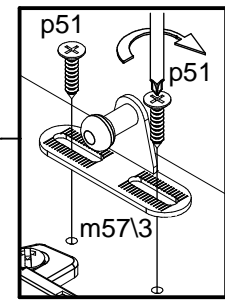
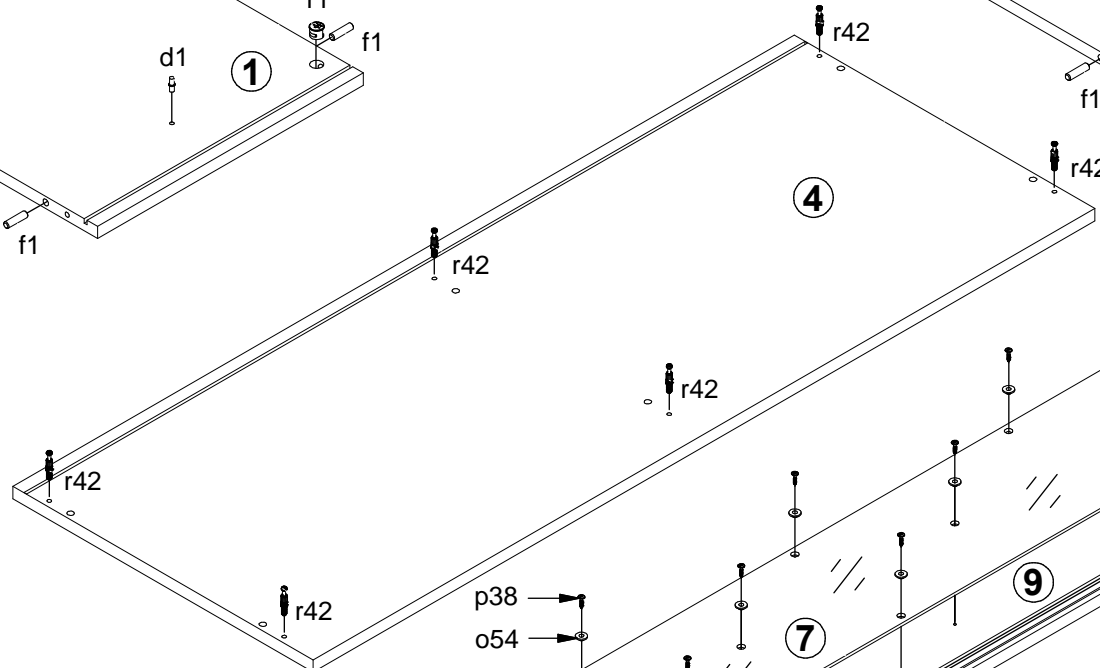
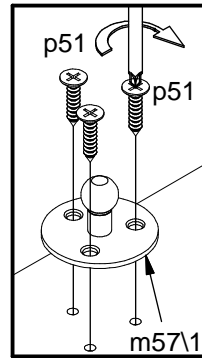
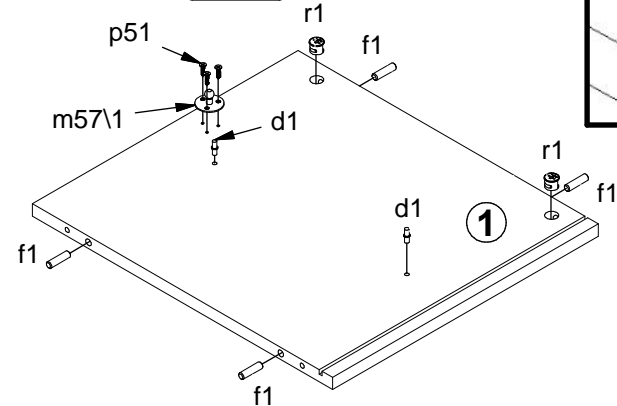
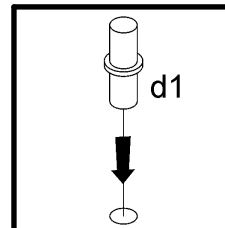
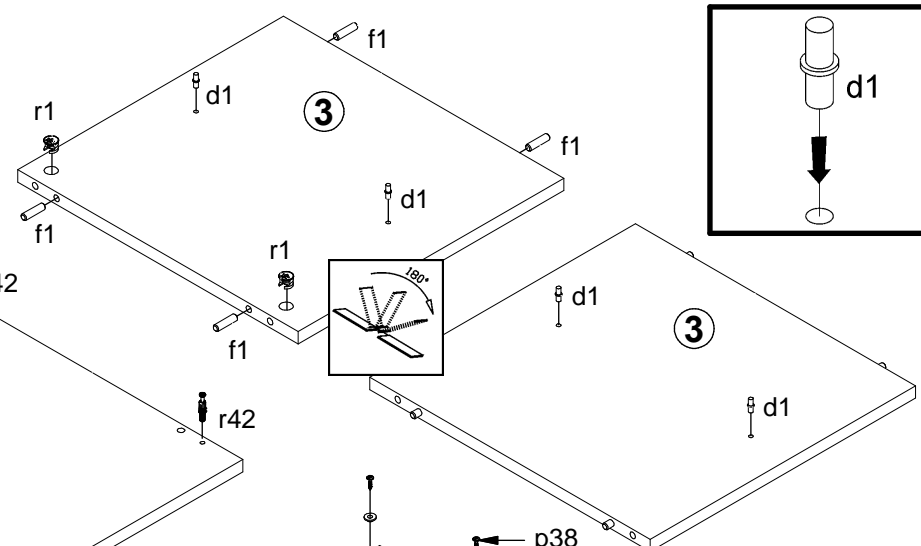
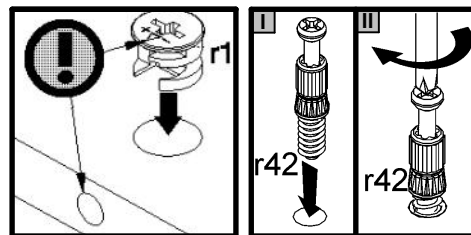
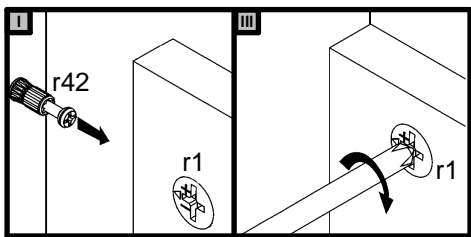
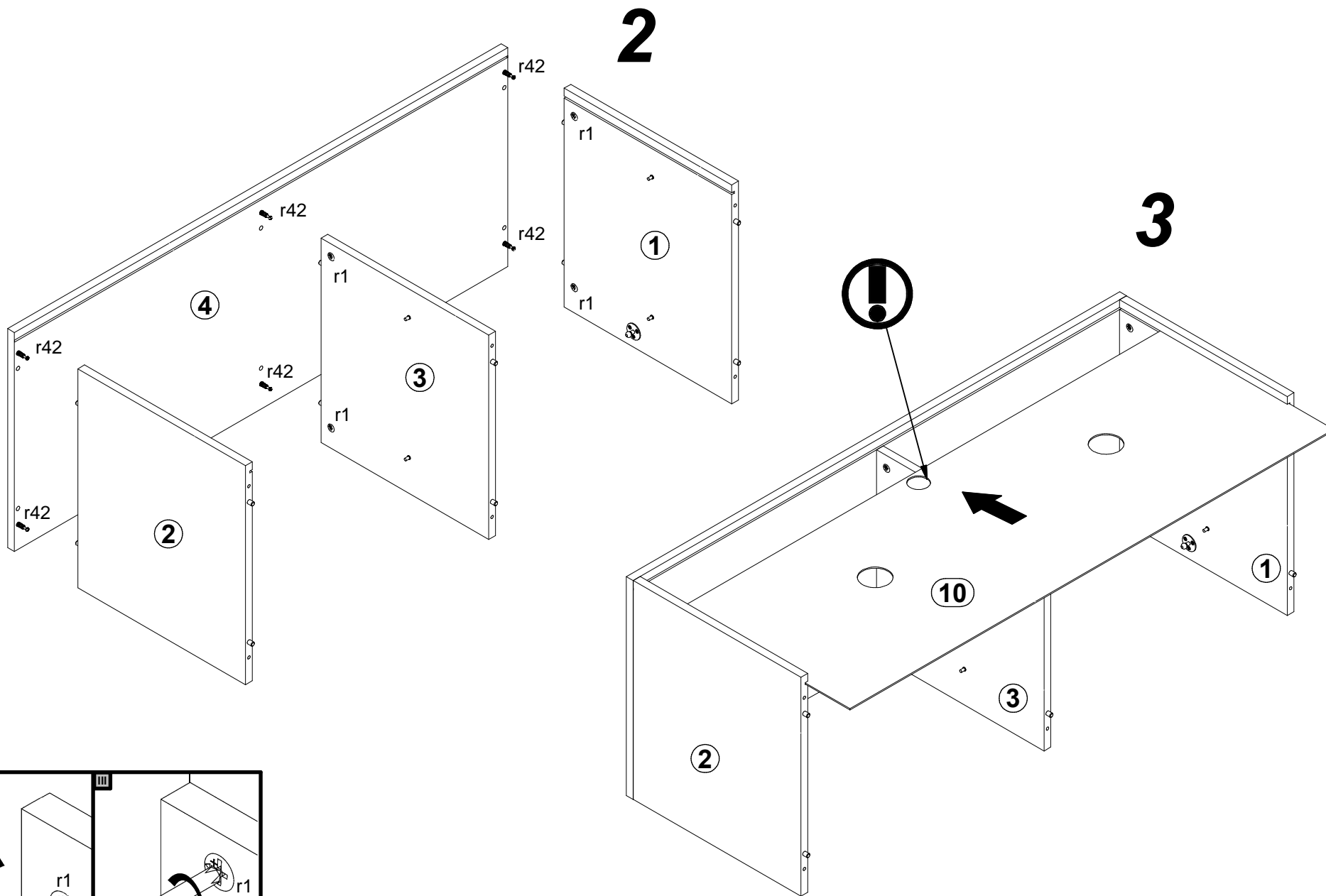


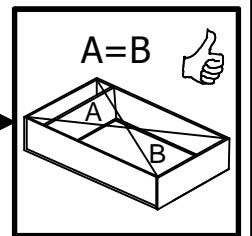
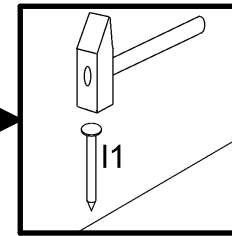
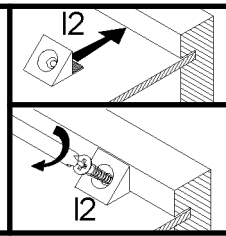
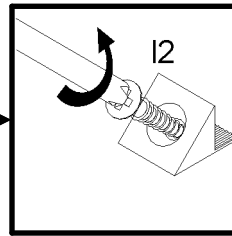
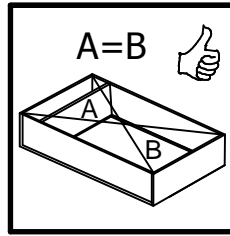
A	B	C (mm)		D
1	S220-1017	398	450	1/2
2	S220-1018	398	450	1/2
3	S220-1019	398	420	1/2
4	S220-2013	1171	450	1/2
5	S220-2014	1171	450	1/2
6	S220-3017	560	380	1/2
7	S220-5506	1009	179	1/2
8	S220-7018	450	1200	2/2
9	S220-7019	100	880	2/2
10	S220-9005	1148	408	1/2



1

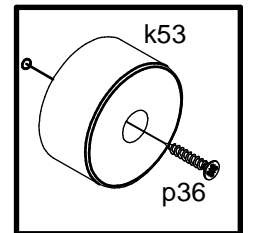
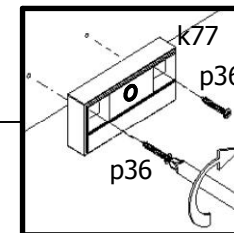
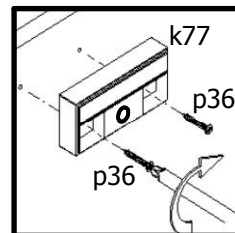
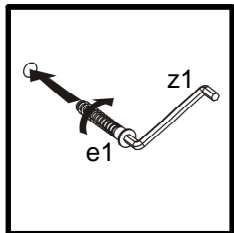
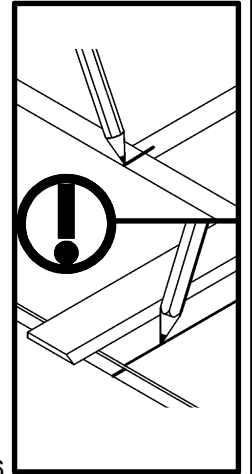
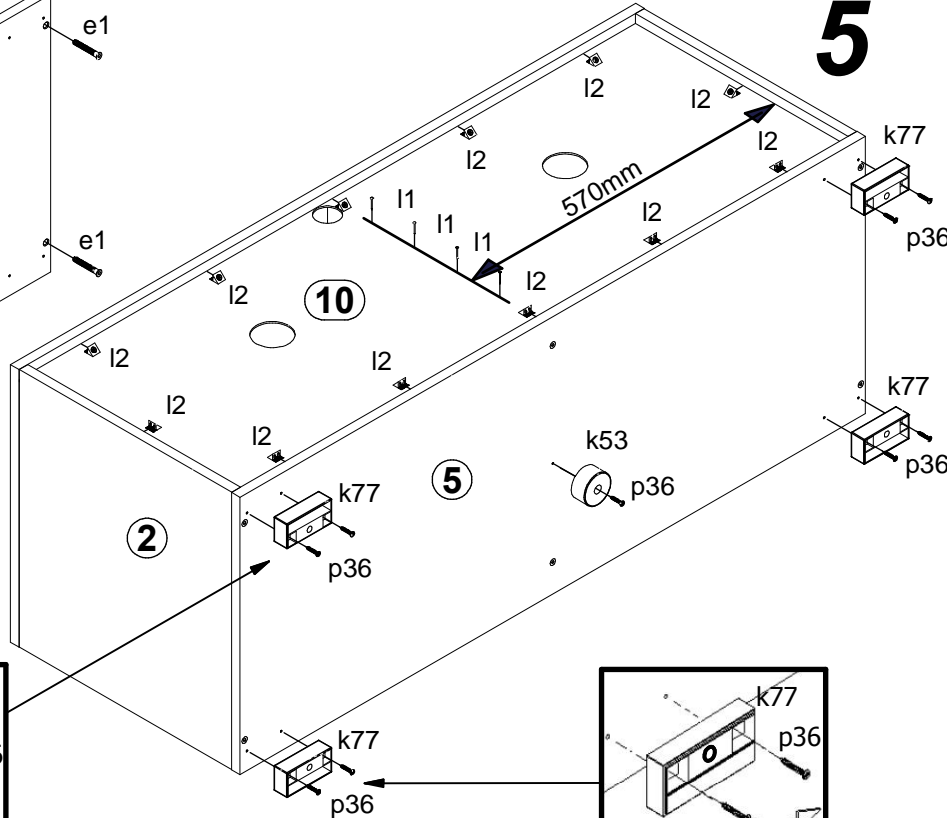
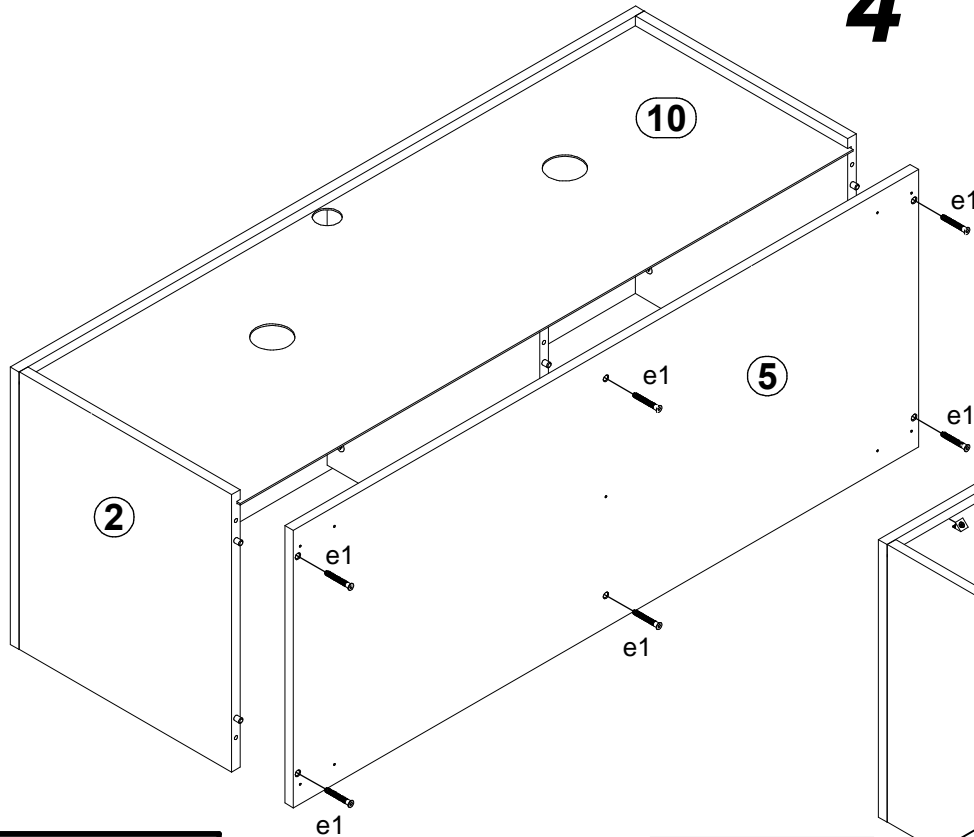






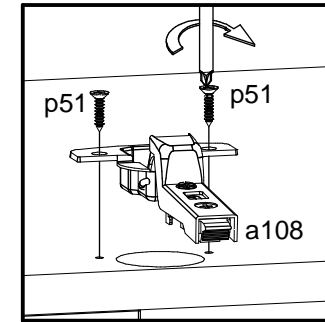
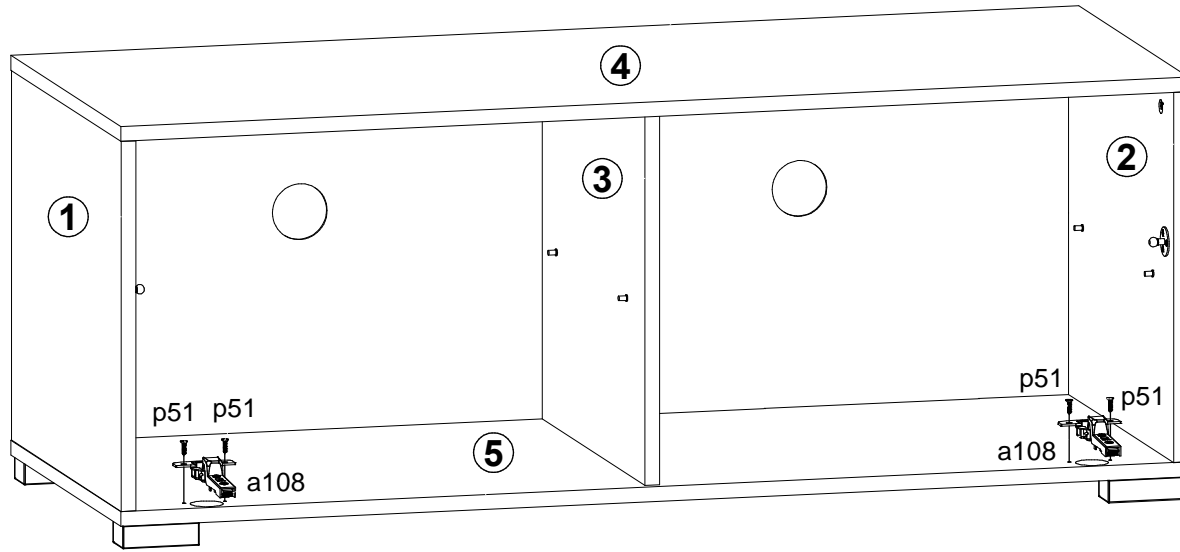
4

5

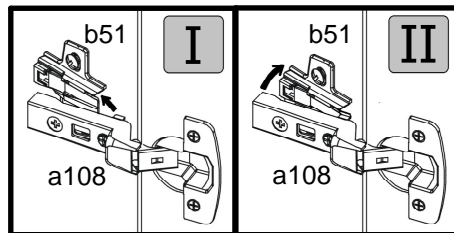
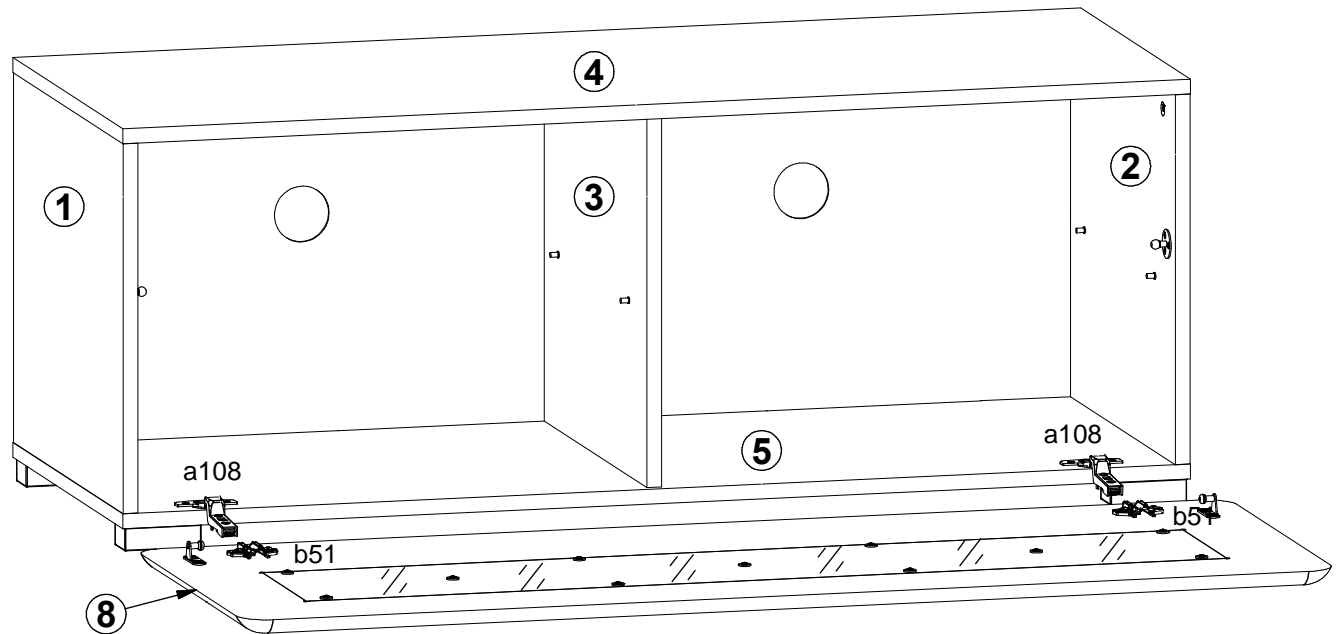




# 6

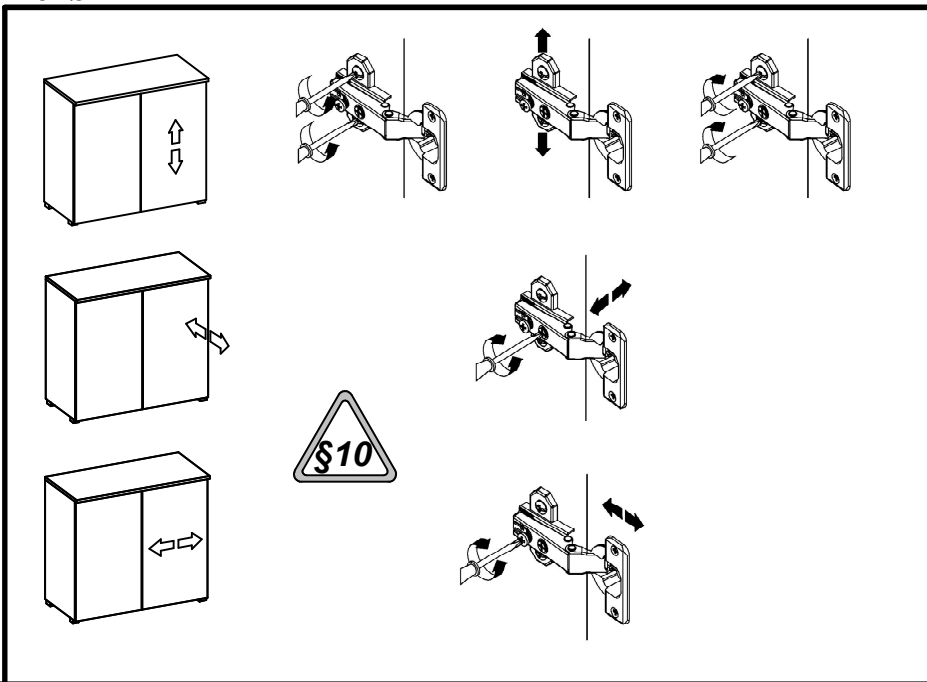
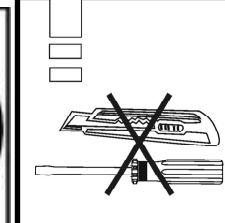
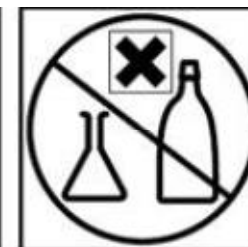
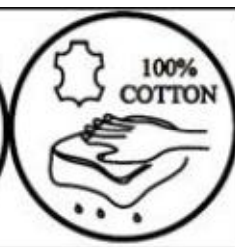
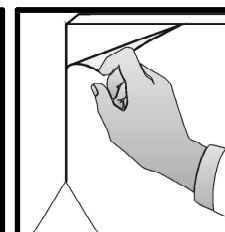
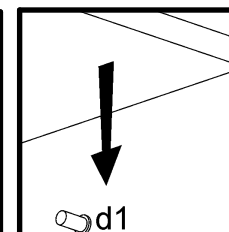
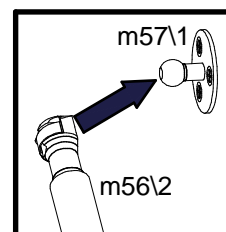
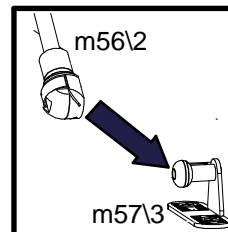
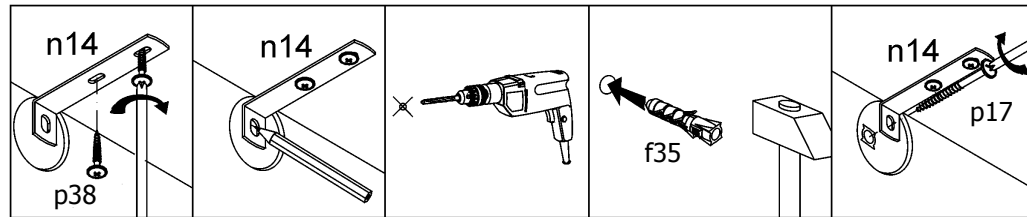
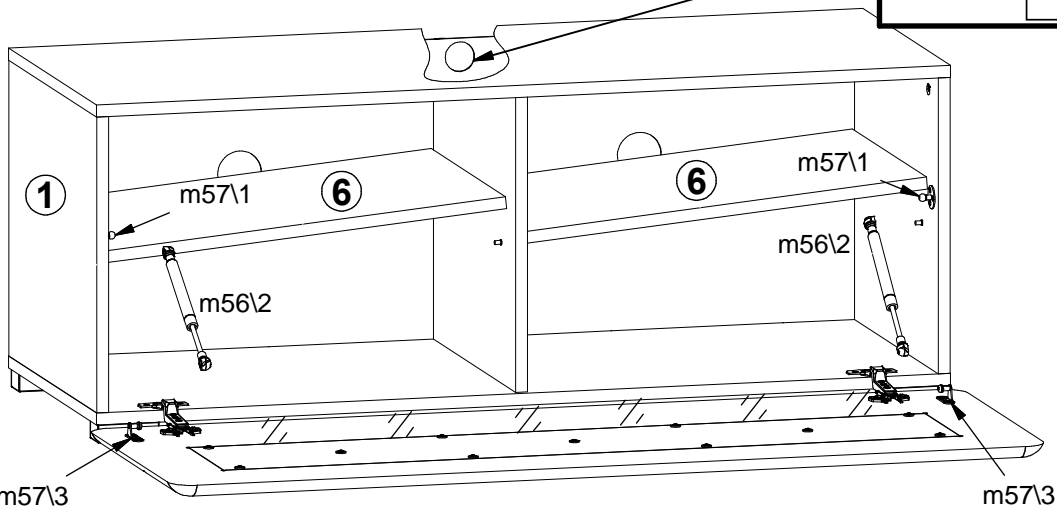


# 7





8



9

