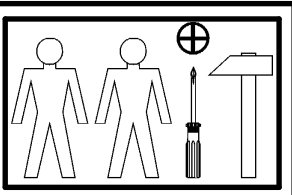
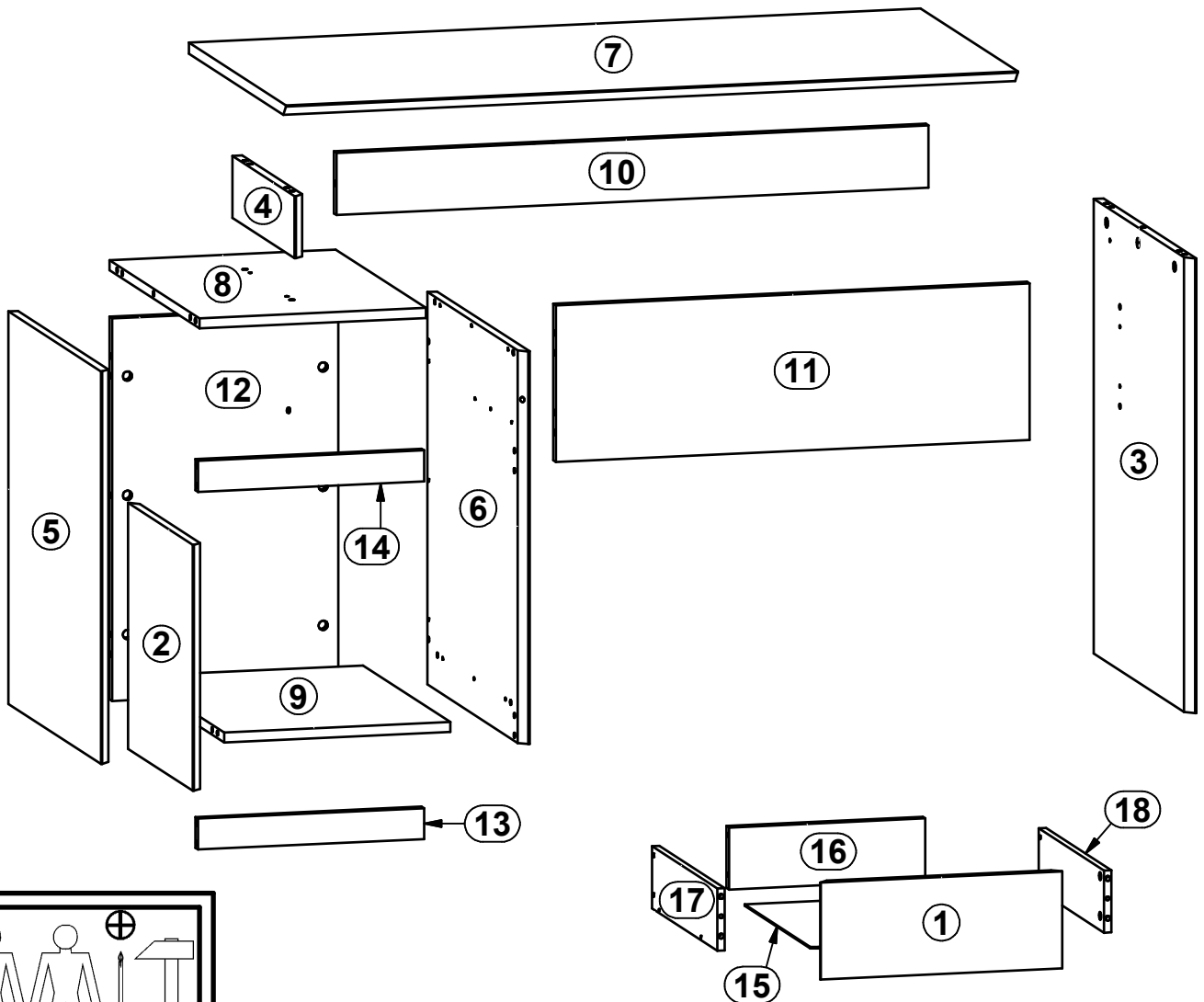
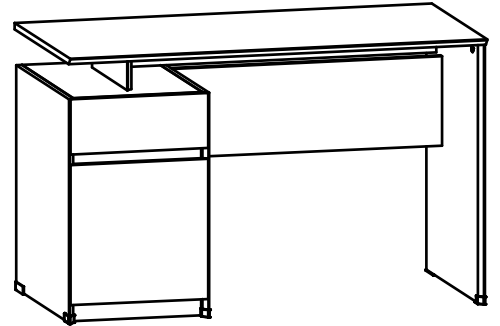
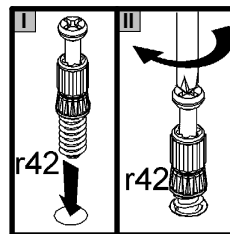
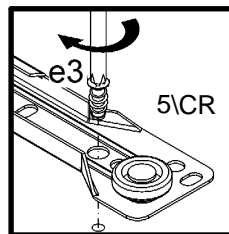
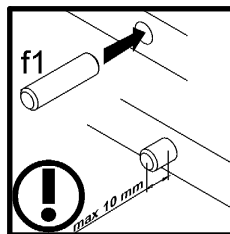
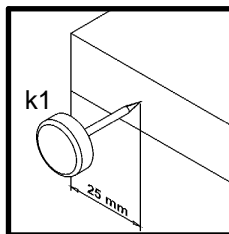
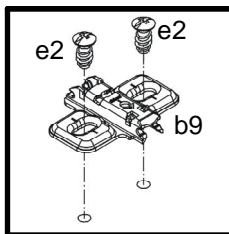
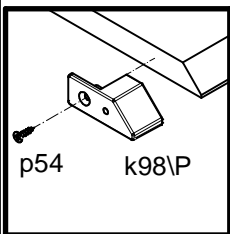
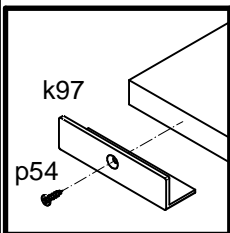
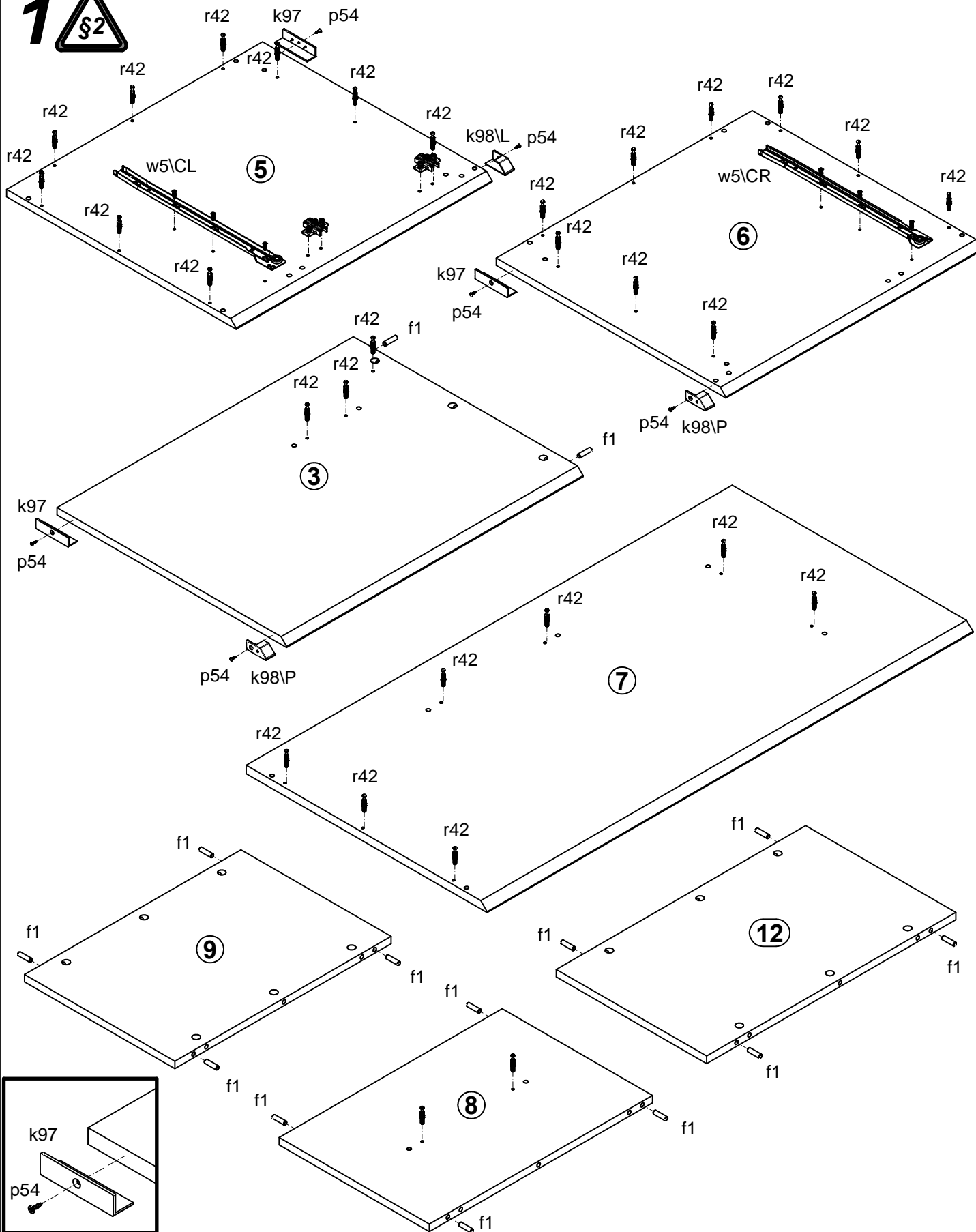


A	B	C	D	A	B	C	D		
1	B04-001	156	396	2/2	10	B04-401	970,5	100	1/2
2	B04-002	396	396	2/2	11	B04-402	777	252	1/2
3	B04-101	732	567	1/2	12	B04-403	616	371	1/2
4	B04-102	100	380	1/2	13	B04-404	371	50	1/2
5	B04-103	632	567	1/2	14	B04-405	371	50	1/2
6	B04-104	632	567	1/2	15	B04-901	344	405	1/2
7	B04-201	1200	595	1/2	16	ZS3-5605	322	100	1/2
8	B04-301	371	551	1/2	17	ZS4-511	400	100	1/2
9	B04-302	371	534,5	1/2	18	ZS4-512	400	100	1/2

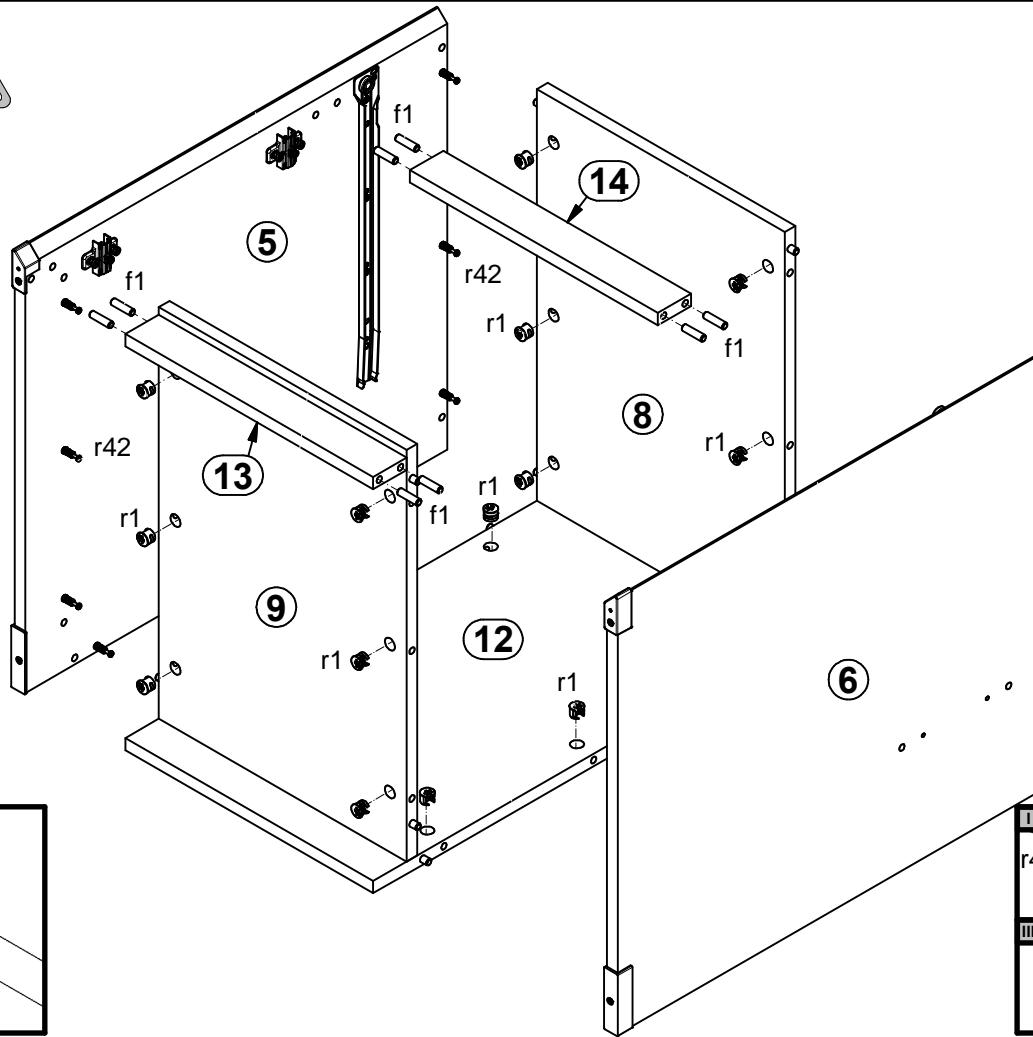


2x a131	2x b67	6x Ø6x13 mm e3	4x Ø5x9 mm e19	32x Ø8x30 mm f1	2x Ø6x30 mm f9	4x Ø6,5x40 mm f25	3x k97	1x k98/L	
2x k98/P	4x silikon o21	3x Ø3,5x16 mm p38	4x Ø3,5x15 mm p51	6x Ø3x12 mm p54	33x Ø15x12 mm #16 r1	4x Ø12x10,5 mm #12 r15	37x r42	19x Ø16 s2	
1x 400 mm w5/CL	1x 400 mm w5/CR	1x 400 mm w5/DL	1x 400 mm w5/DR						

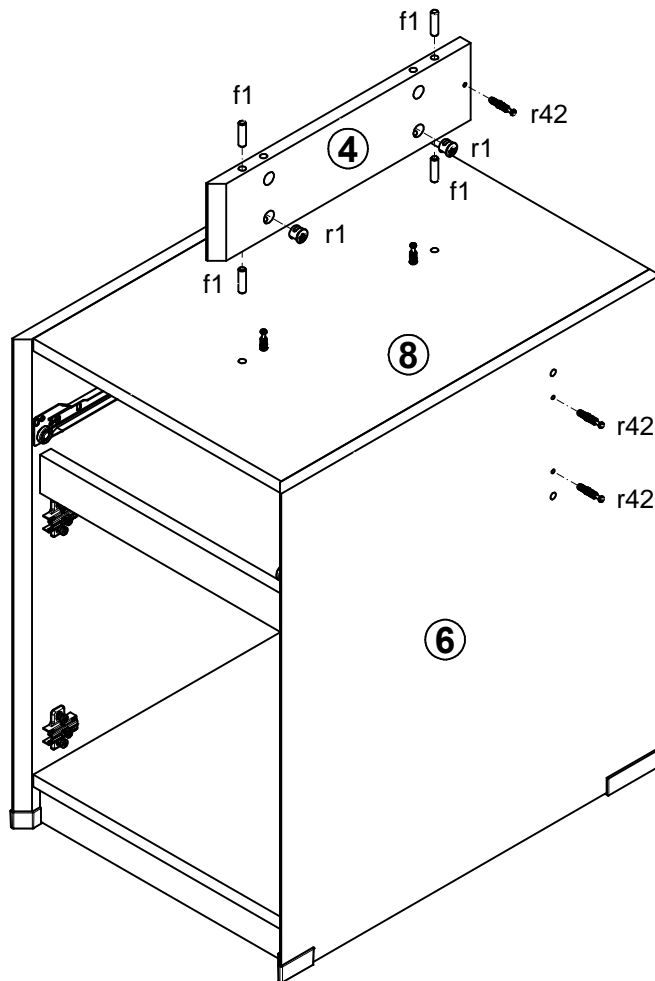
1 



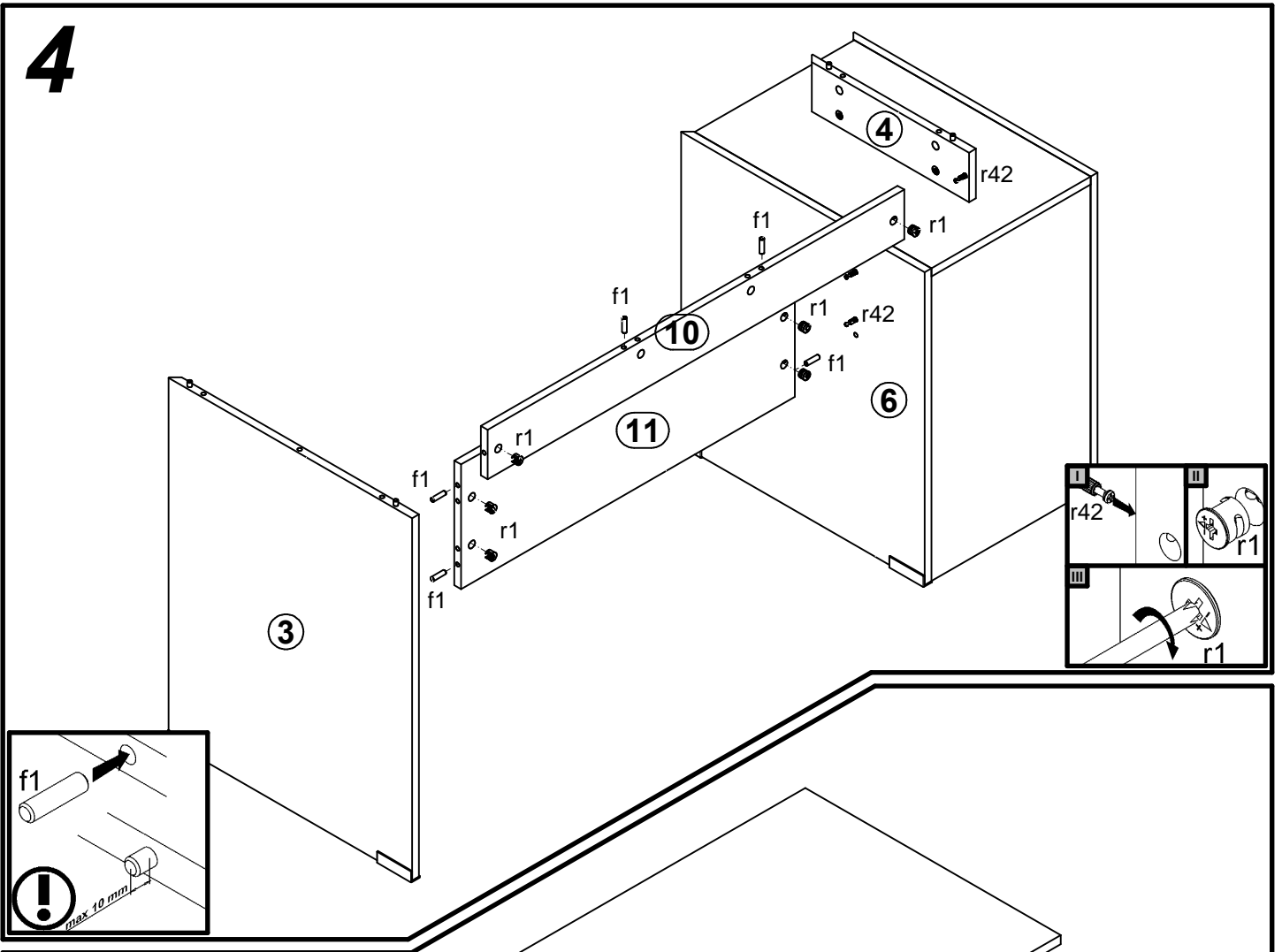
2



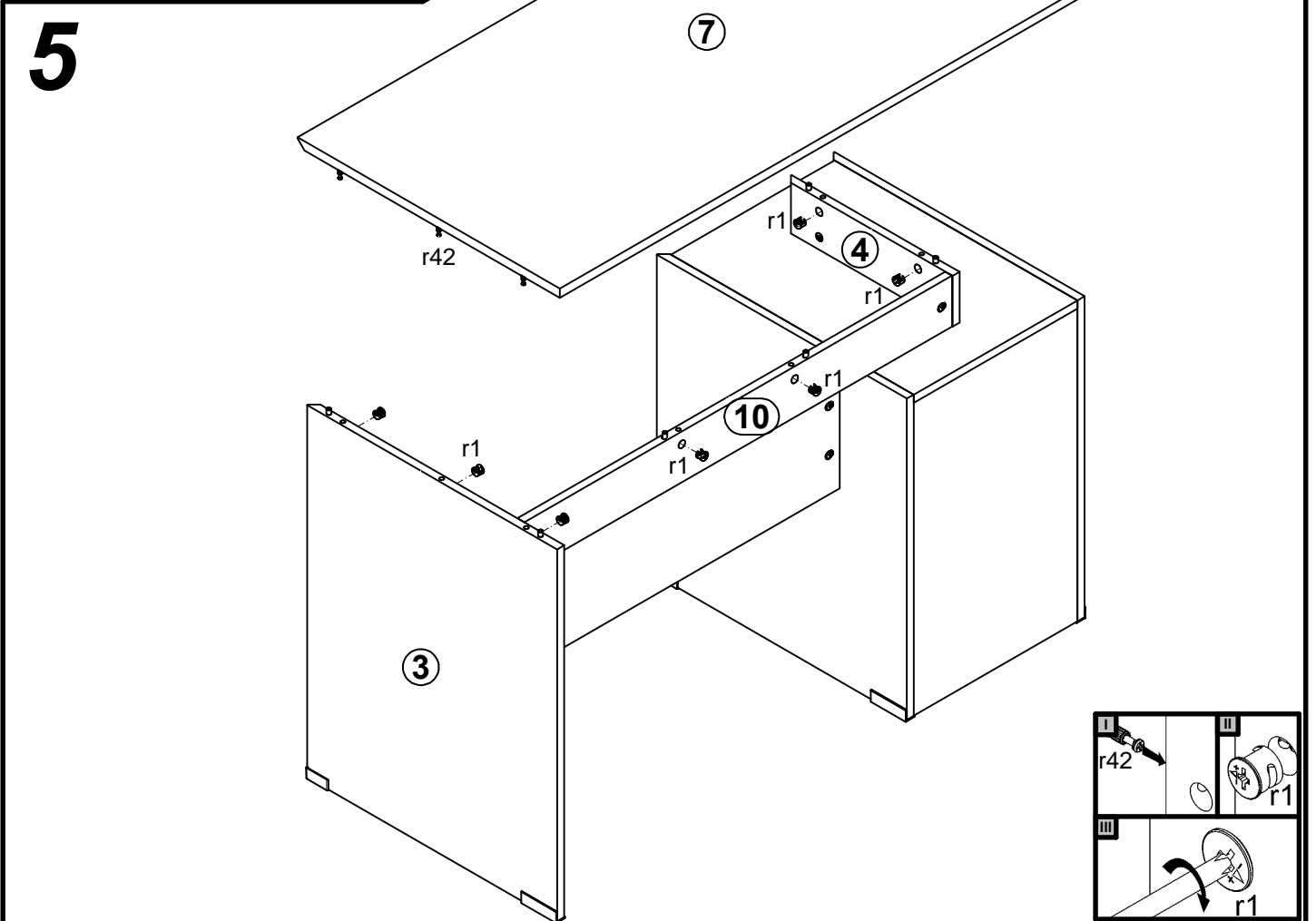
3



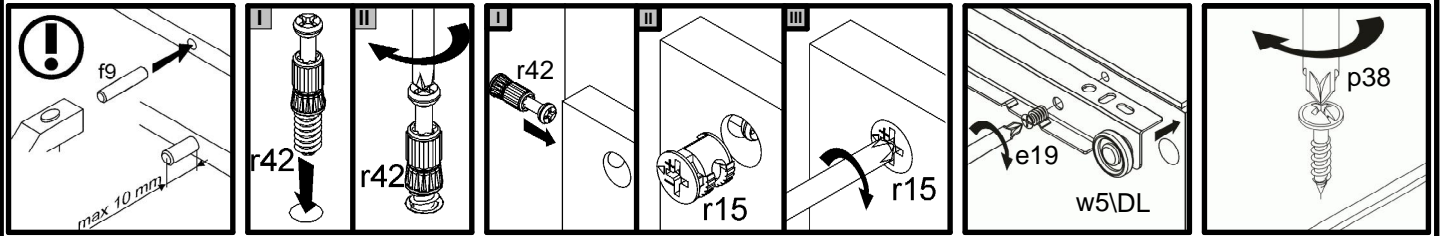
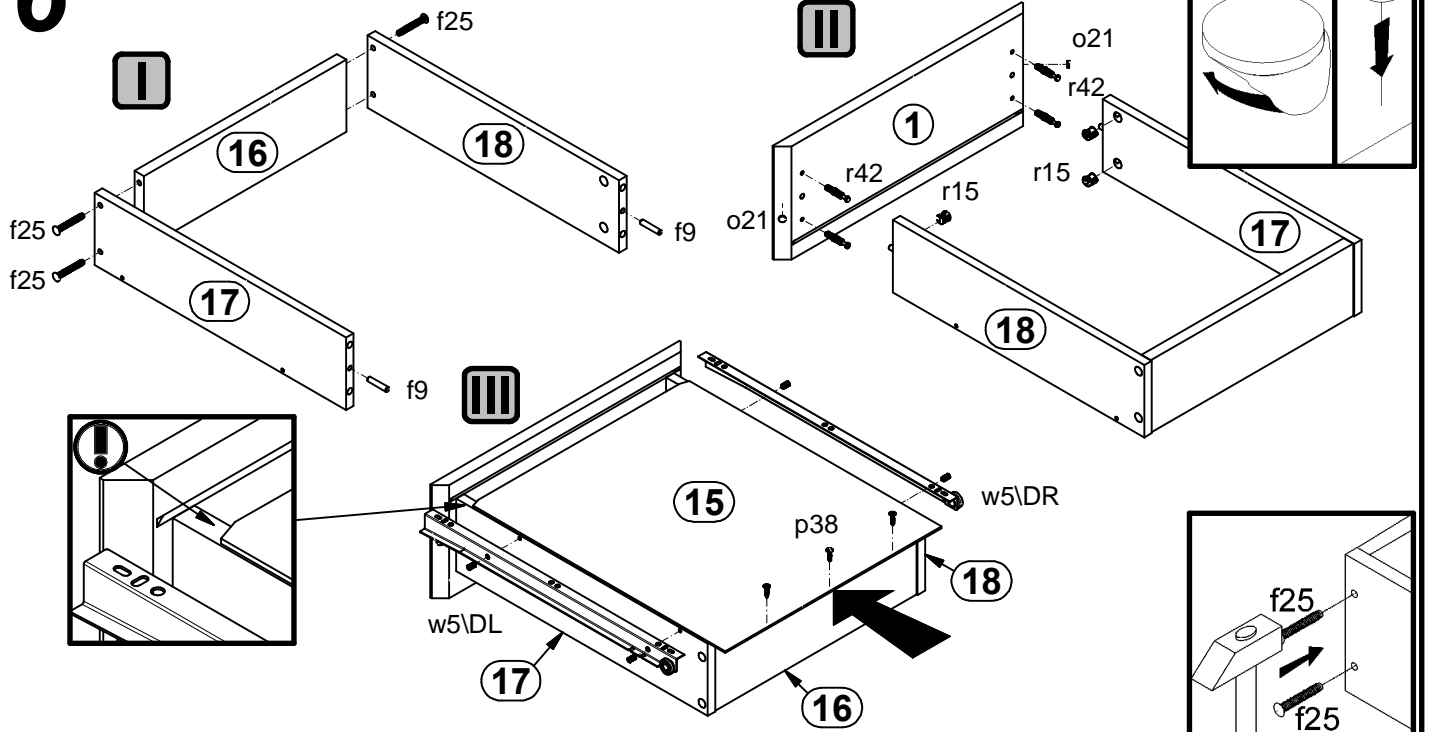
4



5



6



7

