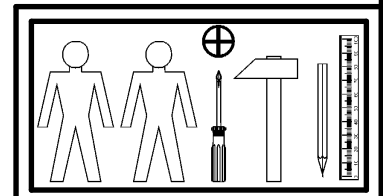
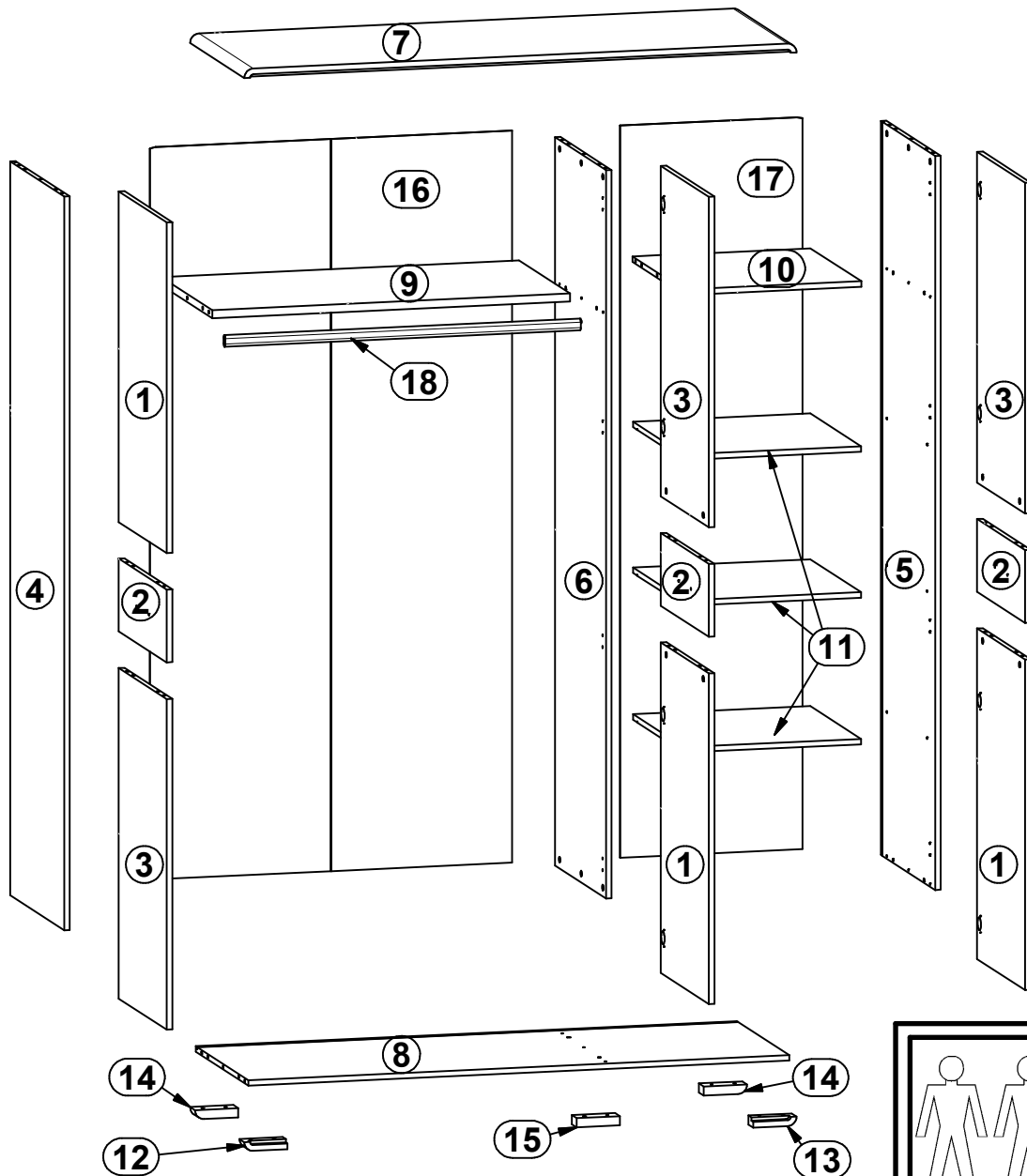
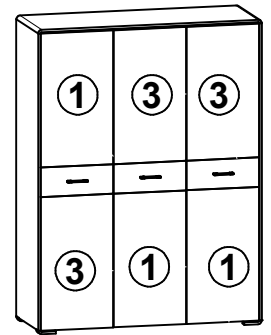
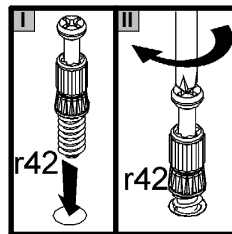
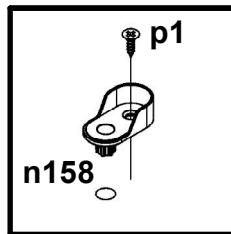
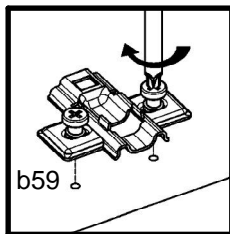
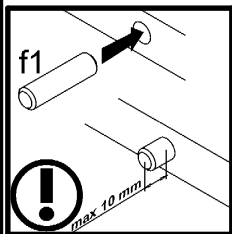
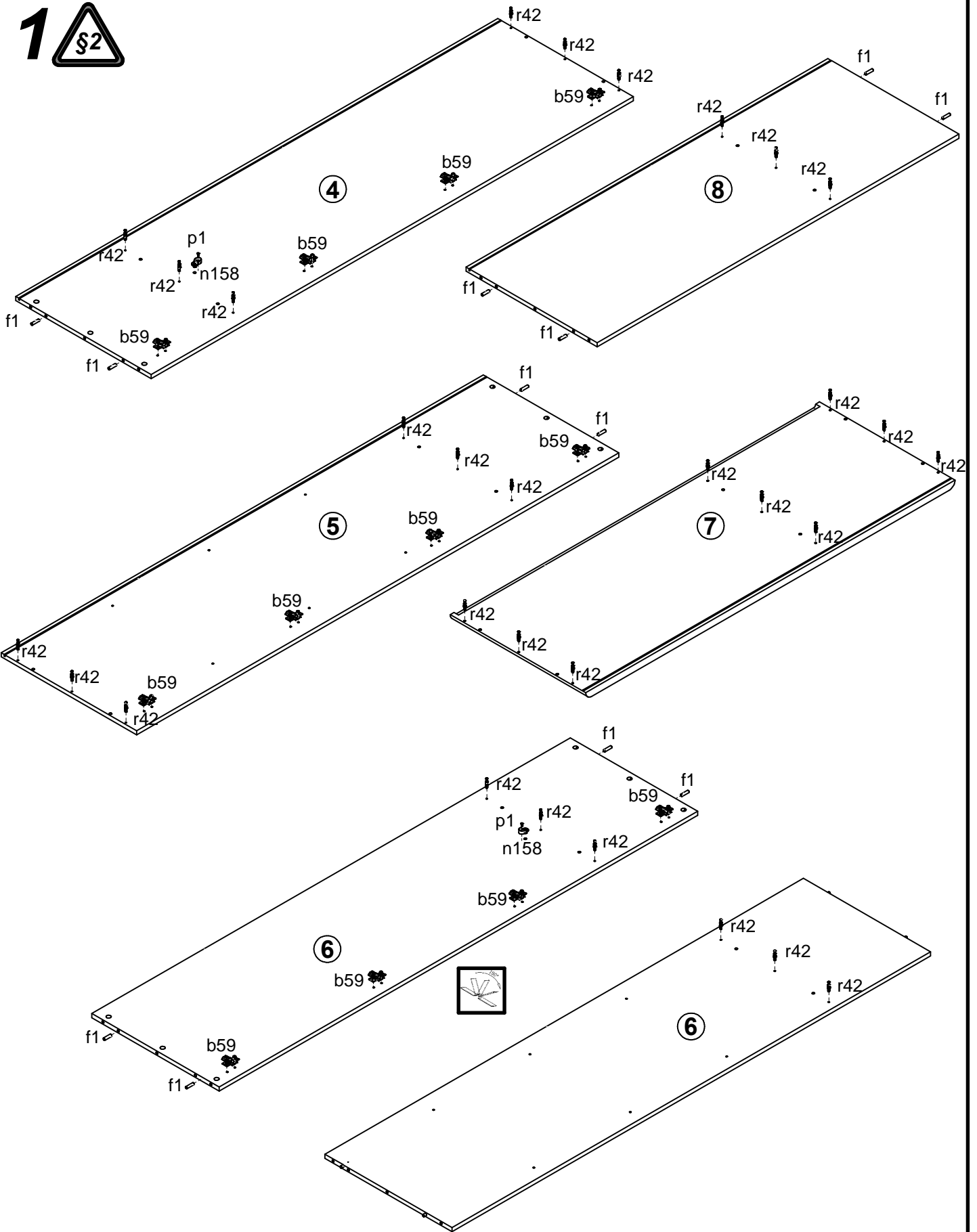


A	B	C	D	A	B	C	D		
1	S332-0017	901	496	3/3	10	S332-3018	493	528	2/3
2	S332-0018	496	198	3/3	11	S332-3019	492	525	2/3
3	S332-0019	901	496	3/3	12	S332-5001	120	50	2/3
4	S332-1023	2000	562	1/3	13	S332-5002	120	50	2/3
5	S332-1024	2000	562	1/3	14	S332-5003	120	50	2/3
6	S332-1025	1985	528	1/3	15	S332-5004	120	50	2/3
7	S332-2010	1532	562	2/3	16	S332-9303	1995	1005	1/3
8	S332-3016	1501	544	2/3	17	S332-9016	1995	505	1/3
9	S332-3017	993	528	2/3	18	dr-986	986	30	2/3

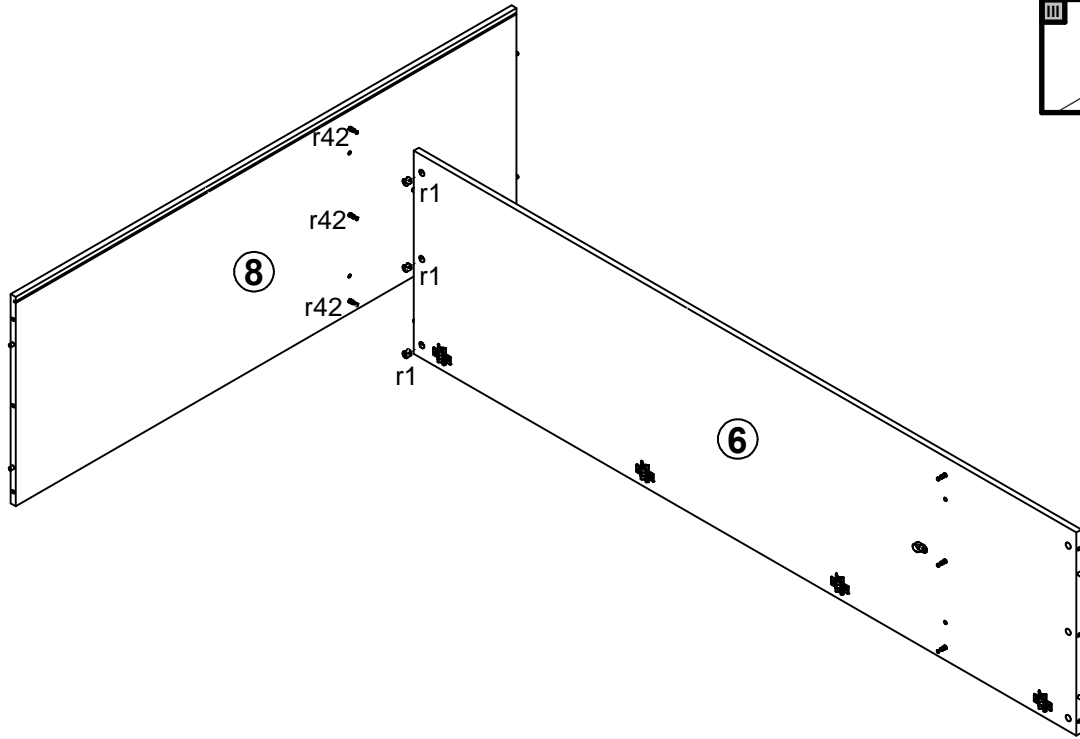


8x K16: 435 a101	4x K3: 435 a103	12x DZ b59	3x 128 mm c424	12x Ø5x17 mm d1	10x Ø6x22 mm e31	32x Ø8x30 mm f1	6x M4x22 mm j30	55x l1
20x i2	2x n158	2x Ø3.5x13 mm p1	24x Ø3.5x15 mm p51	42x Ø15x12 mm #16 r1	42x 20/11 r42	24x Ø16 s2	12x Ø15 s51	1x n26/1
1x Ø3.5x16 mm p38								

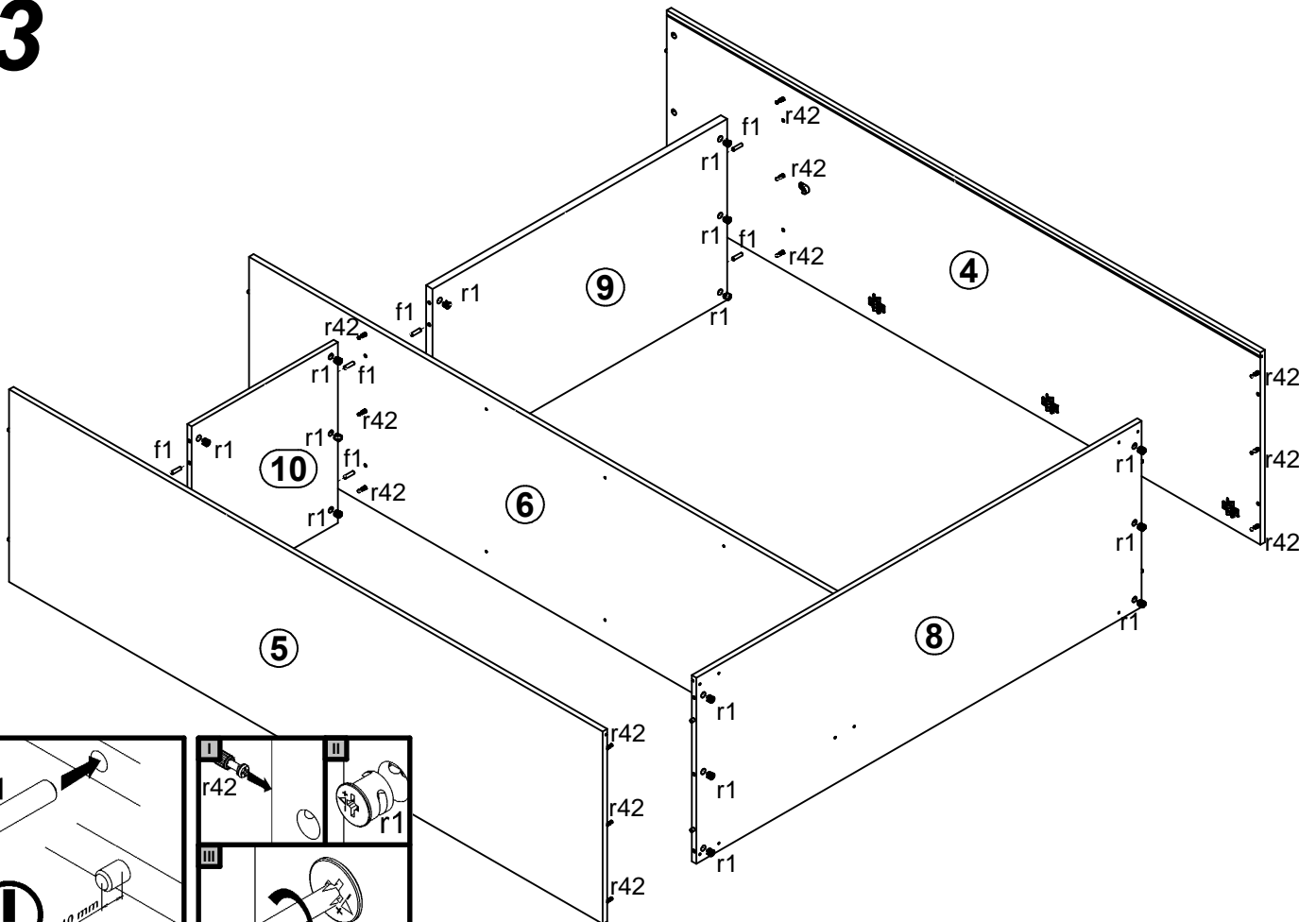
1 



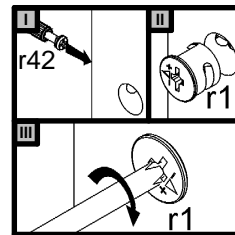
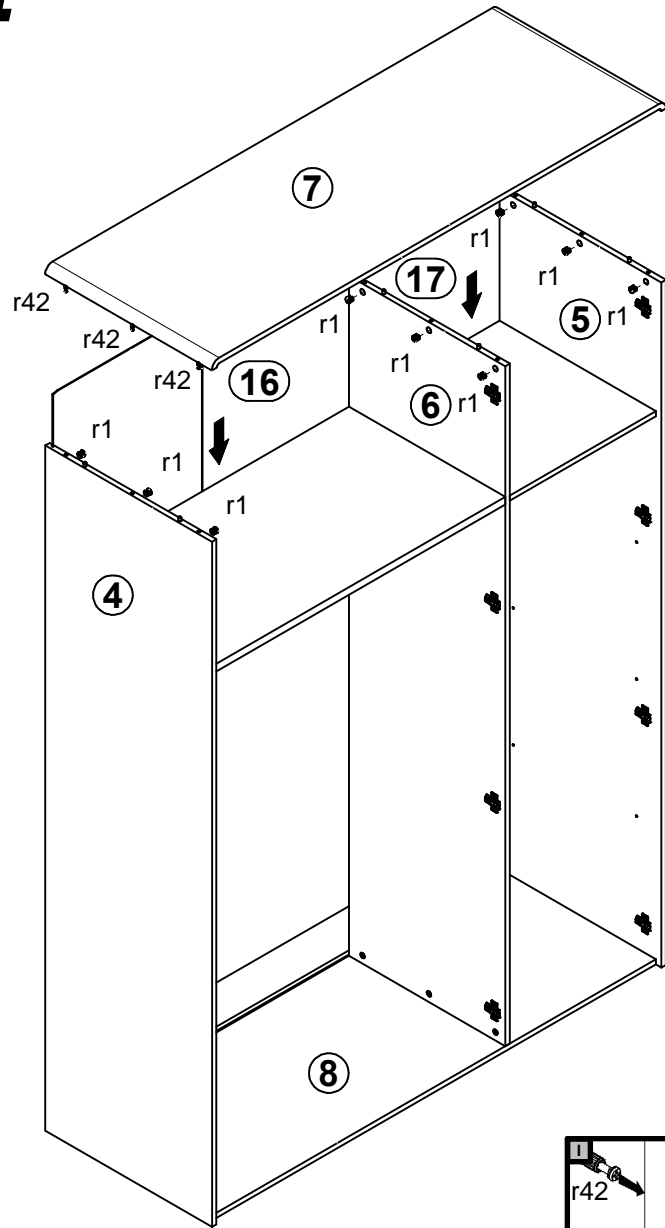
2



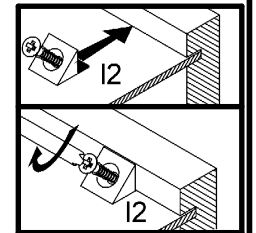
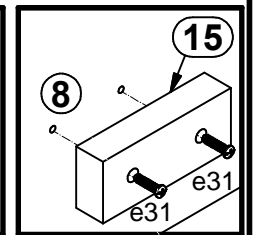
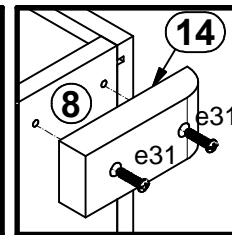
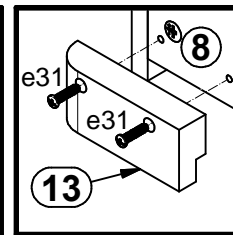
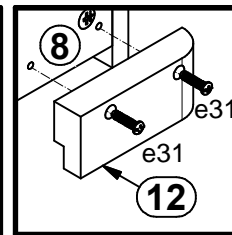
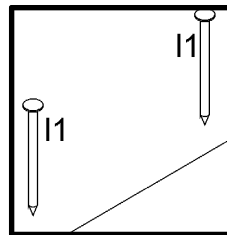
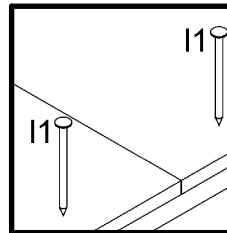
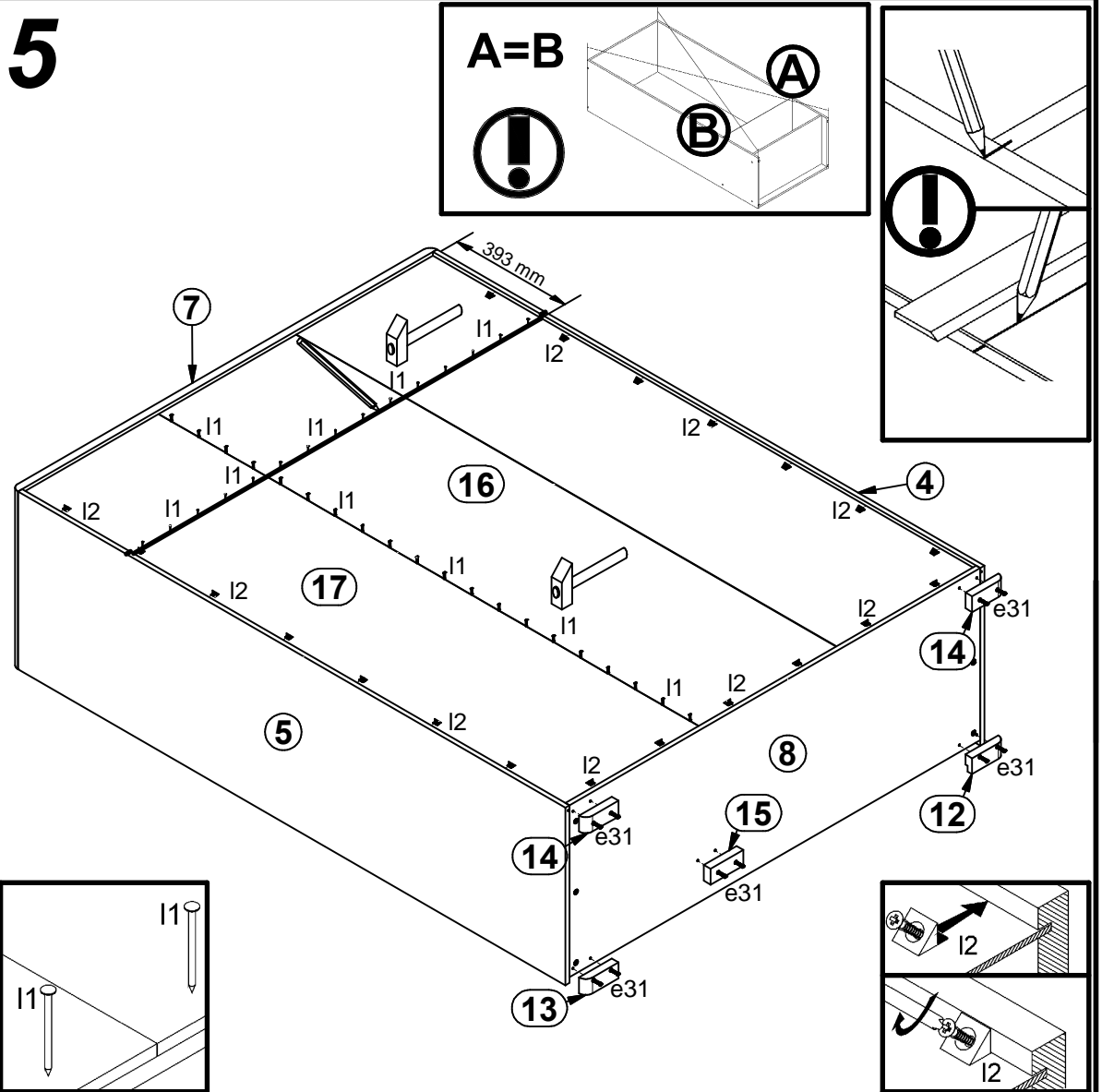
3



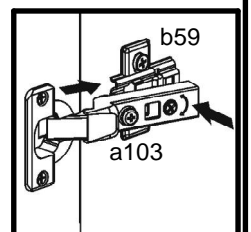
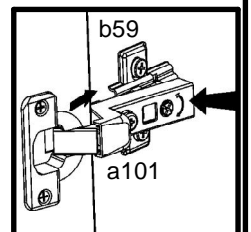
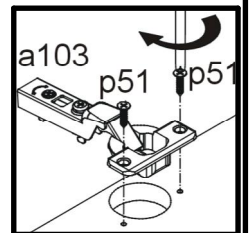
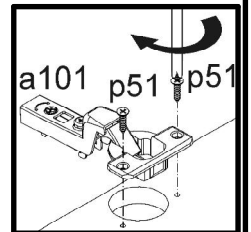
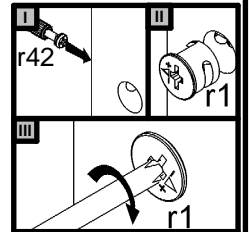
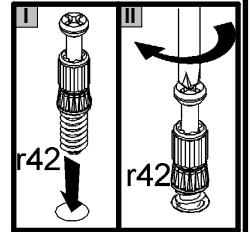
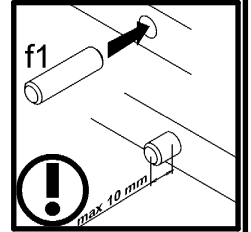
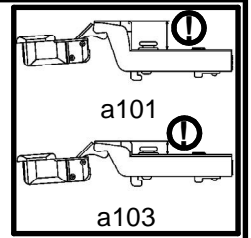
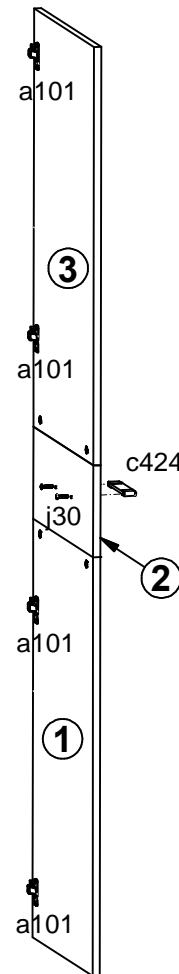
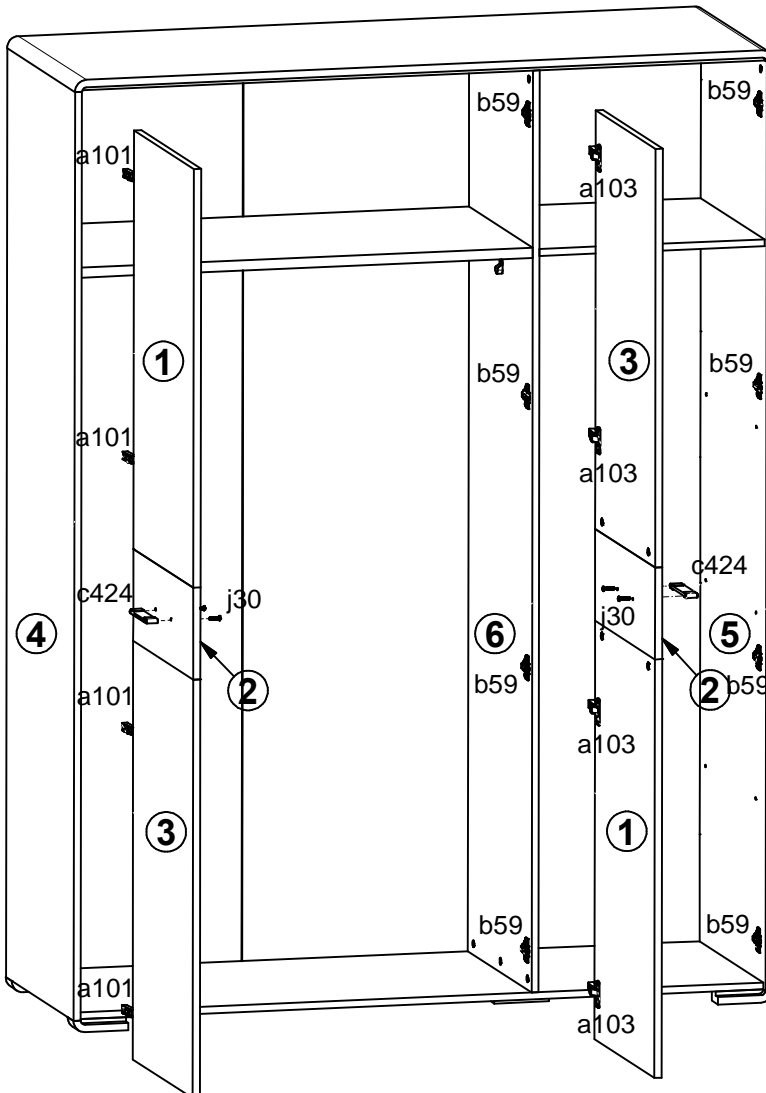
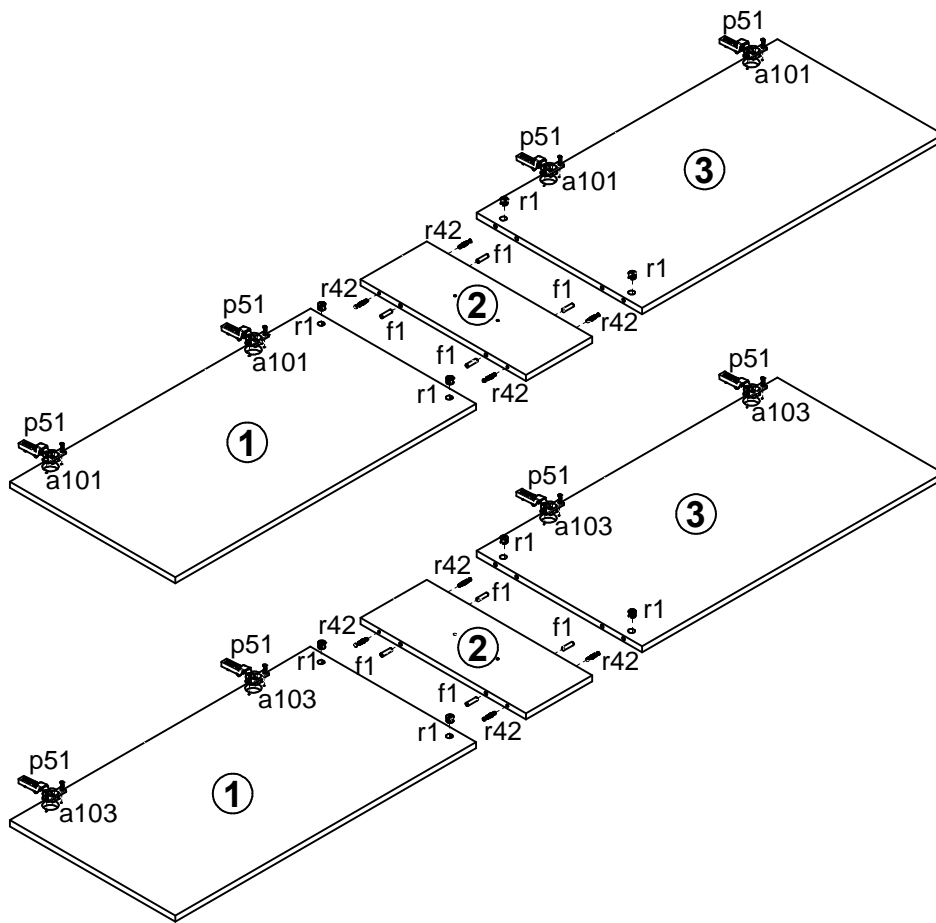
4



5



6



7

