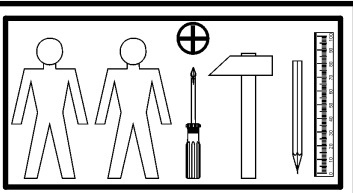
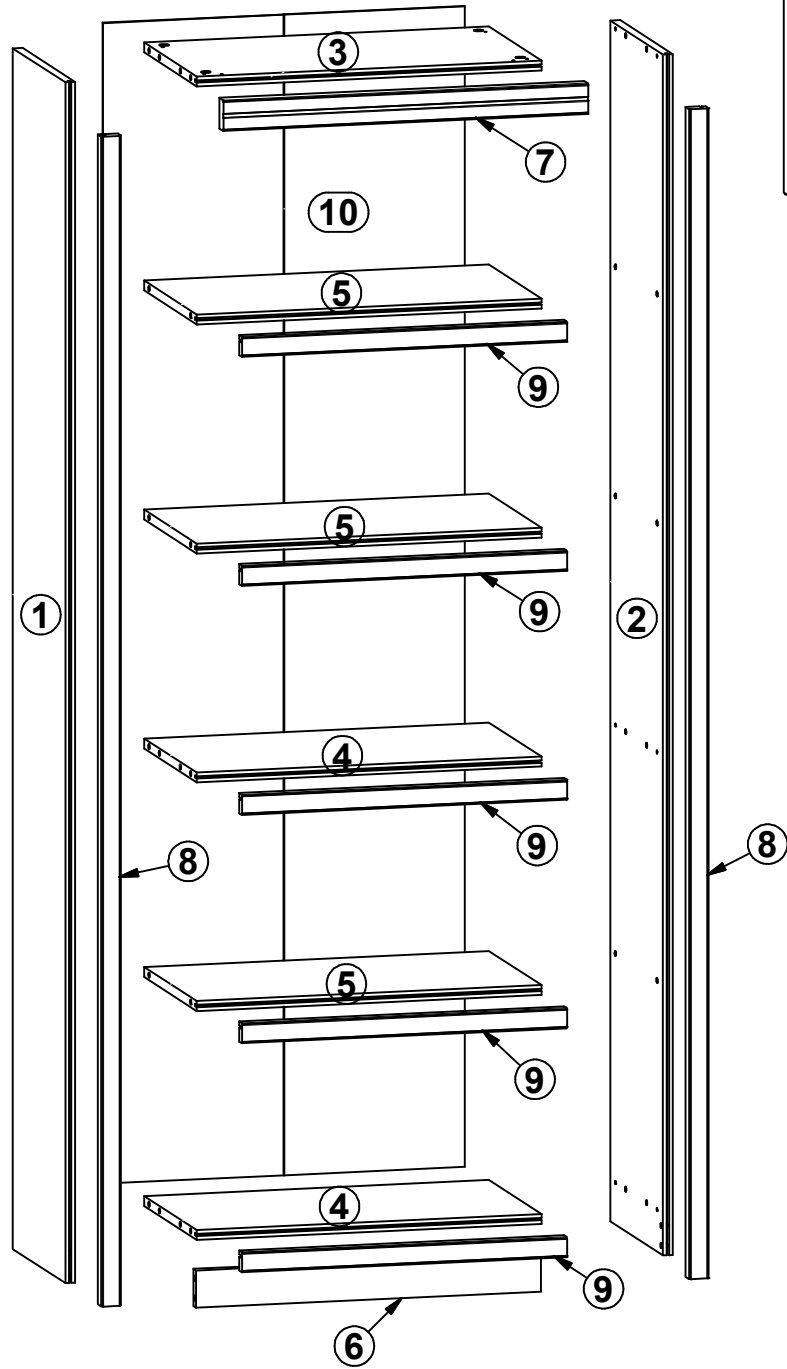
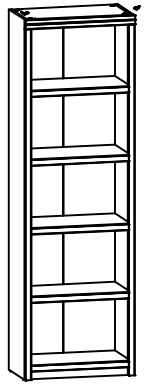


# BIGGER

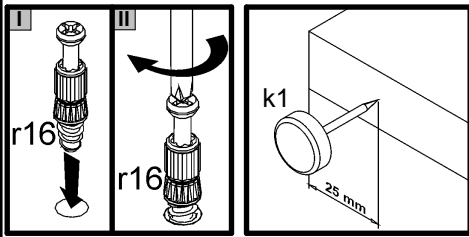
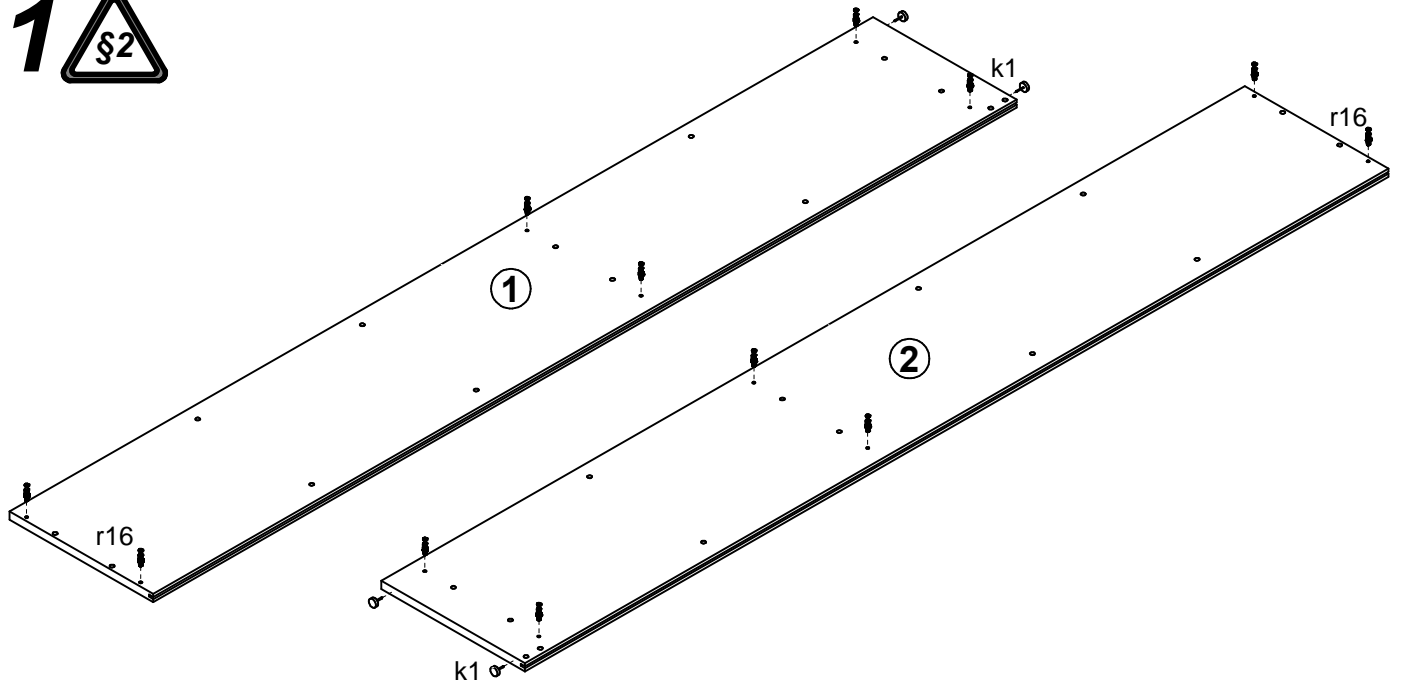
S78-REG/60

A	B	C	D
1	S78-105	1940	323
2	S78-106	1940	323
3	S78-306	567	323
4	S78-307	567	323
5	S78-308	567	323
6	S78-401	567	60
7	S78-509	600	50
8	S78-510	1890	33
9	S78-511	534	33
10	S78-903	1875	595

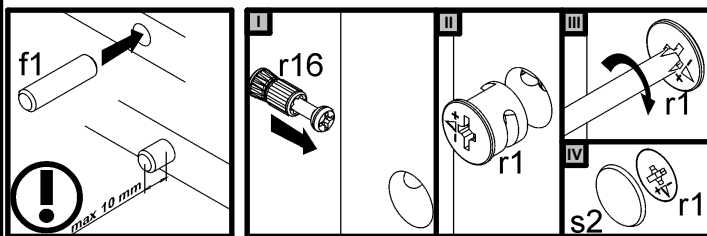
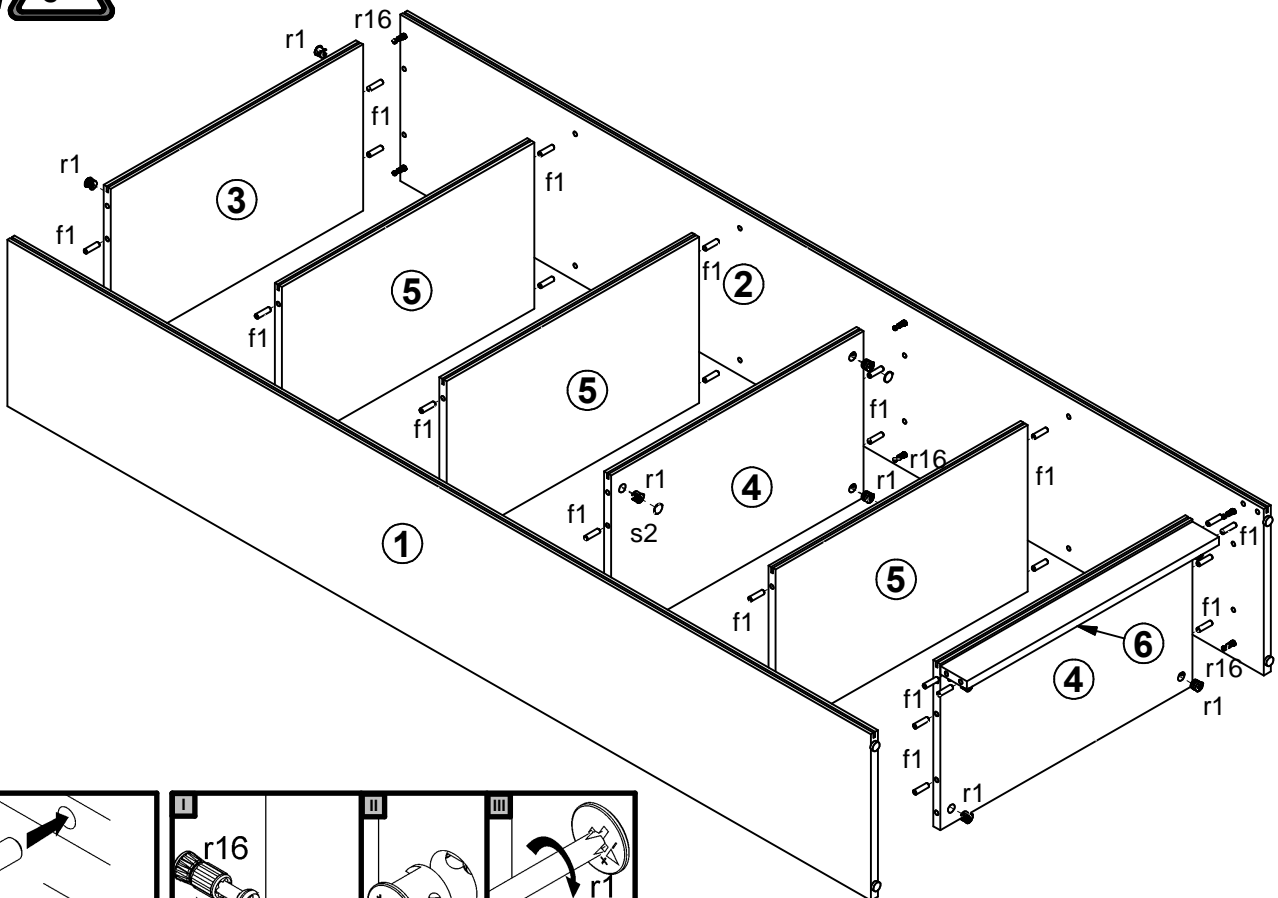


- 28x  $\phi 8 \times 30$  mm **f1**
- 34x  $46 \times 18 \frac{1}{4}$  mm **f11**
- 4x **k1**
- 55x **l1**
- 12x  $\phi 15 \times 12$  mm #16 **r1**
- 12x **r16**
- 4x  $\phi 16$  **s2**
- 1x **GLUE y1**
- 1x **n26\1**
- 1x  $\phi 3.5 \times 16$  mm **p38**

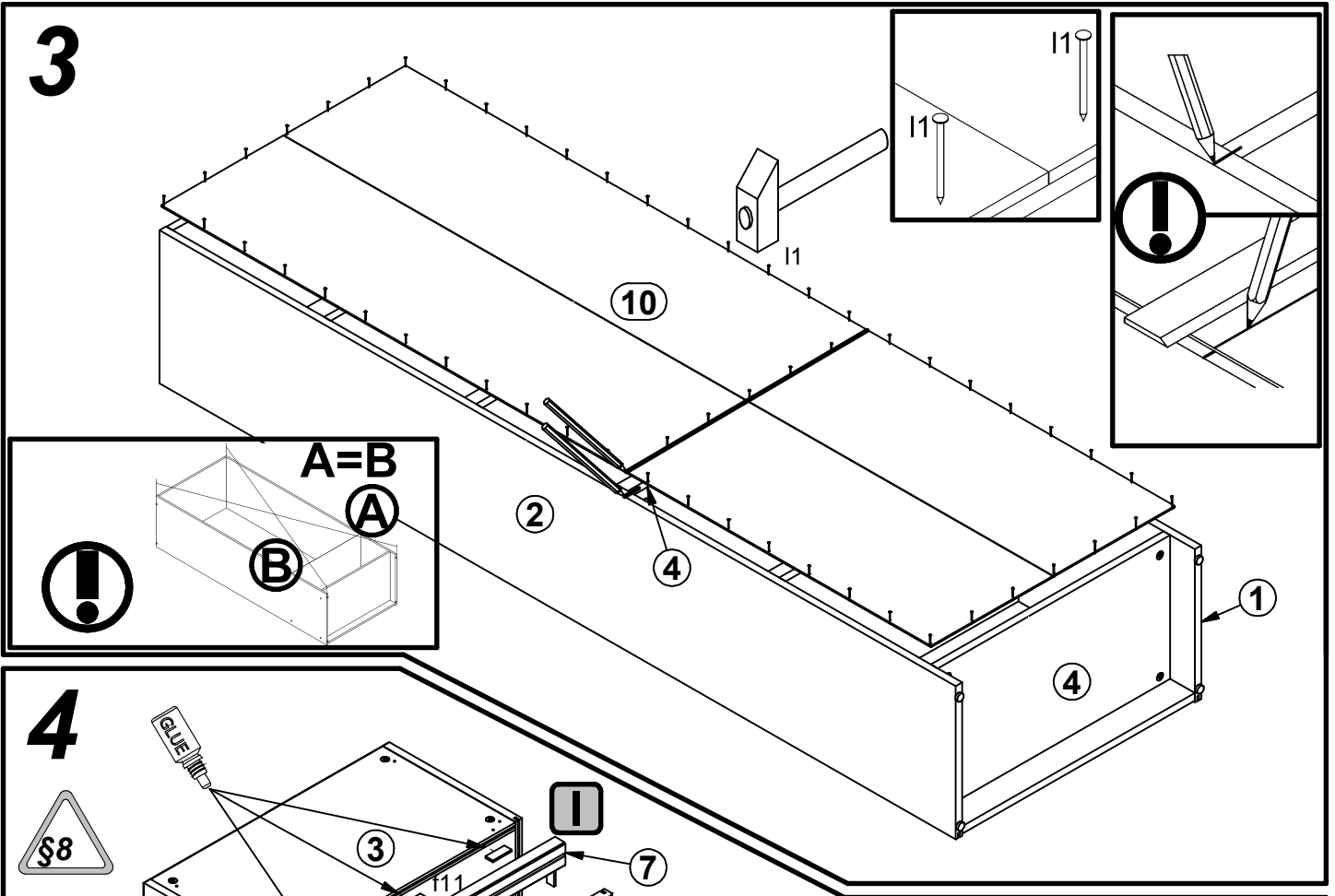
# 1



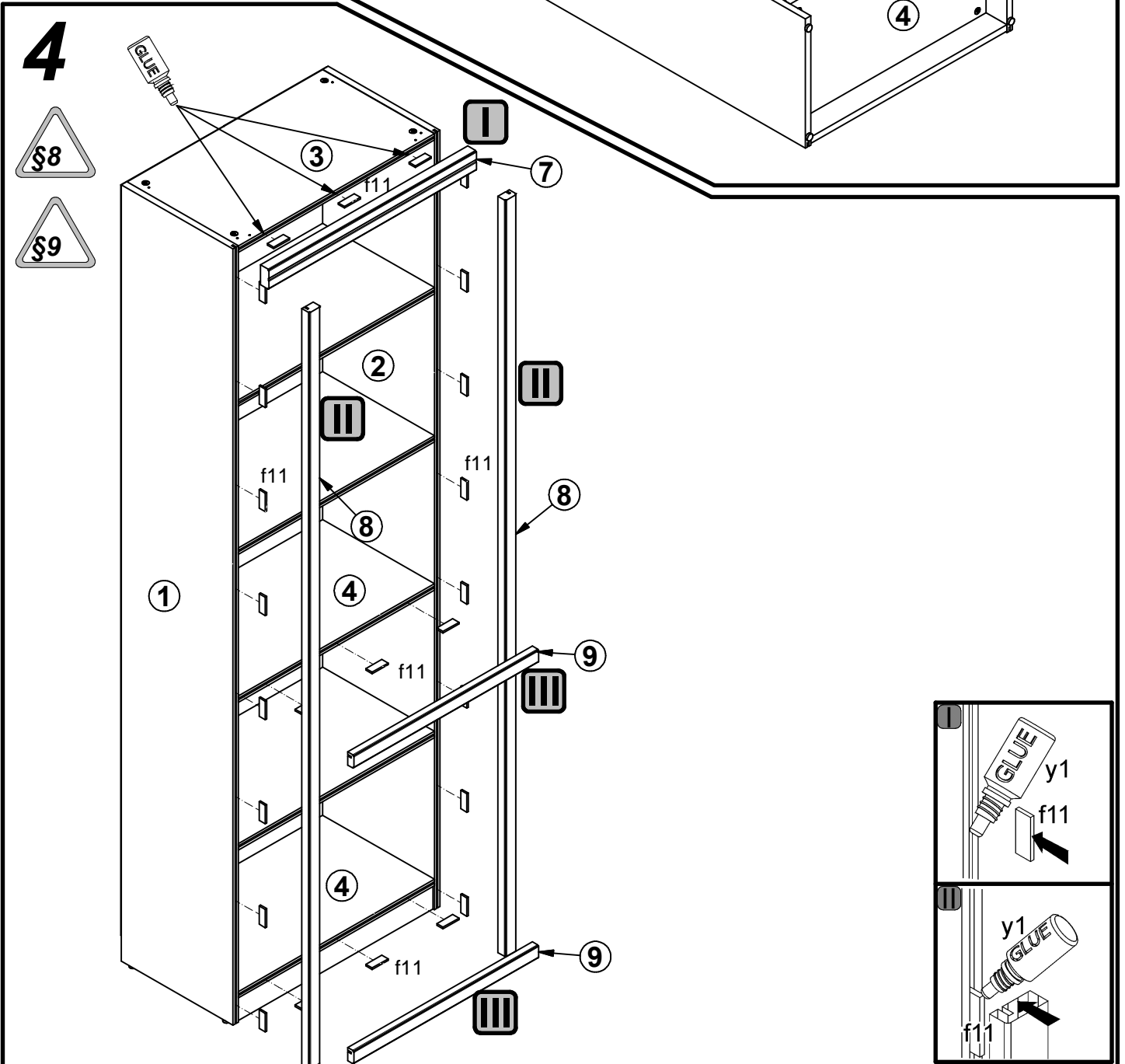
# 2



# 3



# 4



# 5

