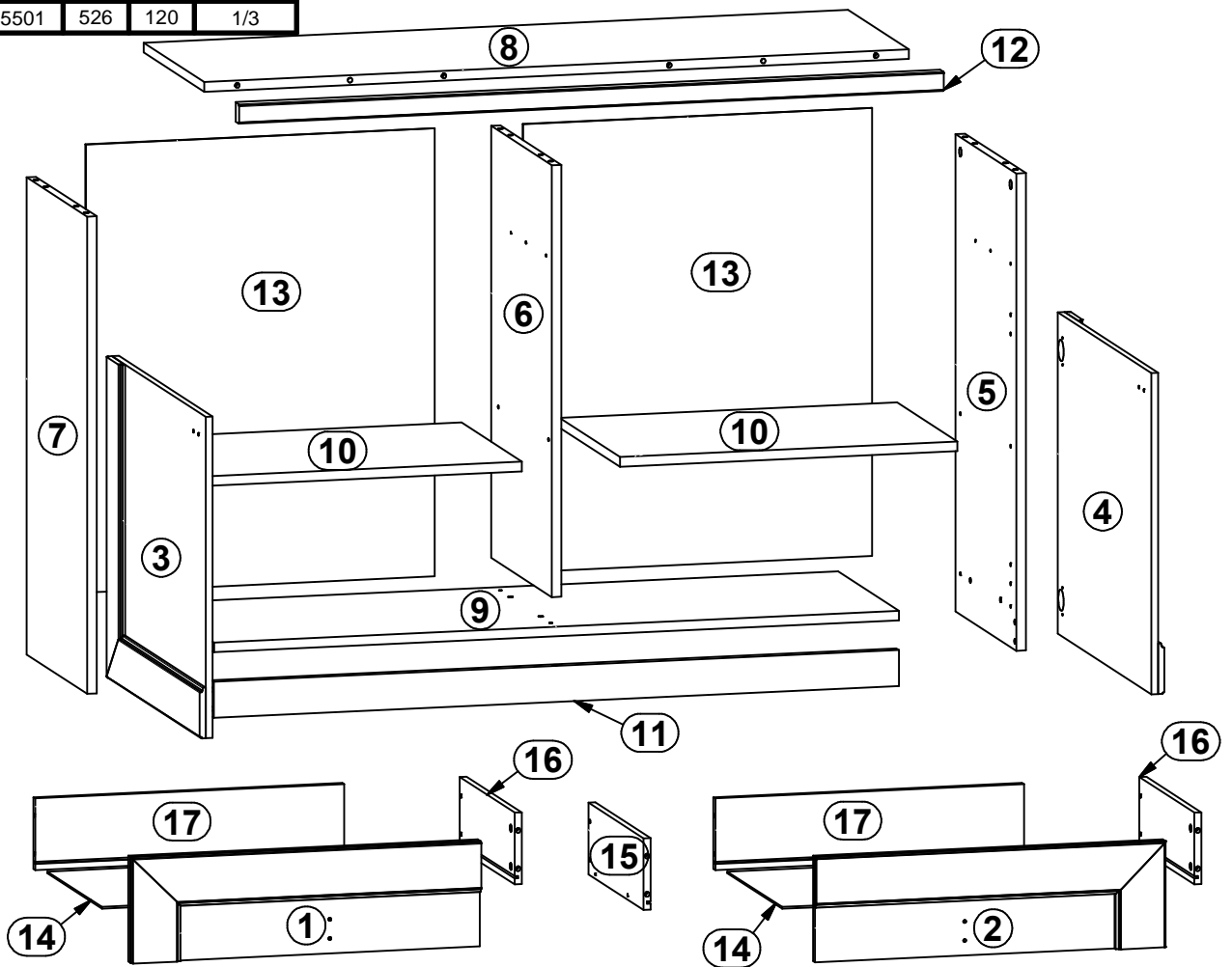
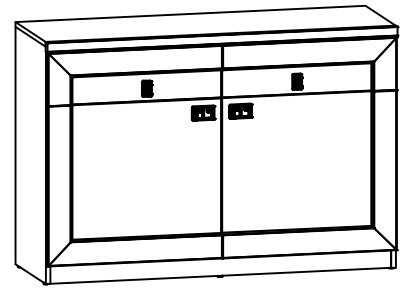


# BIGGER

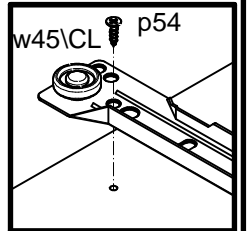
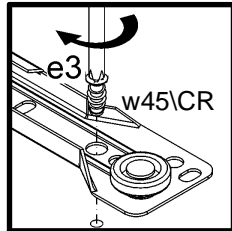
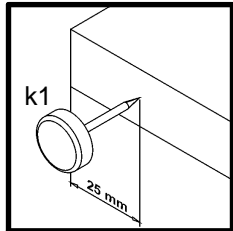
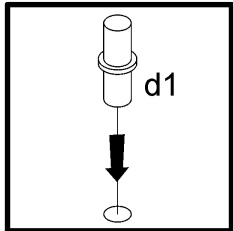
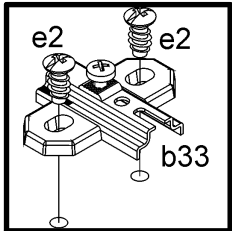
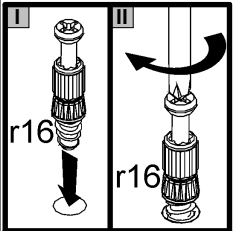
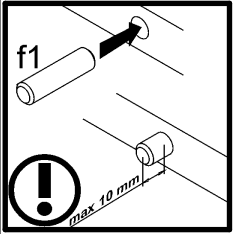
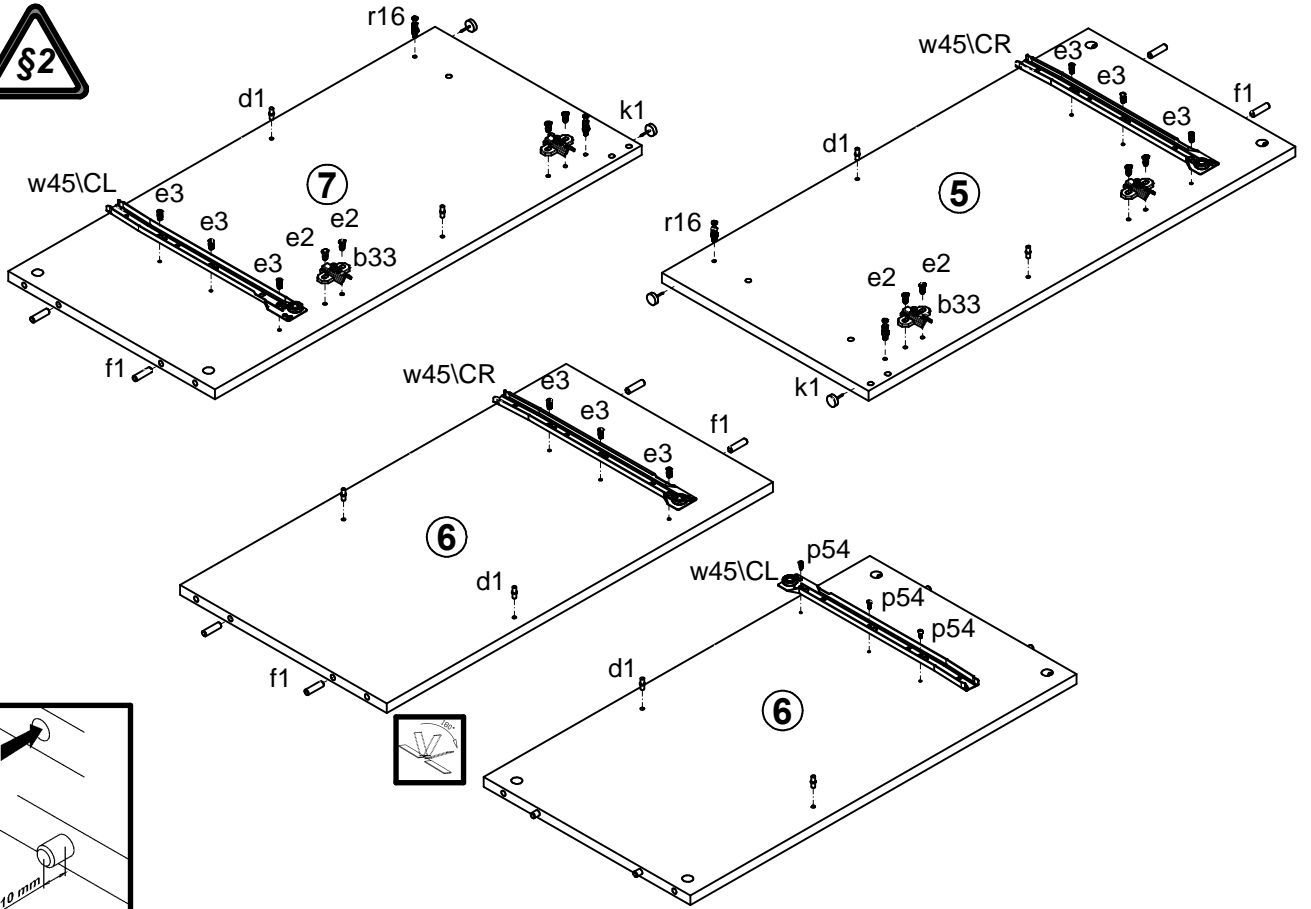
# S78-KOM2D2S/120

A	B	C	D	
1	S78-024	596	177	3/3
2	S78-025	596	177	3/3
3	S78-026	538	596	3/3
4	S78-027	538	596	3/3
5	S78-126	799	387	1/3
6	S78-127	723	387	1/3
7	S78-128	799	387	1/3
8	S78-202	1200	387	2/3
9	S78-313	1167	387	2/3
10	S78-314	575	385	1/3
11	S78-403	1167	60	2/3
12	S78-514	1200	33	2/3
13	S78-914	750	594	3/3
14	S78-915	537	348	1/3
15	ZS1-529	350	120	1/3
16	ZS1-530	350	120	1/3
17	ZS1-5501	526	120	1/3

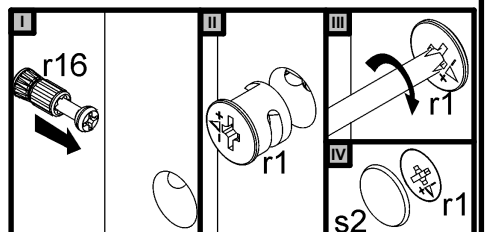
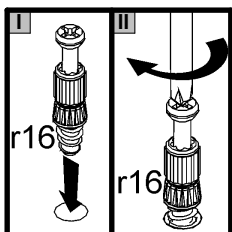
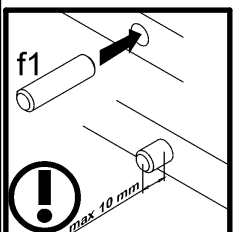
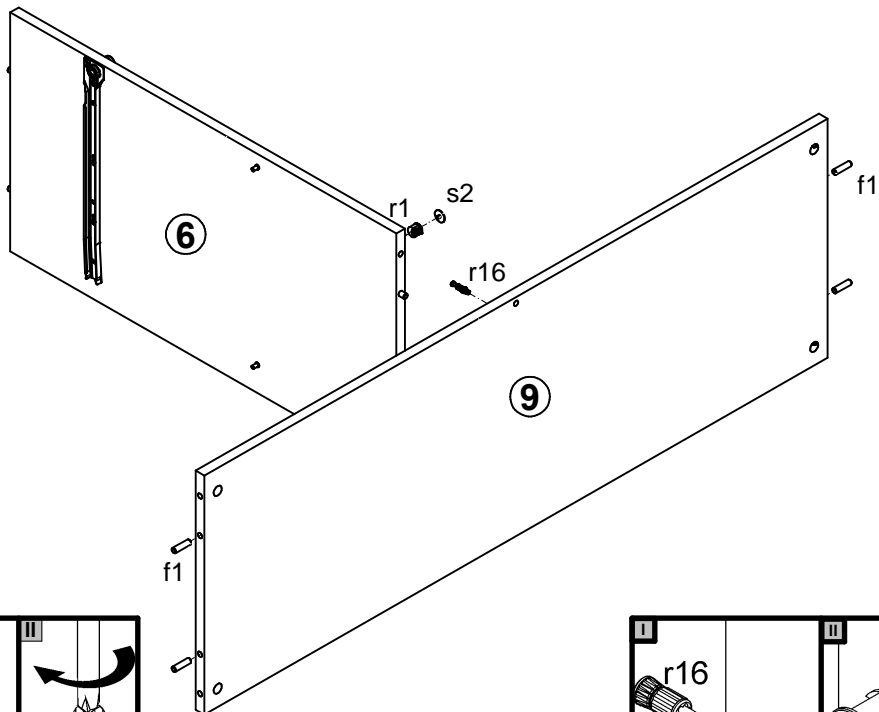


4x  a44	4x  b33	2x  c239/1	2x  c239/2	8x  φ5x17 mm d1	8x  φ5x9 mm e19	8x  φ6,3x13 mm e2	9x  φ6x13 mm e3	19x  φ8x30 mm f1
8x  φ6,5x40 mm f25	6x  M4x16 mm j83	5x  k1	55x  l1	8x  φ3,5x15 mm p51	3x  φ3x12 mm p54	16x  φ1,5x12mm #16 r1	8x  φ12x10,5mm #12 r15	24x  r16
5x  ø16 s2	2x  350 mm w45\CL	2x  350 mm w45\CR	2x  350 mm w45\DL	2x  350 mm w45\DR	1x  n26/1	1x  φ3,5x16 mm p38		

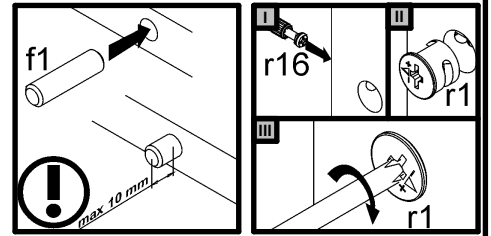
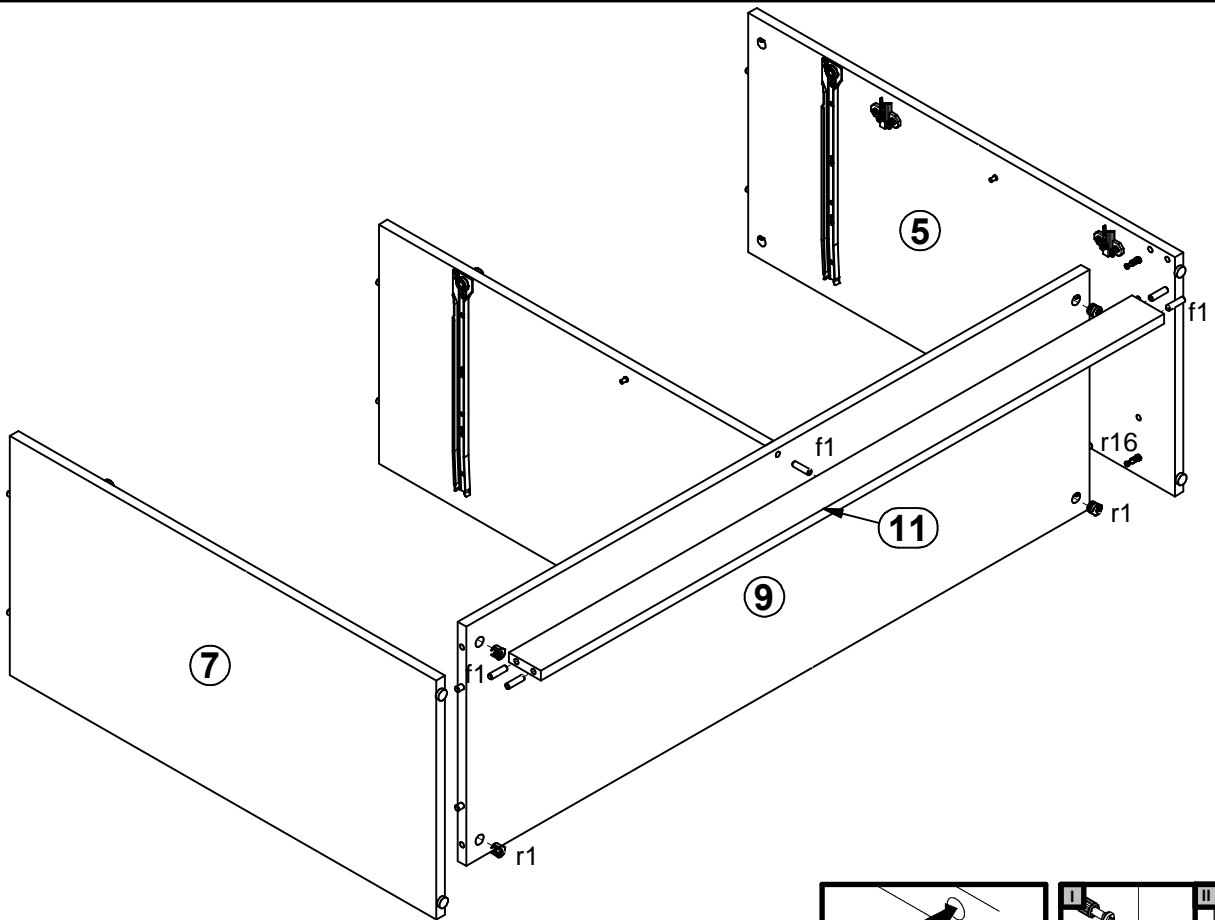
# 1



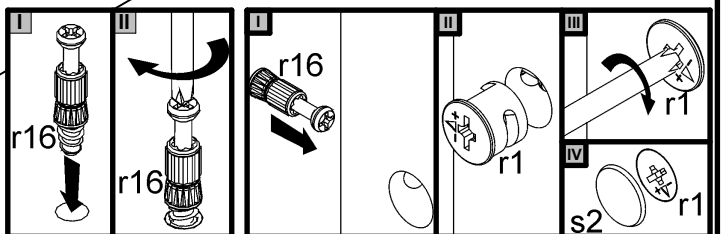
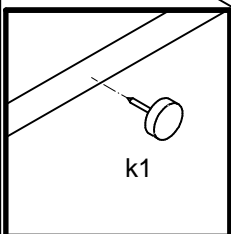
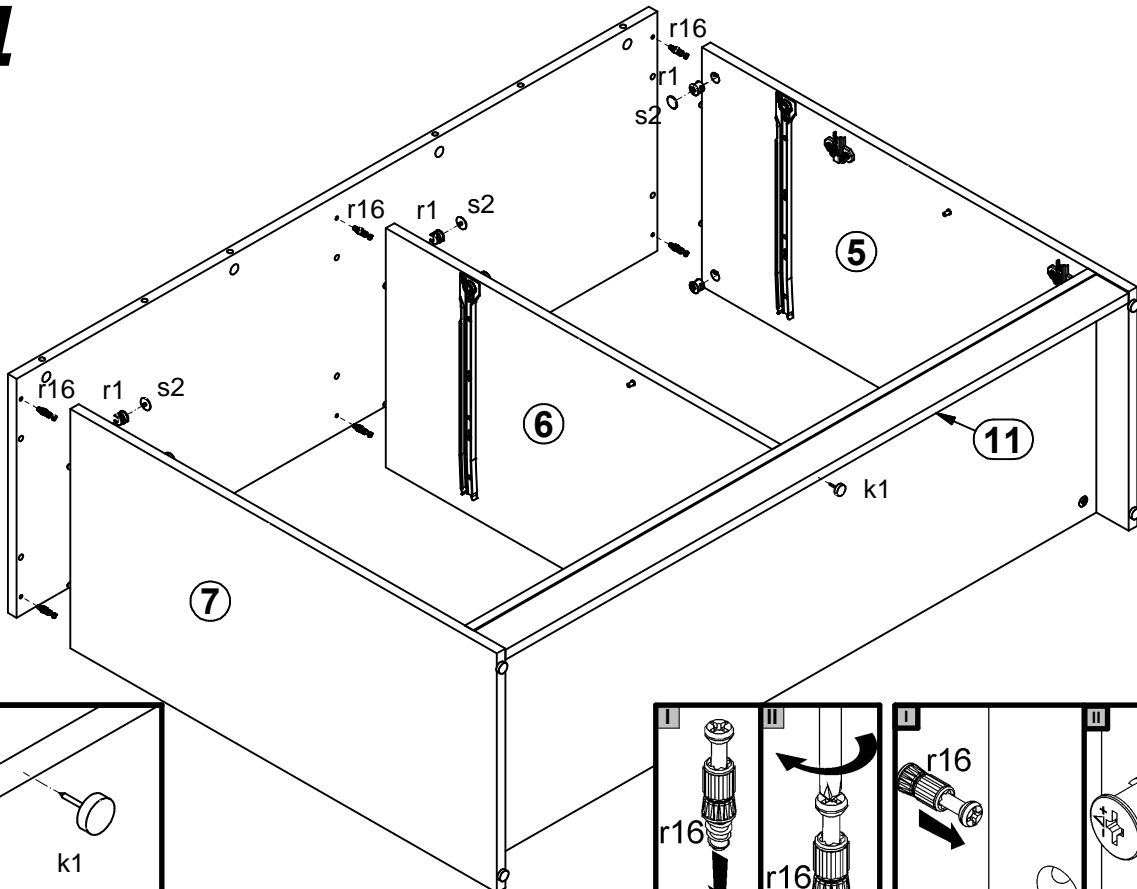
# 2



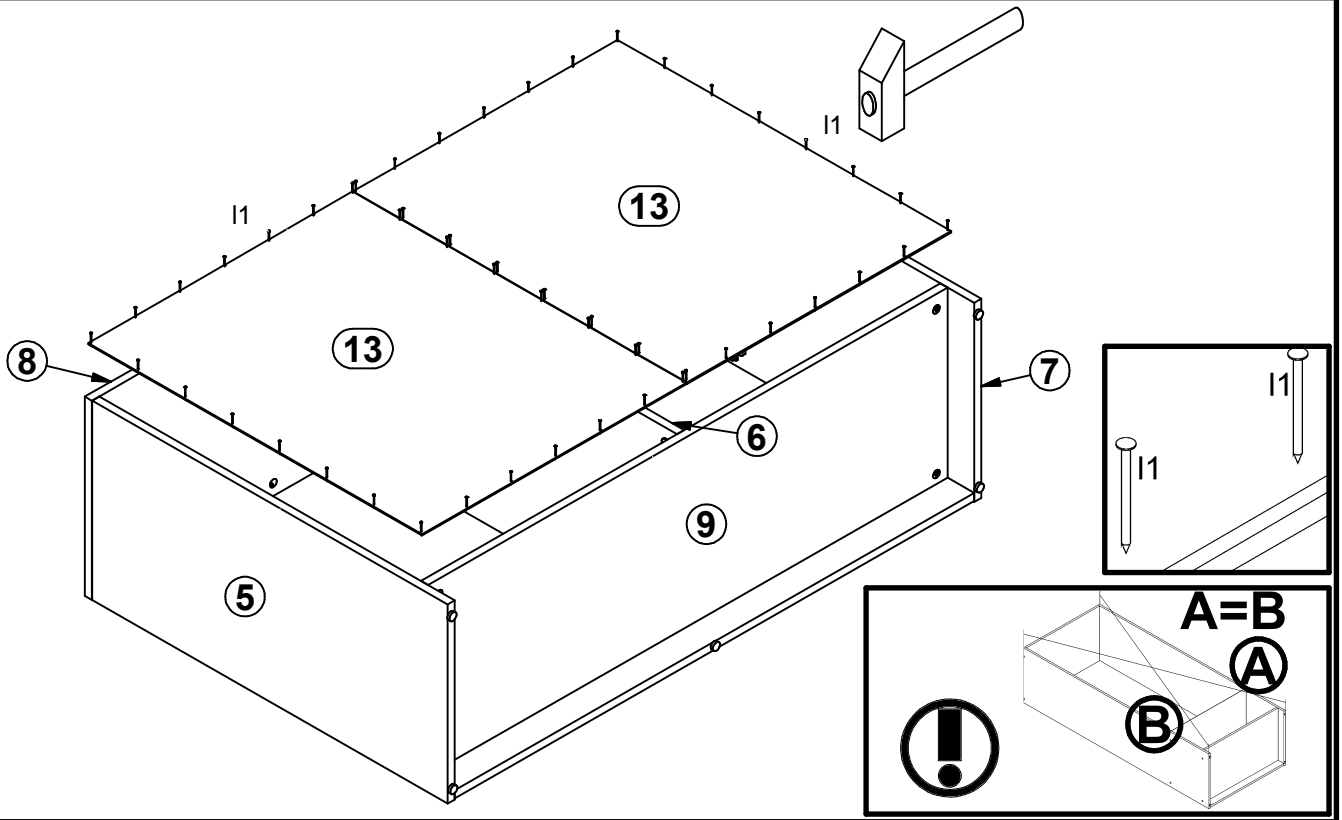
# 3



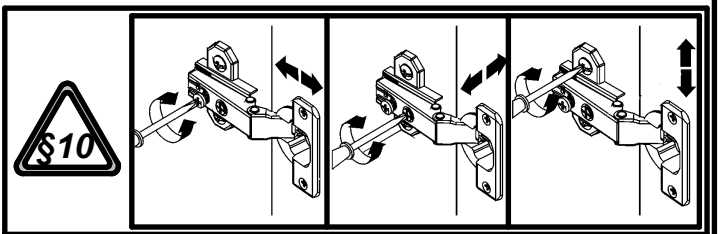
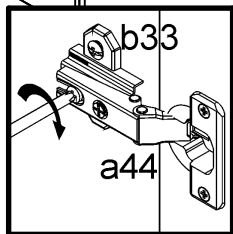
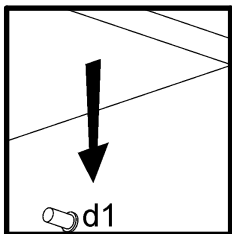
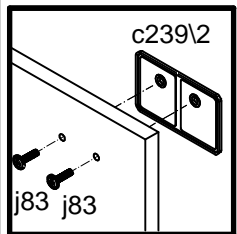
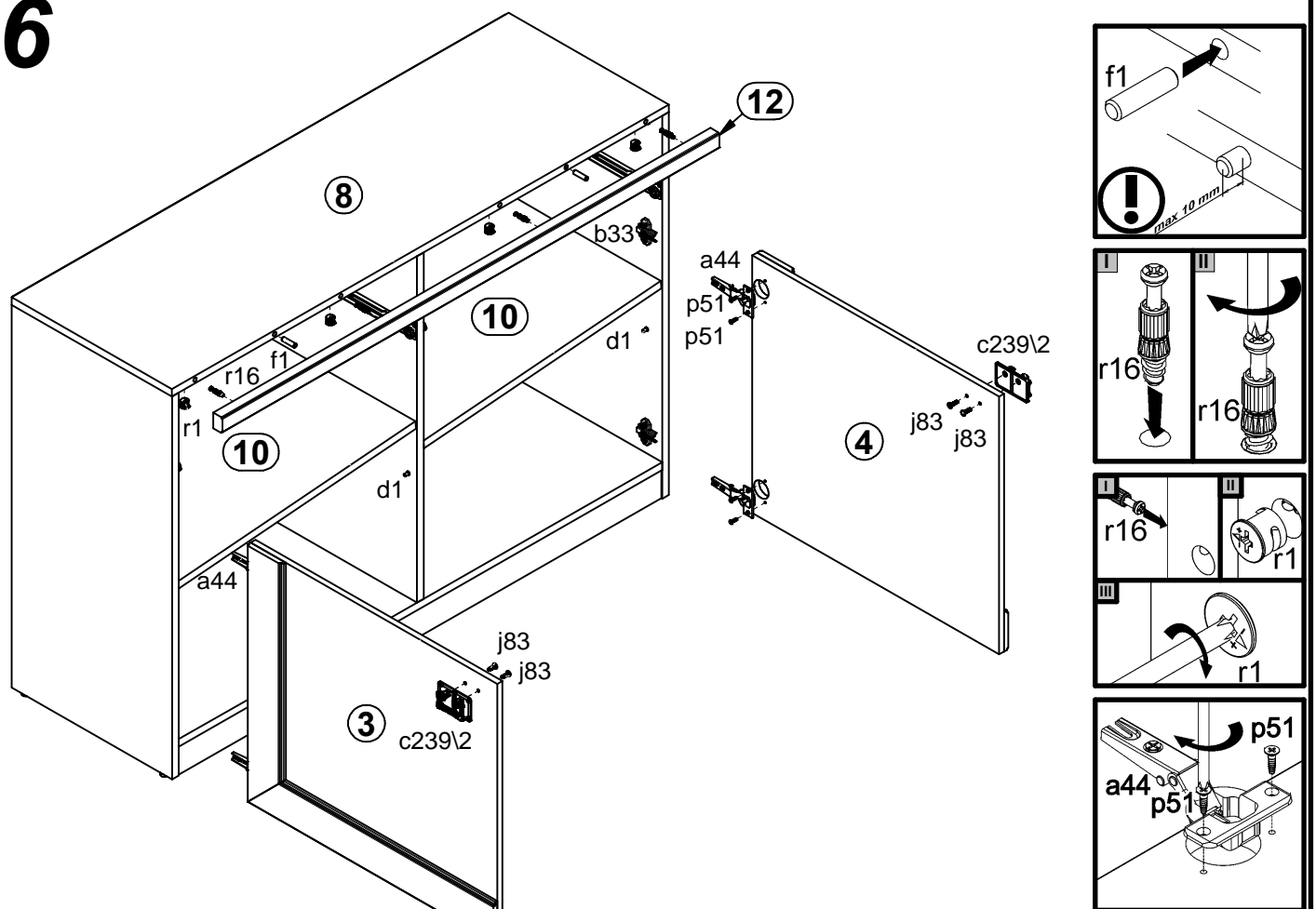
# 4



# 5

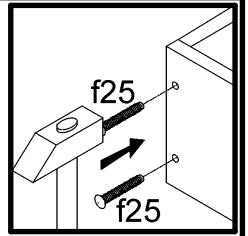
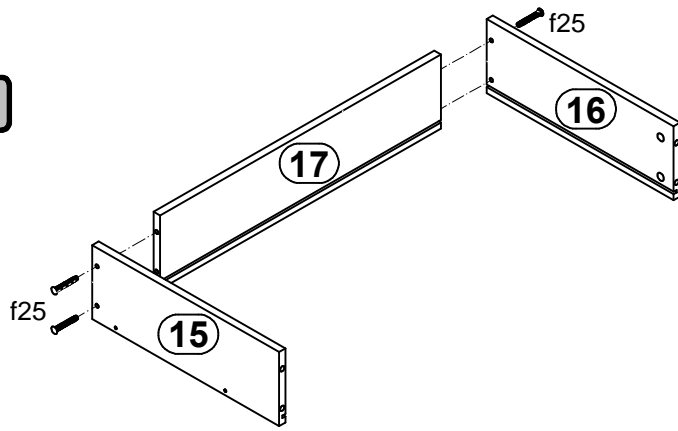


# 6

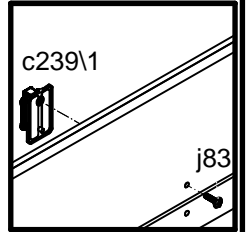
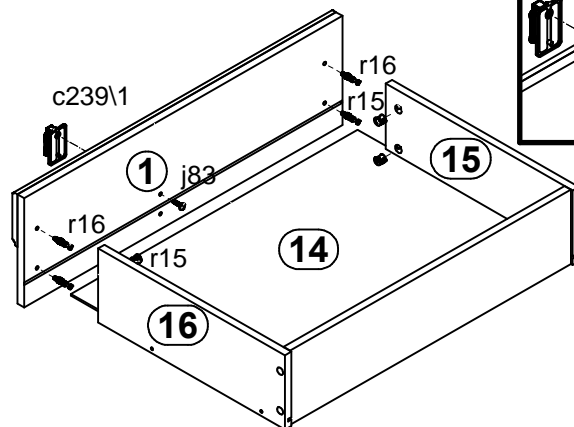
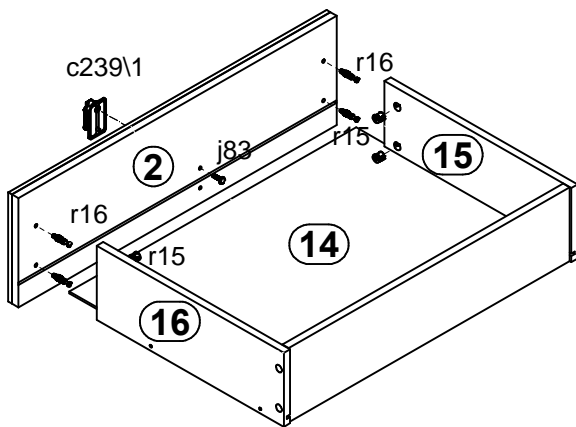
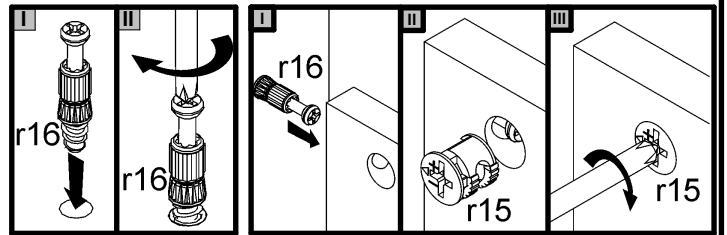


# 7

I



II



III

