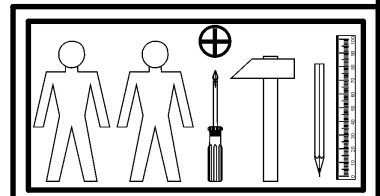
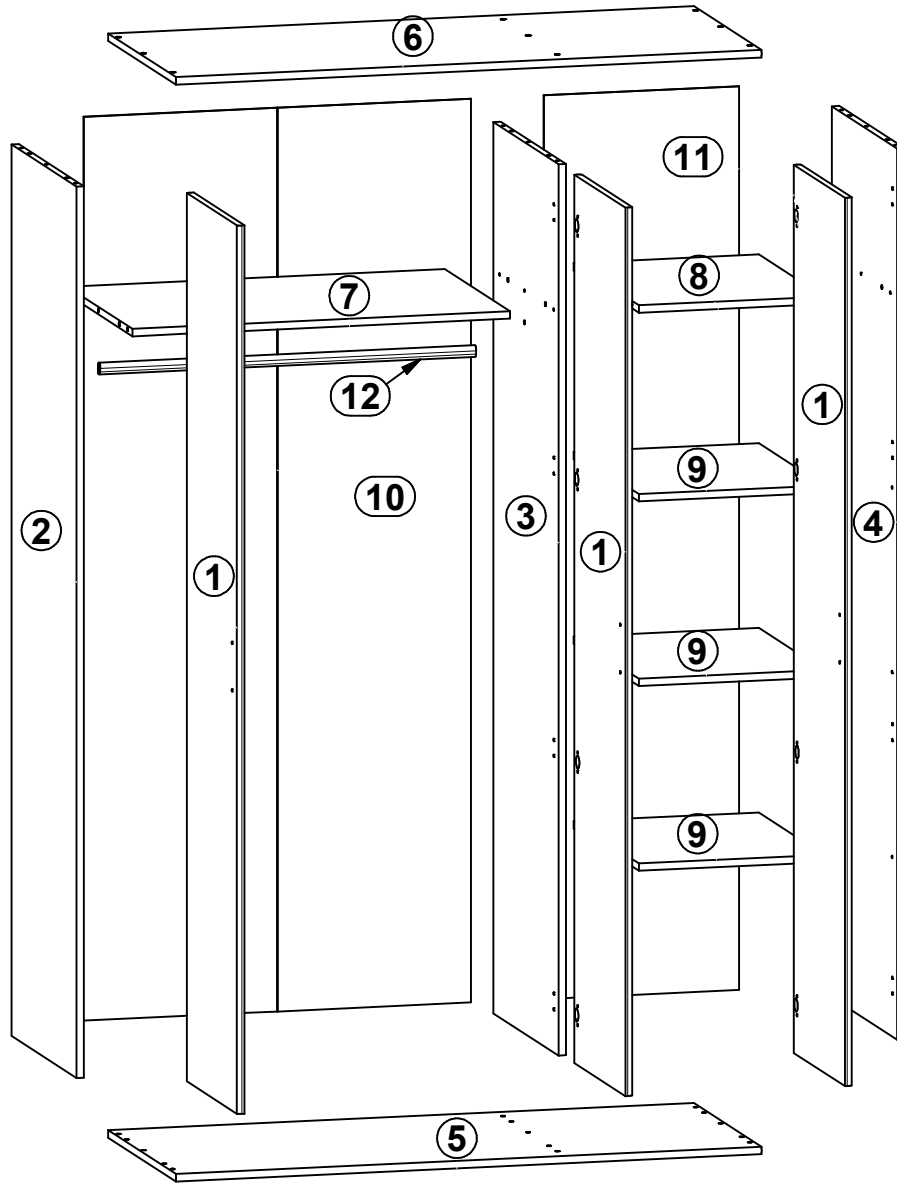
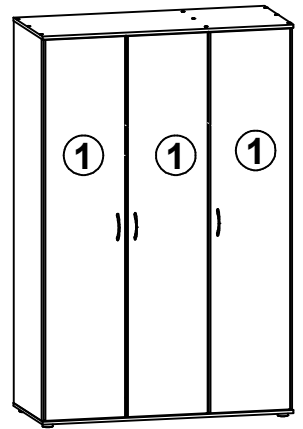


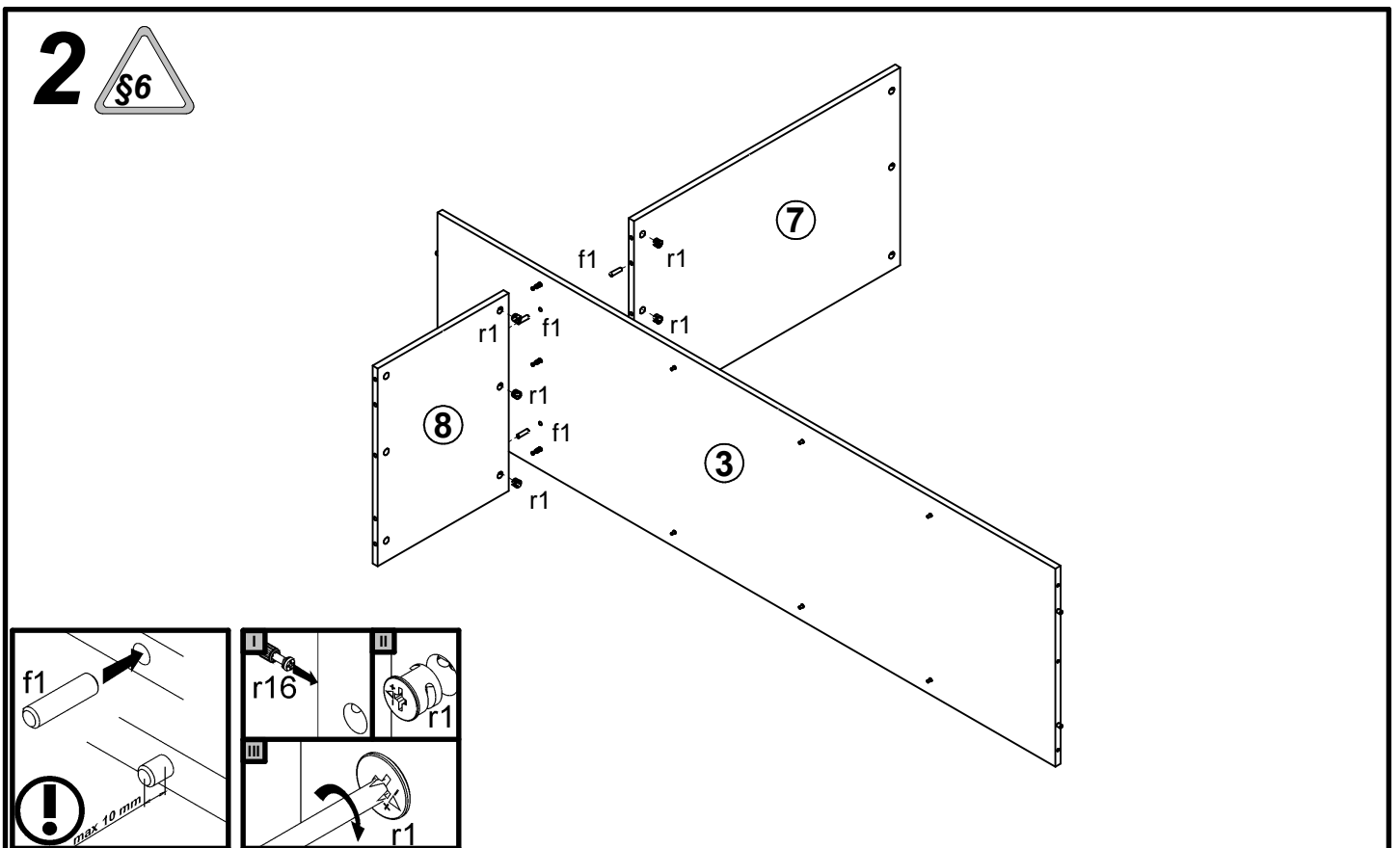
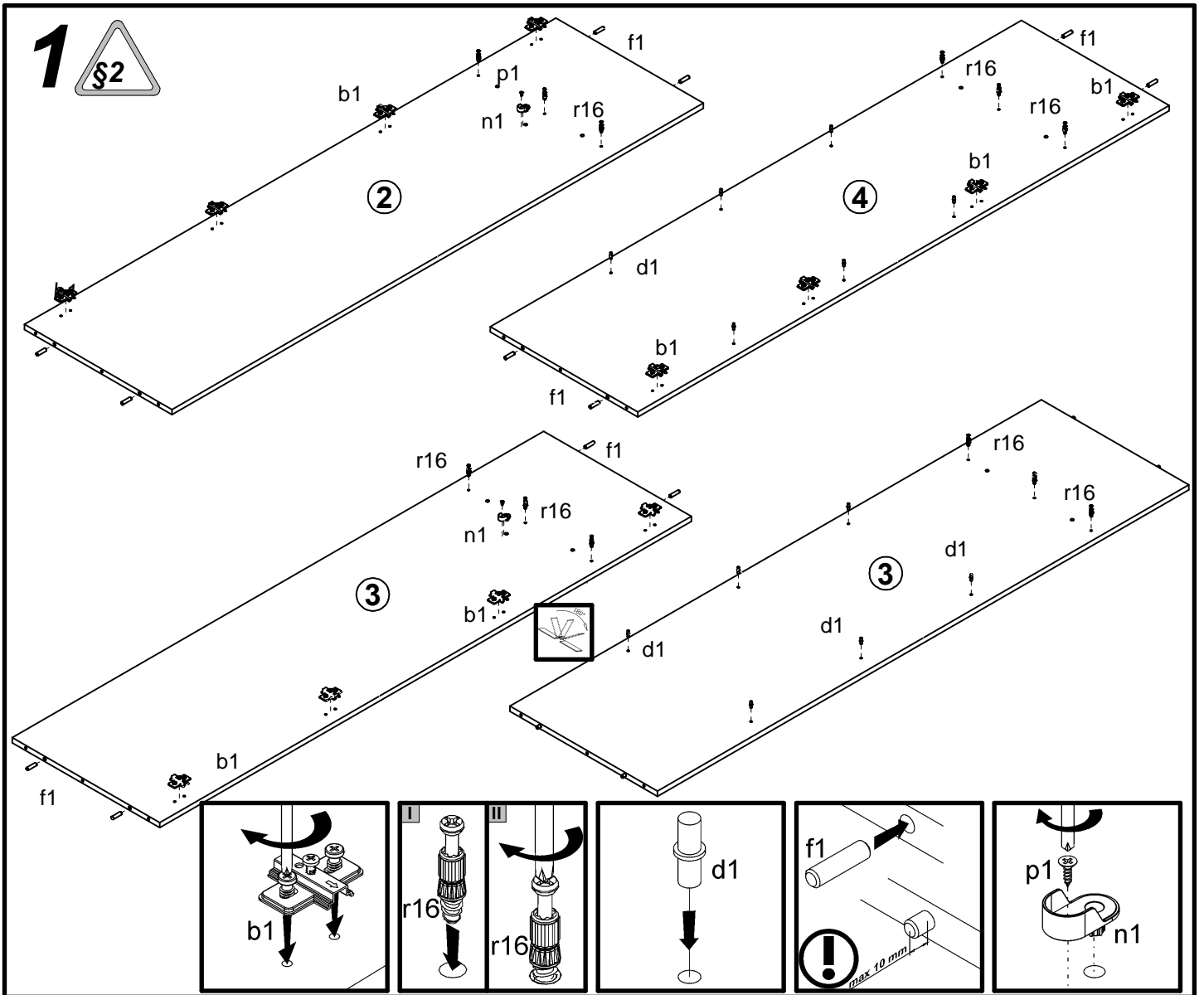
ATRISS

S137-SZF3D

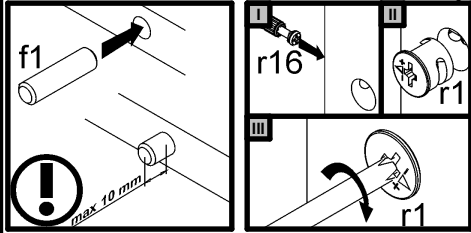
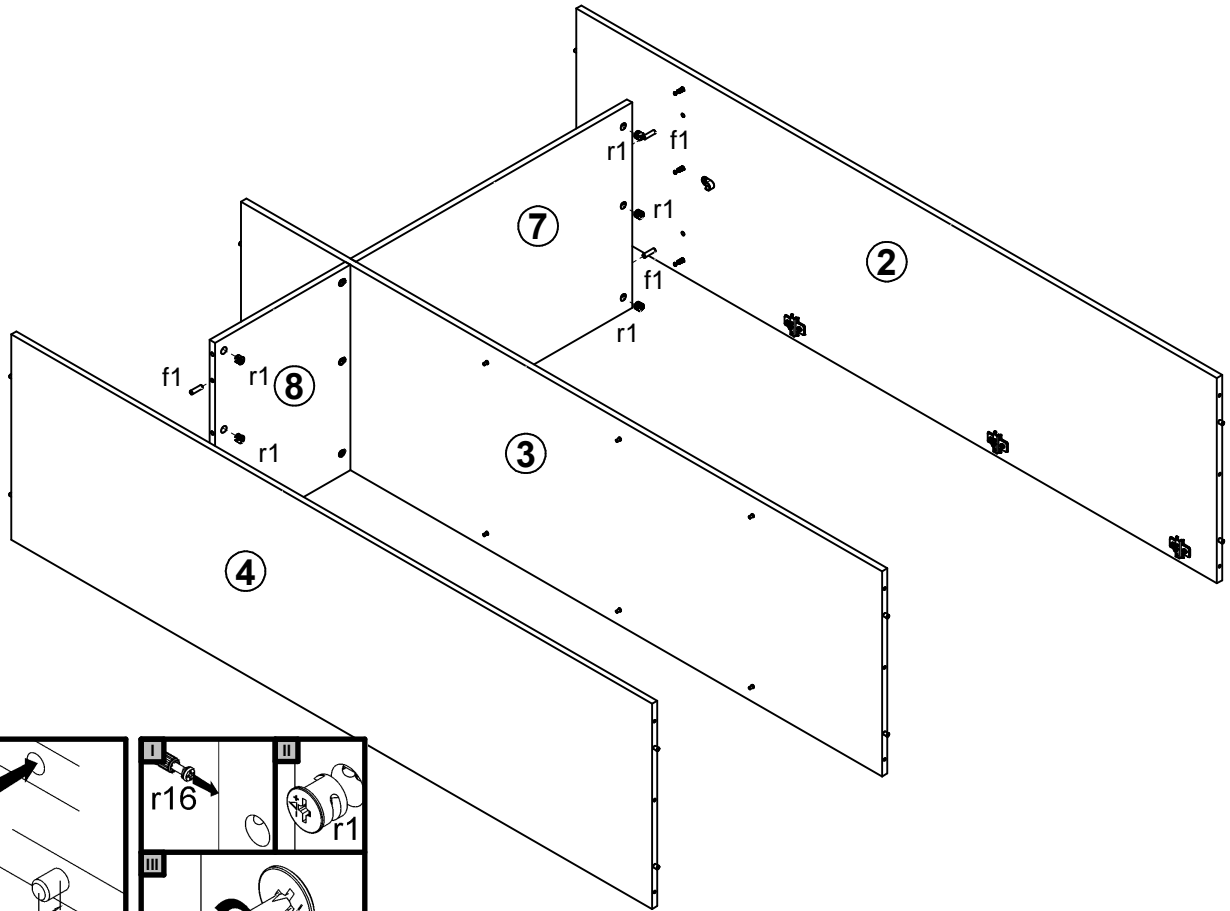
A	B	C		D	A	B	C		D
1	S137-006	1794	392	1/2	7	S137-304	776	500	2/2
2	S137-115	1800	500	1/2	8	S137-311	381	500	2/2
3	S137-124	1800	500	1/2	9	S137-312	381	500	2/2
4	S137-125	1800	500	1/2	10	S137-907	1825	796	1/2
5	S137-210	1204	520	2/2	11	S137-908	1825	401	1/2
6	S137-211	1204	520	2/2	12	dr-770	770	22	2/2



12x K8 a54	12x b1	3x c314	12x $\phi 5 \times 17$ mm d1	18x $\phi 7 \times 50$ mm e1	20x $\phi 8 \times 30$ mm f1	6x k27	110x l1	2x n1
2x $\phi 3,5 \times 13$ mm p1	6x $\phi 4 \times 25$ mm p87	12x $\phi 15 \times 12$ mm #16 r1	12x r16	1x z1	1x n26/1	1x $\phi 3,5 \times 16$ mm p38		



3



4

