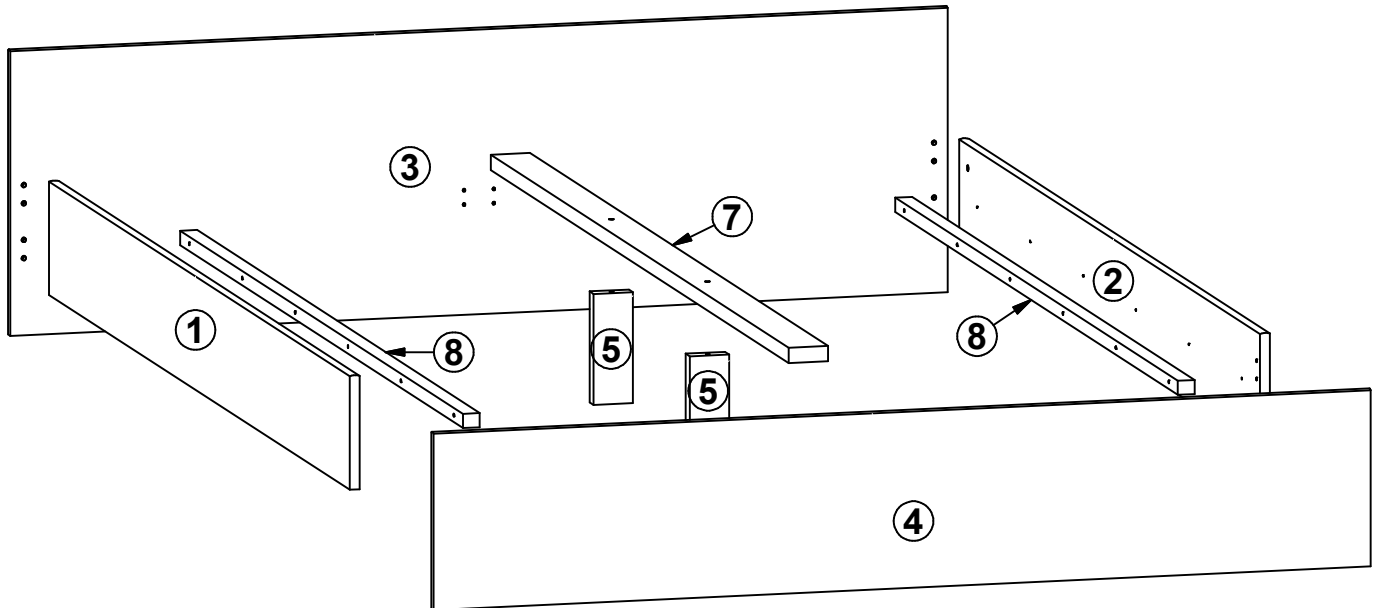
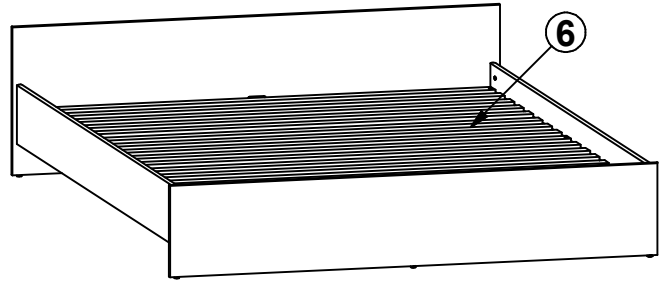


# ATRISS

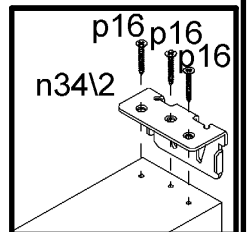
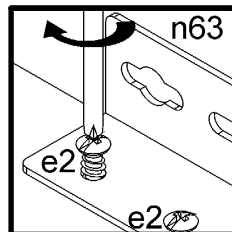
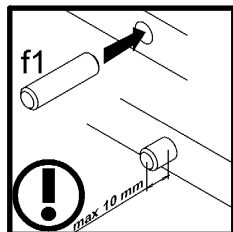
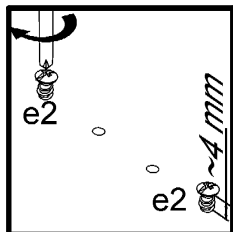
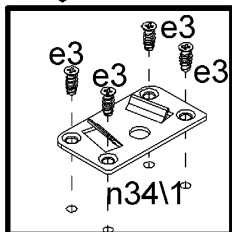
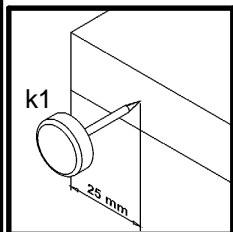
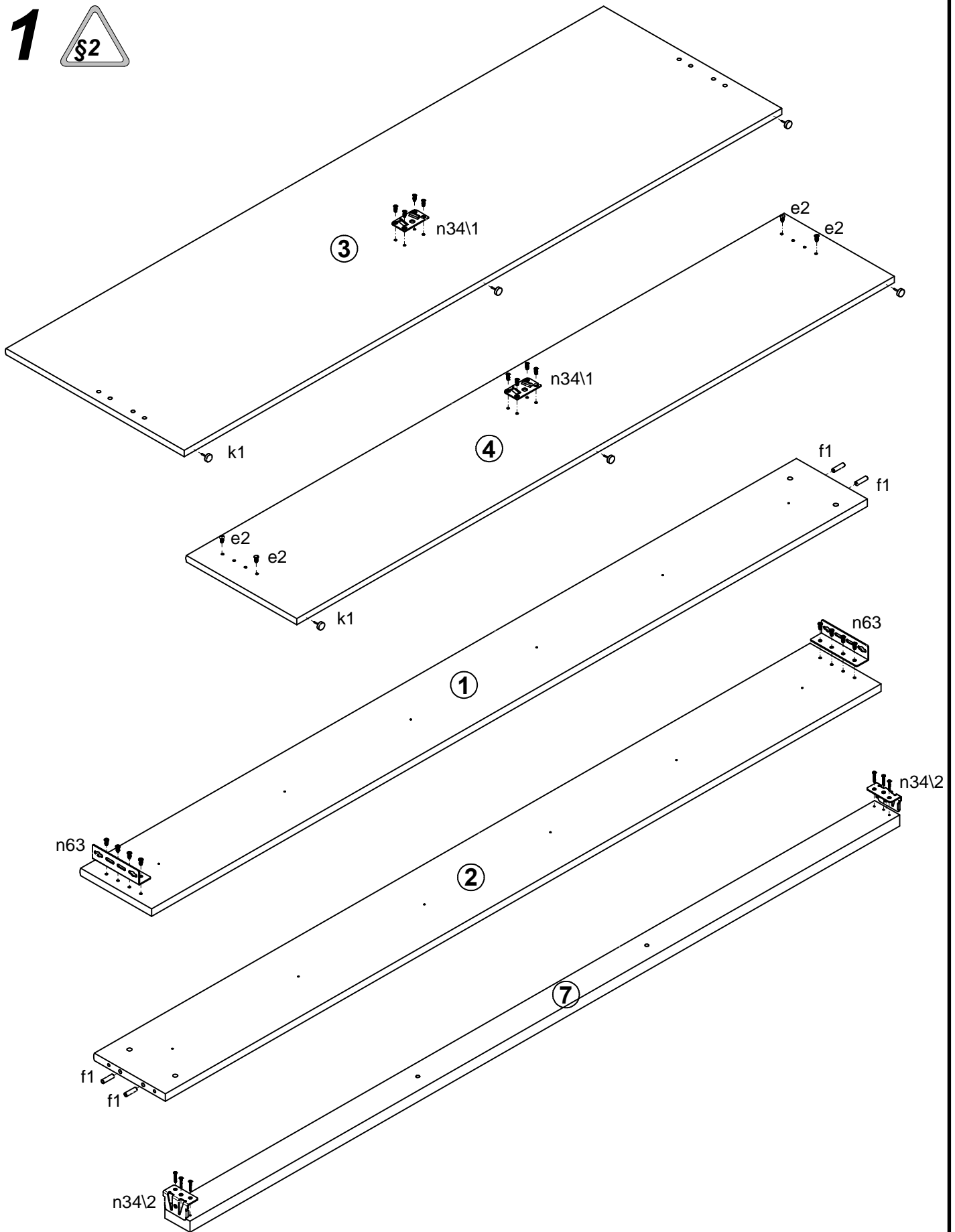
S137-LOZ/160

A	B	C	D	
1	S137-121	2000	200	1/2
2	S137-122	2000	200	1/2
3	S137-403	1670	500	2/2
4	S137-404	1670	310	2/2
5	ZZ1-420	194	70	1/2
6	ZZ1-501	1872	1578	1/1
7	ZZ1-719	1983	70	1/2
8	ZZ1-720	1880	25	1/2

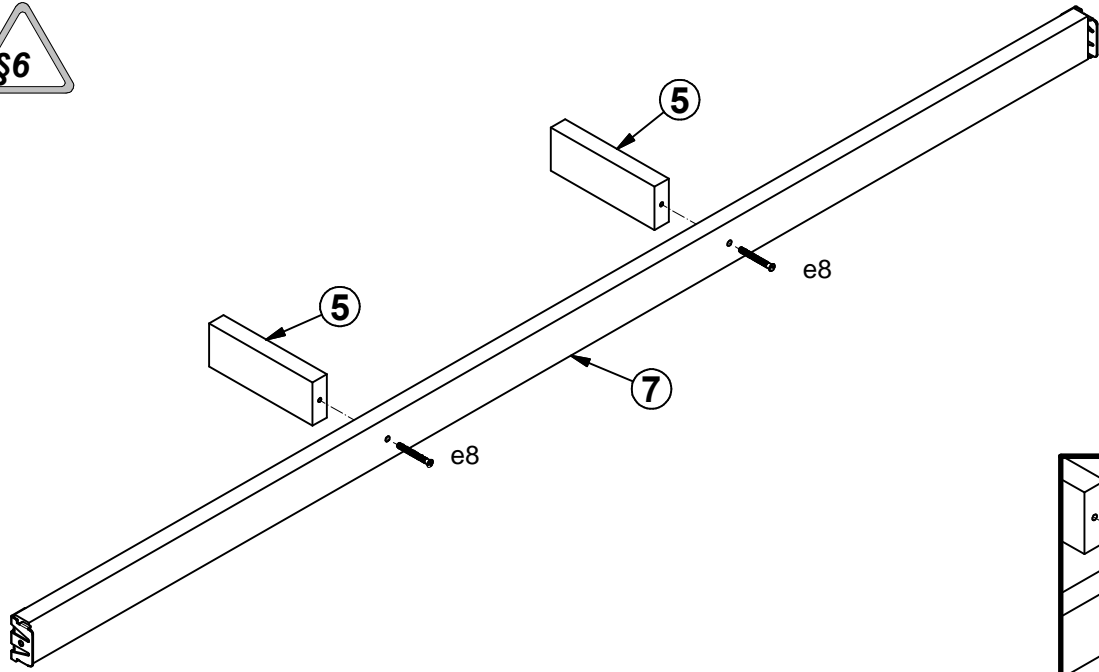


16x φ6,3x13 mm e2	8x φ6x13 mm e3	2x φ7x60 mm e8	4x φ8x30 mm f1	4x M6x84 mm j117	6x k1	2x n34/1	2x n34/2	2x 130x34x34,2mm n63
12x φ4x45 mm p11	6x φ3,5x25 mm p16	6x φ4x35 mm p6	4x φ10x13 mm r5/1	1x z1				

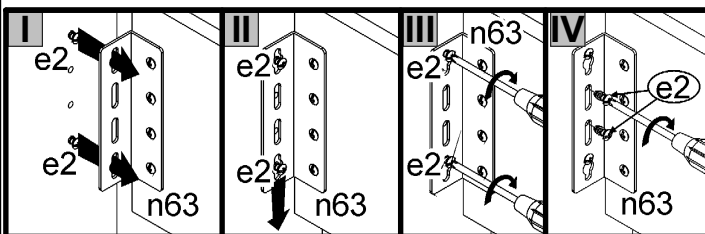
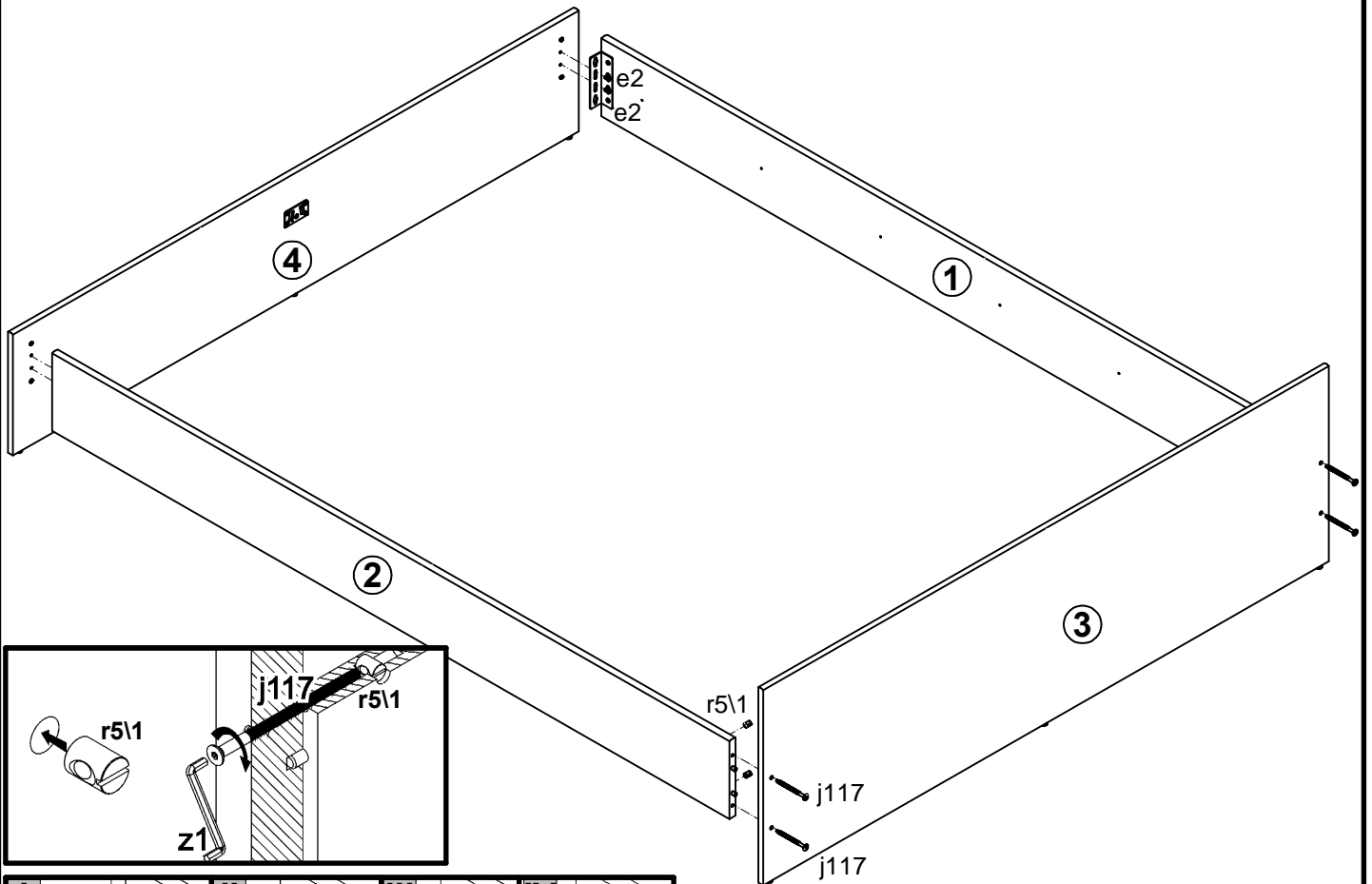
# 1



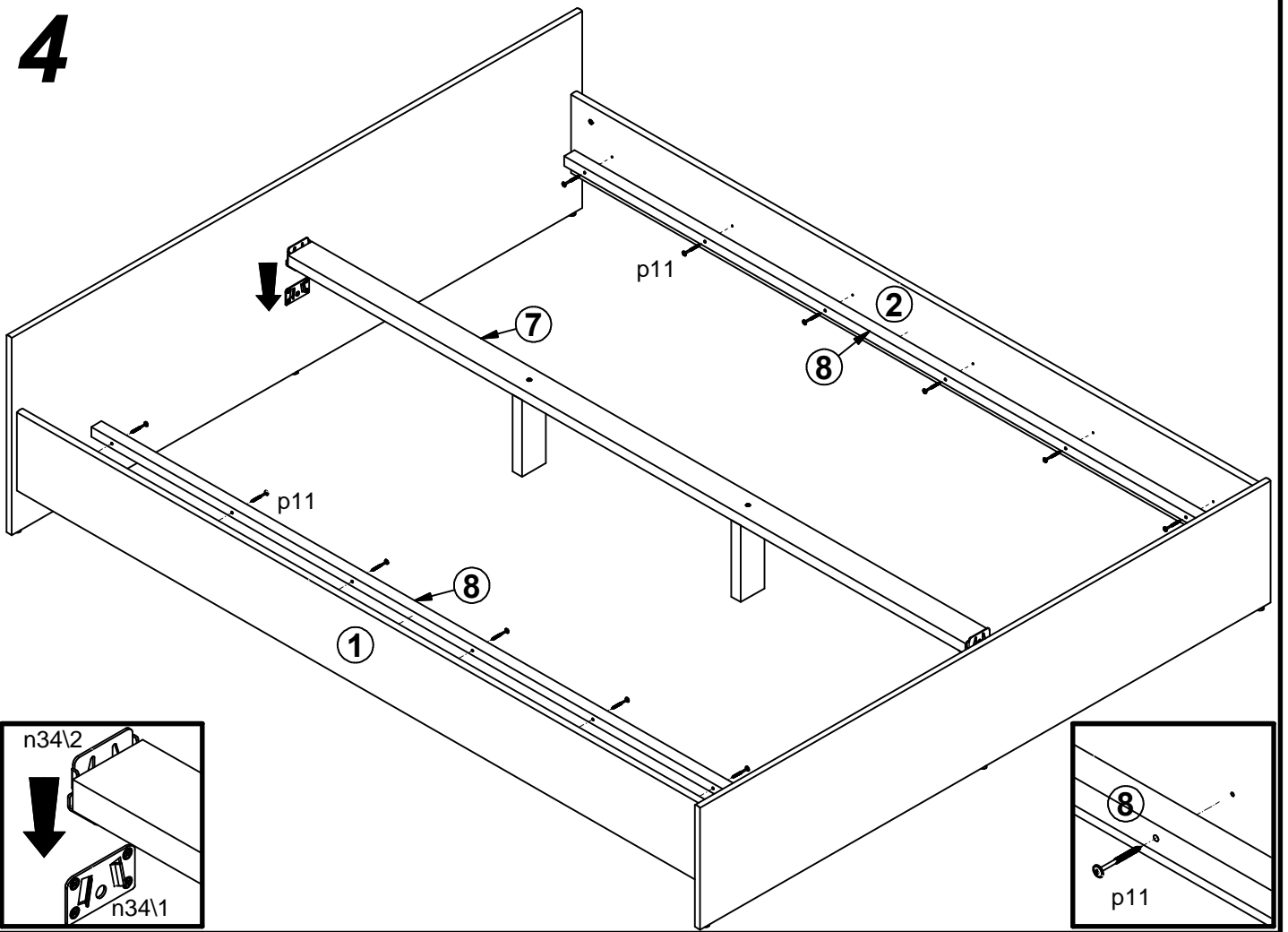
# 2



# 3



# 4



# 5

