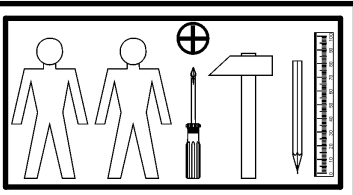
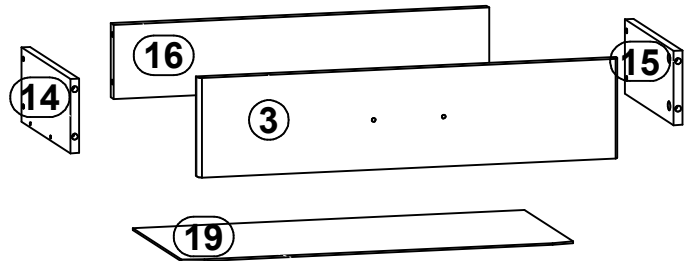
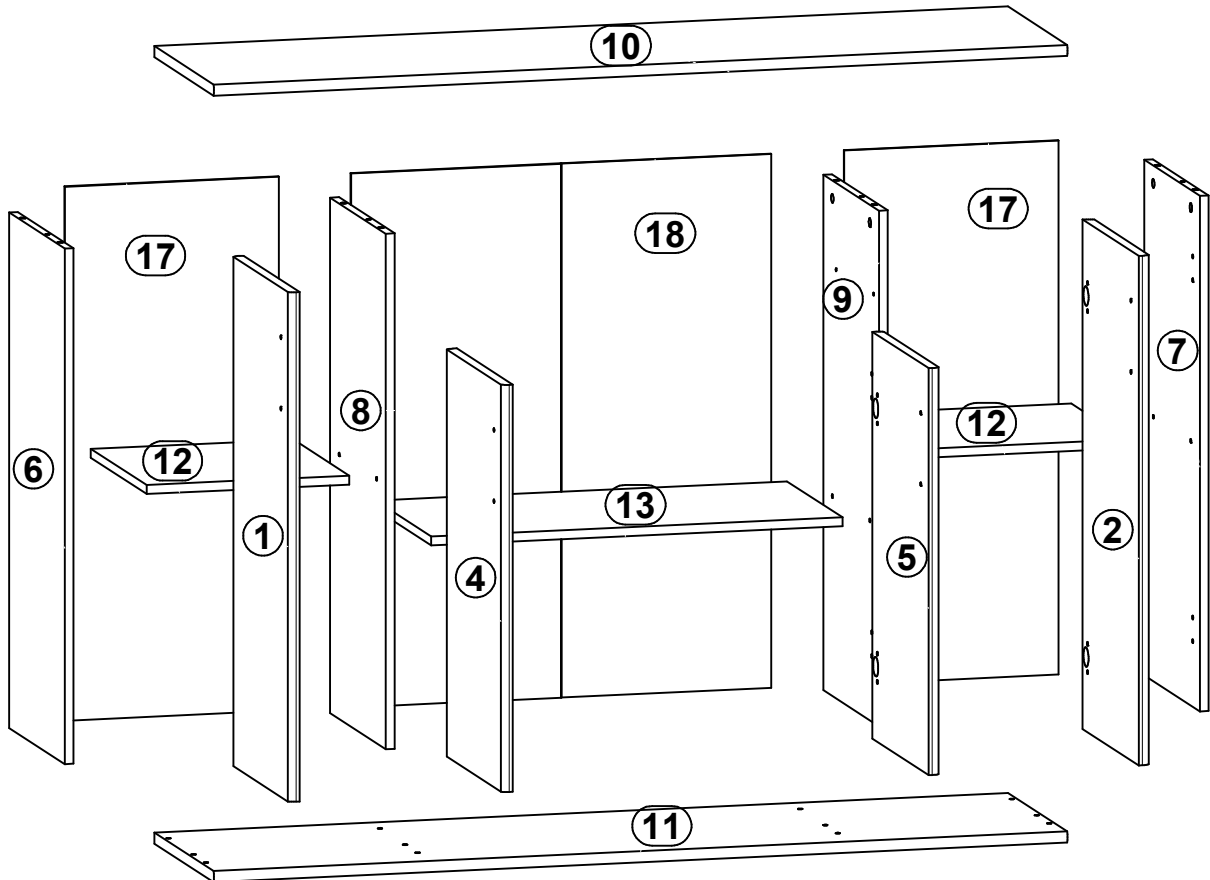
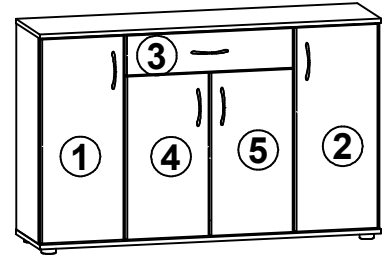


ATRISS

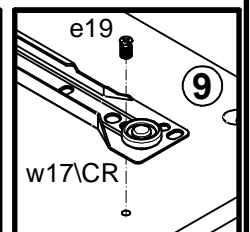
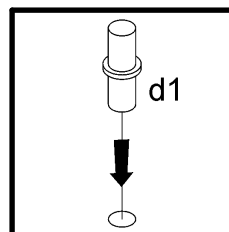
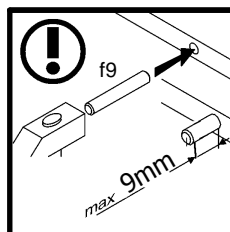
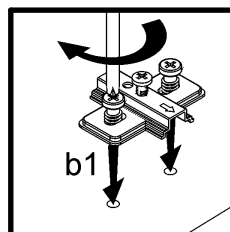
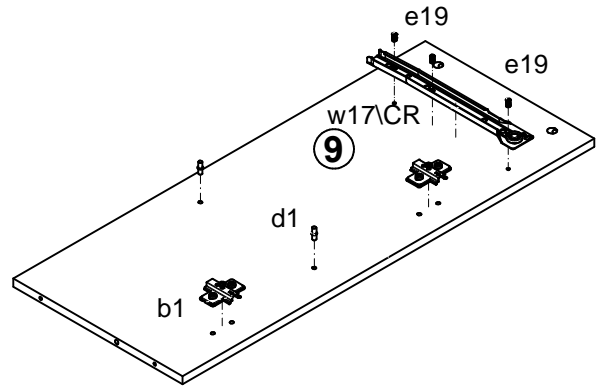
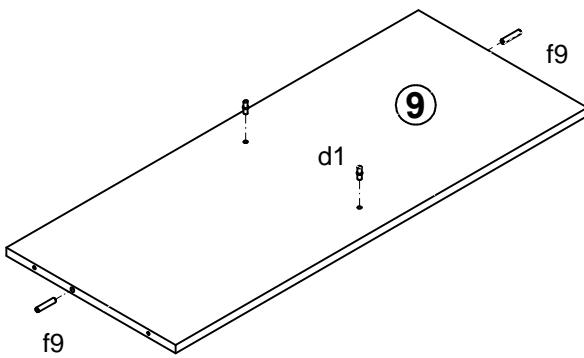
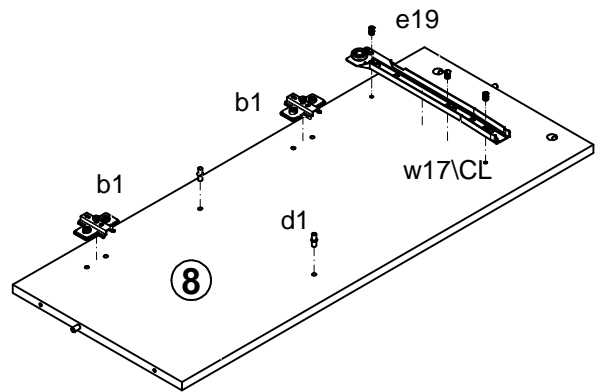
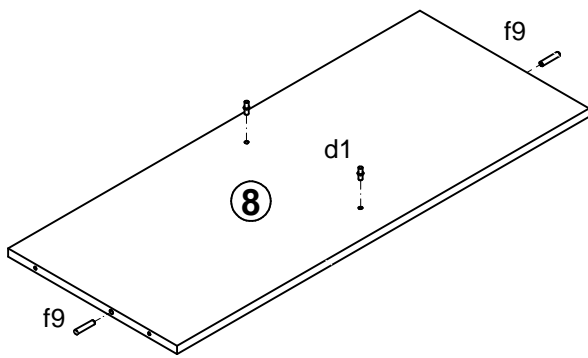
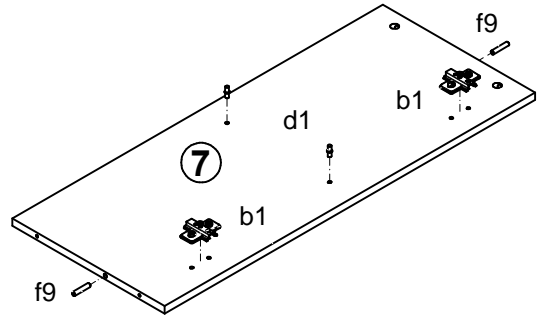
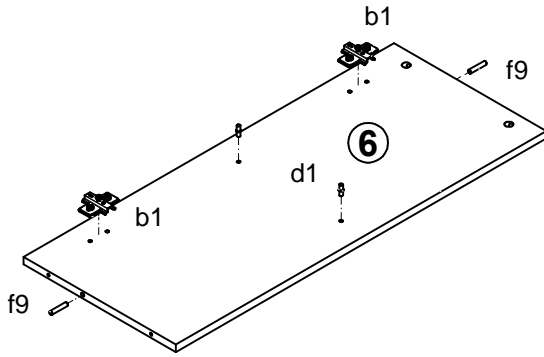
S137-KOM4D1S

A	B	C	D	A	B	C	D		
1	S137-001	686	287	1/1	11	S137-202	1170	305	1/1
2	S137-002	686	287	1/1	12	S137-301	278	285	1/1
3	S137-003	576	134	1/1	13	S137-302	564	285	1/1
4	S137-004	548	287	1/1	14	S137-501	250	100	1/1
5	S137-005	548	287	1/1	15	S137-502	250	100	1/1
6	S137-101	694	285	1/1	16	S137-503	515	100	1/1
7	S137-102	694	285	1/1	17	S137-901	719	293,5	1/1
8	S137-105	694	285	1/1	18	S137-902	719	576	1/1
9	S137-106	694	285	1/1	19	S137-903	537	255	1/1
10	S137-201	1170	305	1/1					

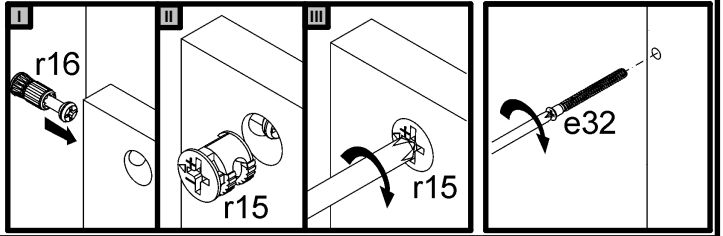
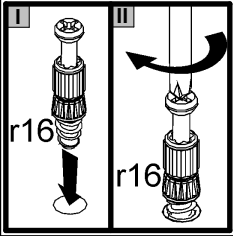
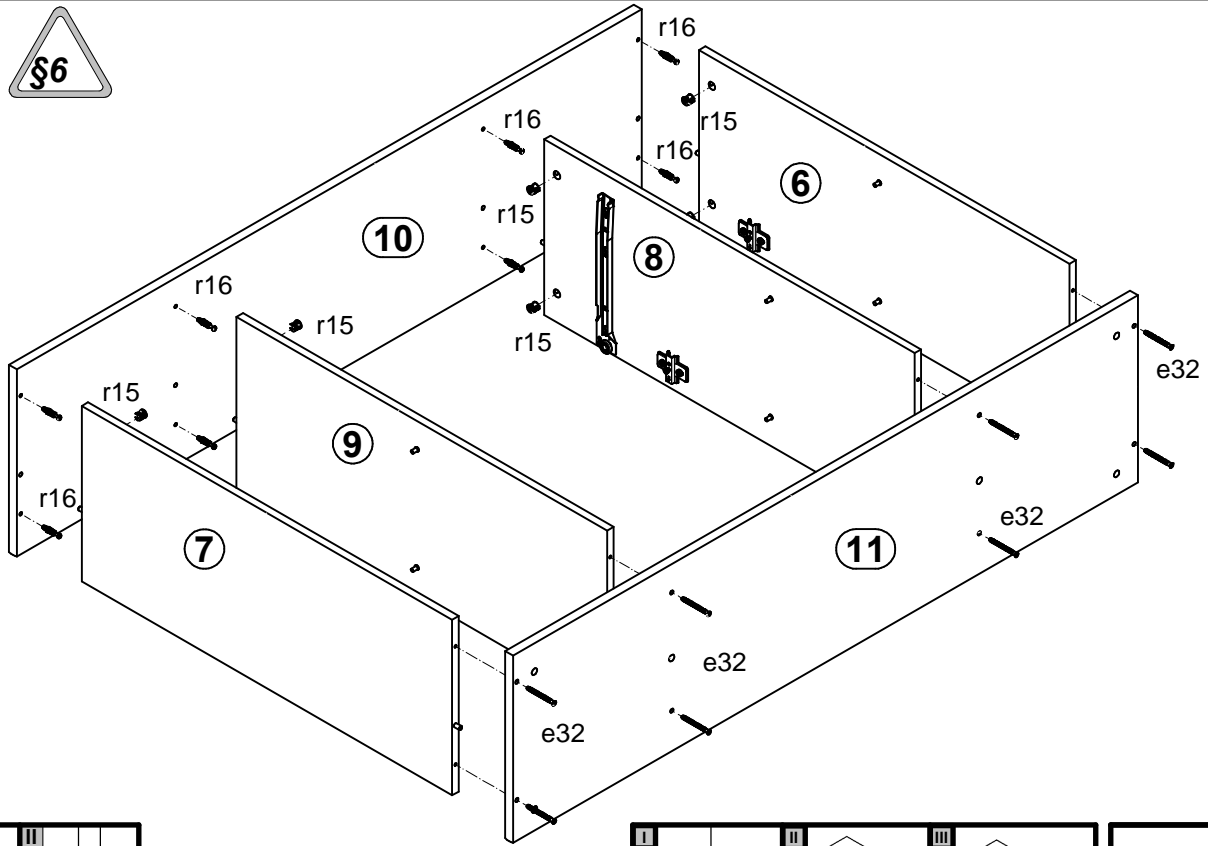


8x K8 a54	8x b1	5x c314	12x φ5x17 mm d1	8x φ5x50 mm e32	8x φ5x9 mm e19	4x φ6,5x40 mm f25	8x φ6x30 mm f9	6x k27
45x l1	4x φ3,5x16 mm p38	10x φ4x25 mm p87	12x φ12x10,5mm #12 r15	12x r16	1x 250 mm w17\CL	1x 250 mm w17\CR	1x 250 mm w17\DL	1x 250 mm w17\DR
1x n26\1	1x φ3,5x16 mm p38	6x 20x13x3,5\1 mm n108	6x φ2,5x13 mm p15					

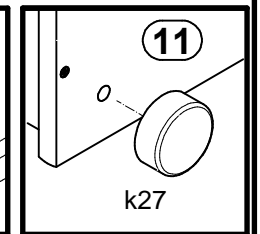
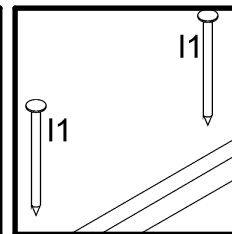
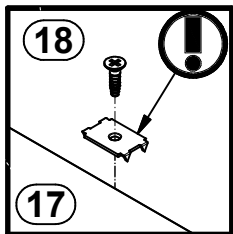
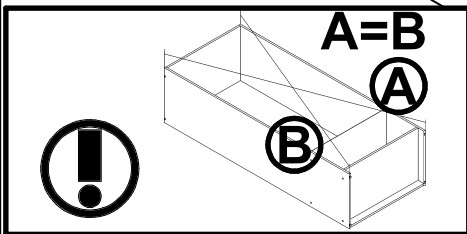
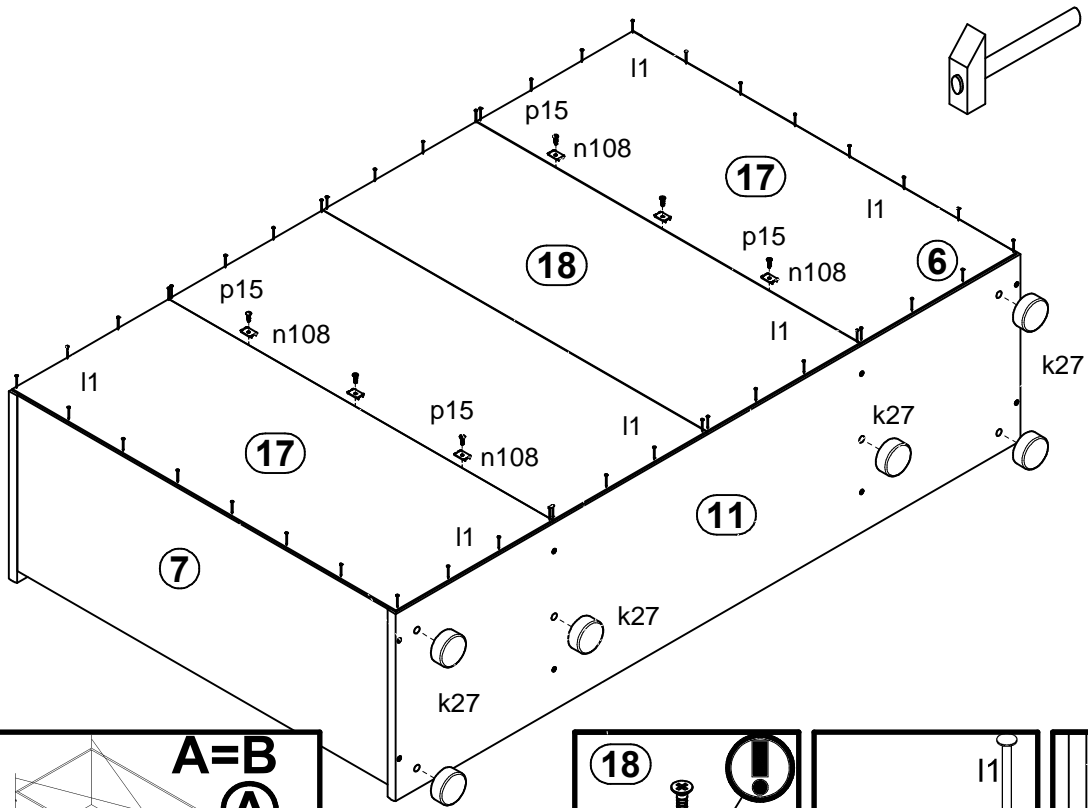
1



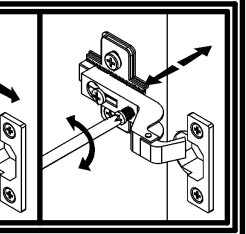
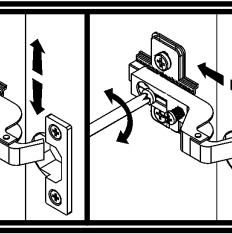
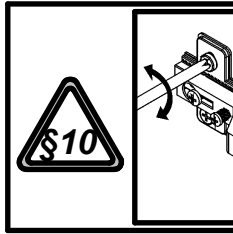
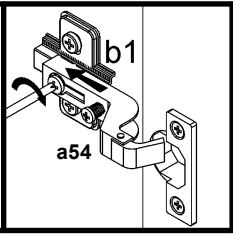
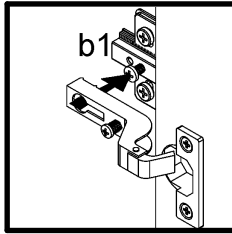
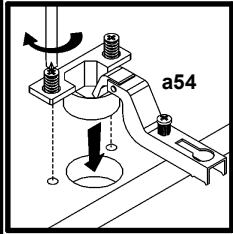
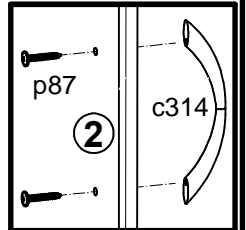
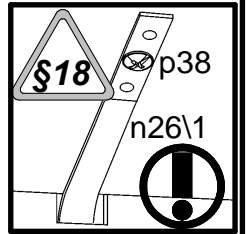
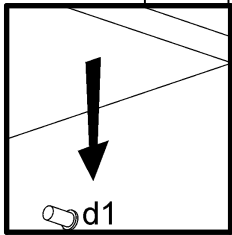
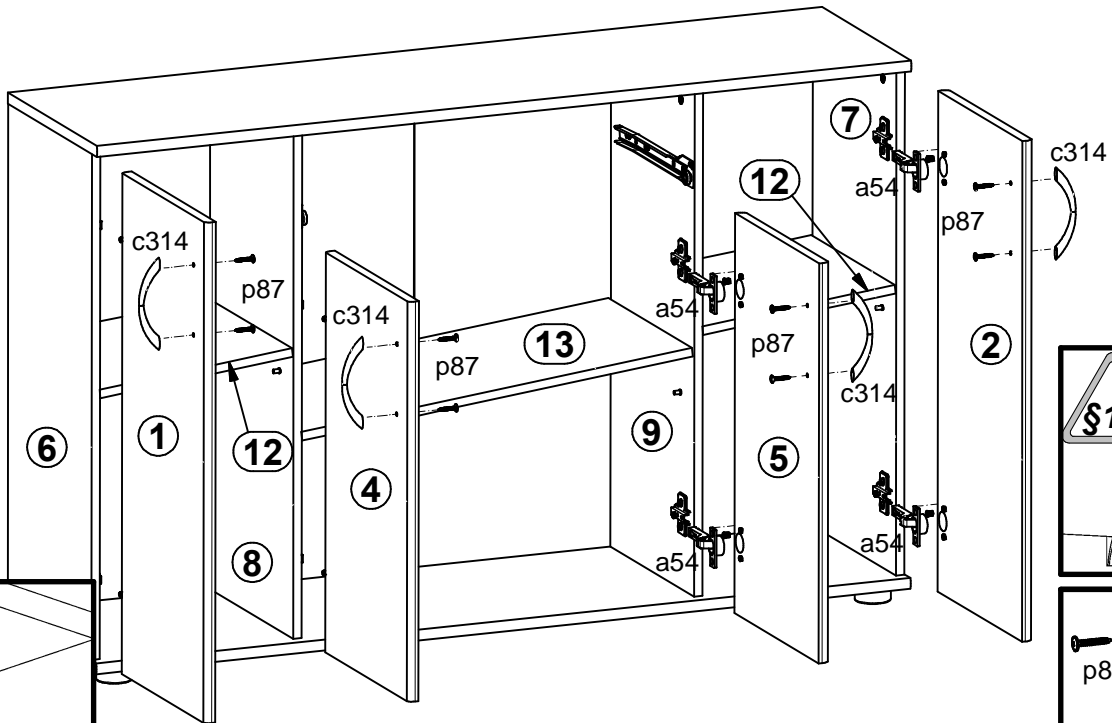
2



3

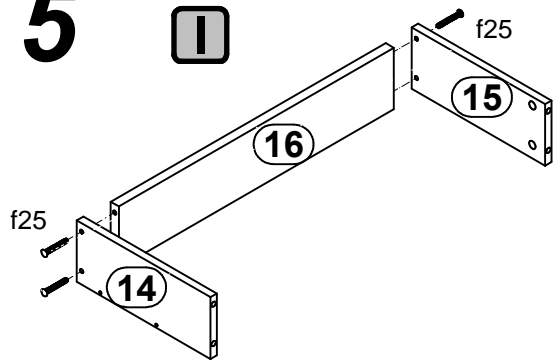


4

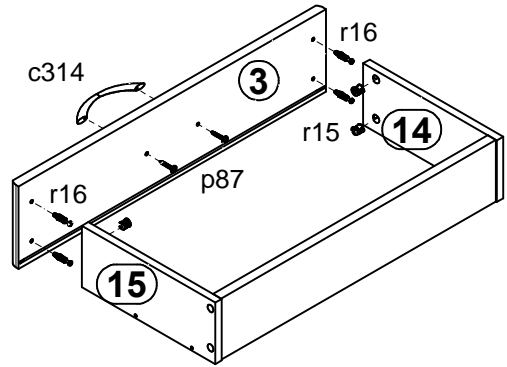


5

I



II



III

