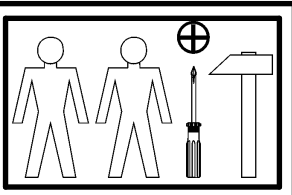
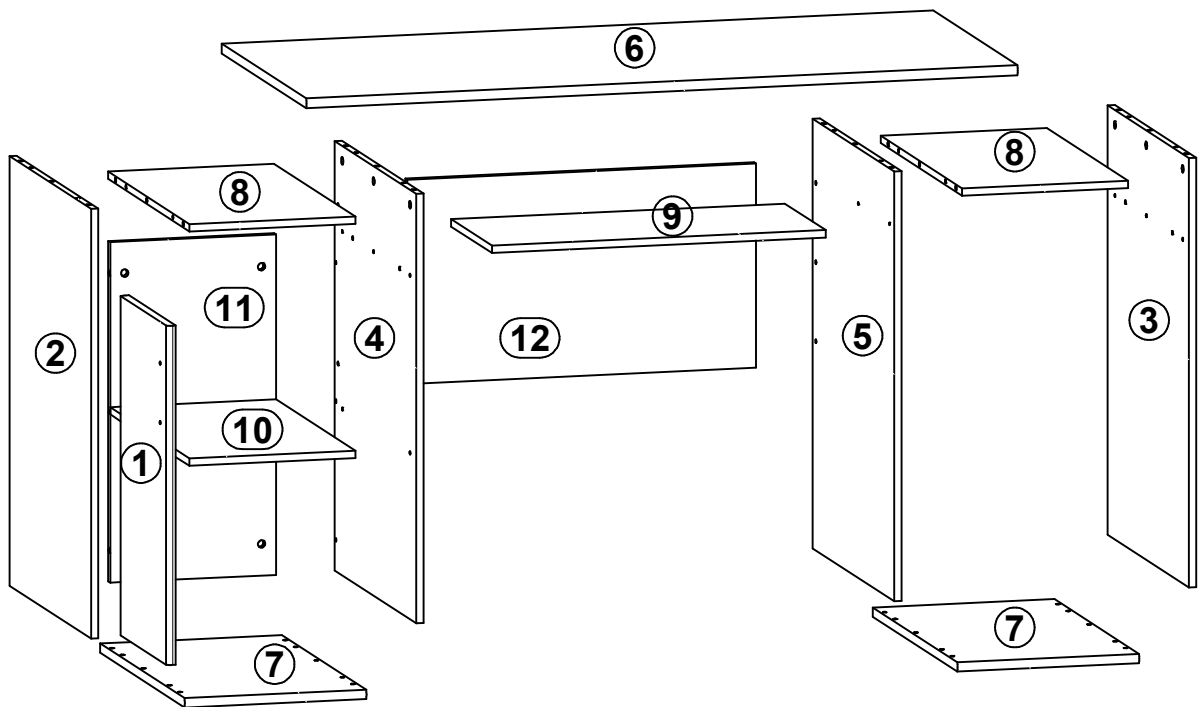
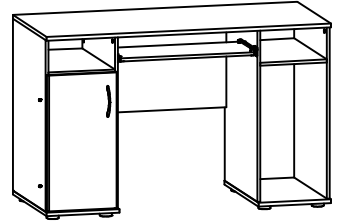


ATRISS

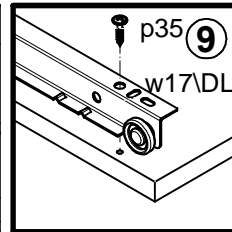
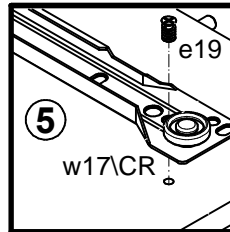
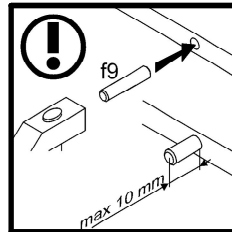
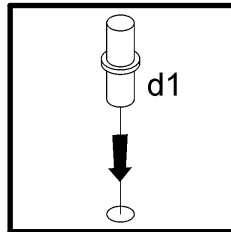
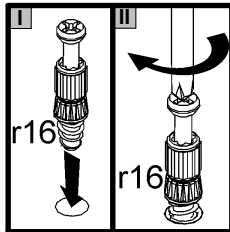
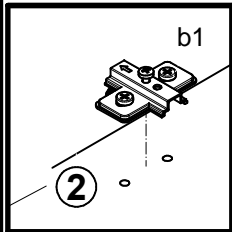
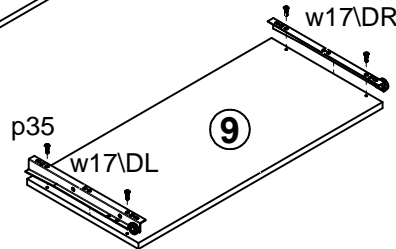
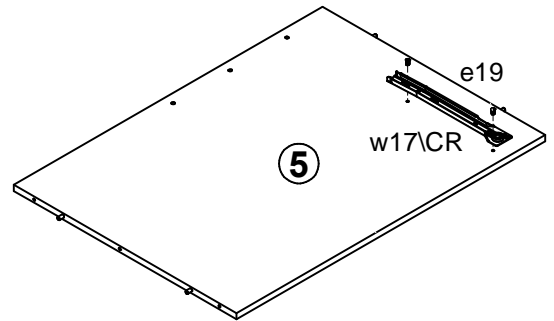
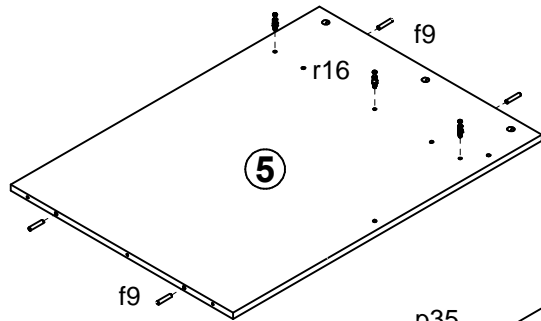
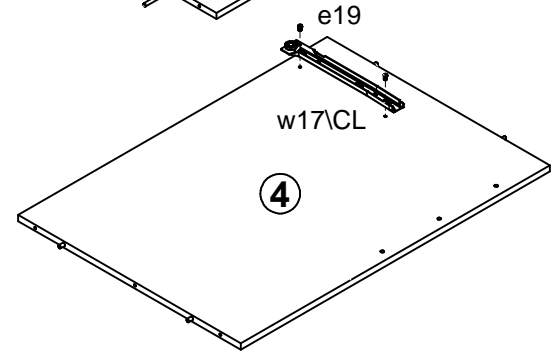
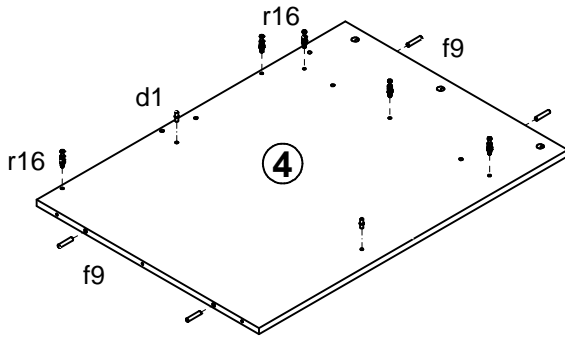
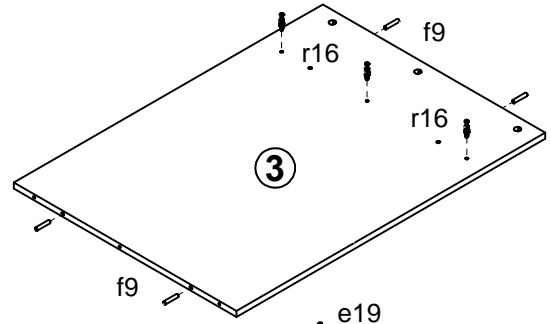
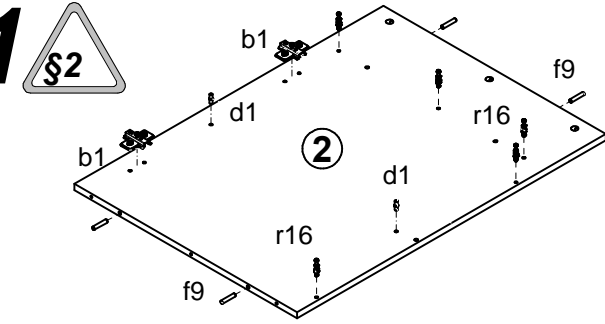
S137-BIU/117

A	B	C	D	
1	S137-004	548	287	1/1
2	S137-117	694	500	1/1
3	S137-118	694	500	1/1
4	S137-119	694	500	1/1
5	S137-120	694	500	1/1
6	S137-208	1170	520	1/1
7	S137-209	299	520	1/1
8	S137-305	273	500	1/1
9	S137-307	549	250	1/1
10	S137-308	273	487	1/1
11	S137-401	273	550	1/1
12	S137-402	574	330	1/1

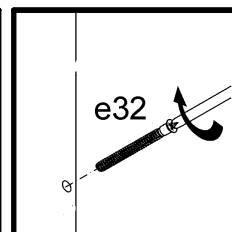
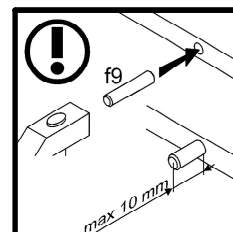
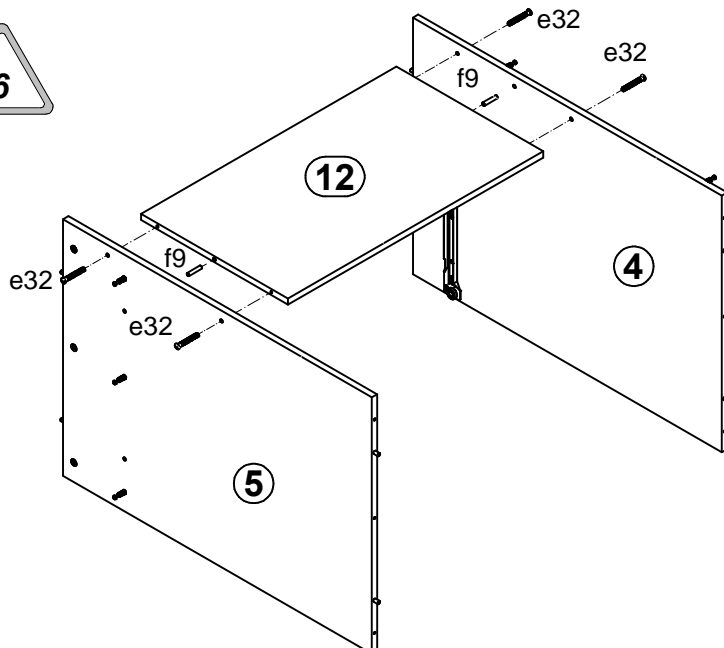


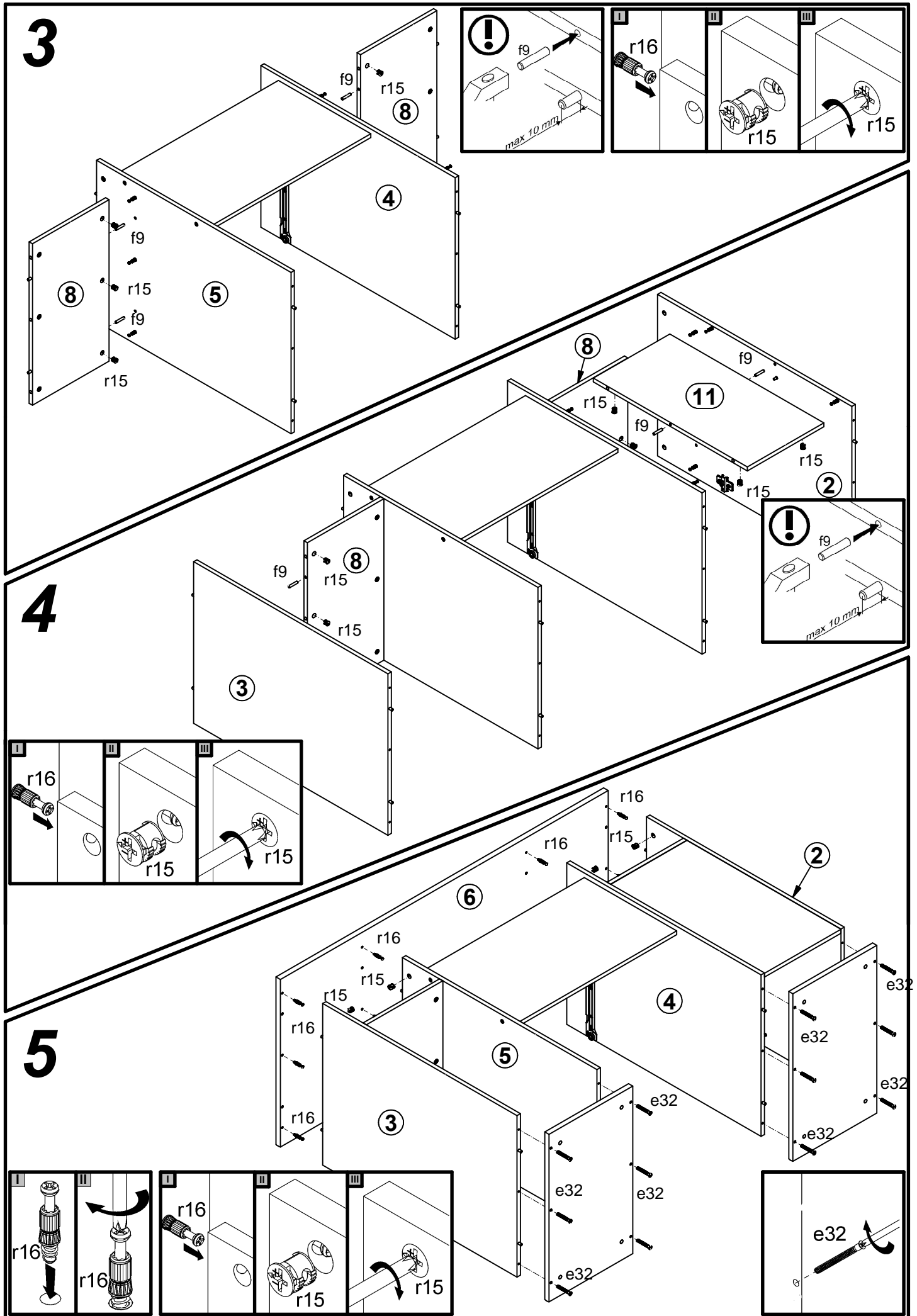
2x K8 a54	2x b1	1x c314	4x $\phi 5 \times 17$ mm d1	16x $\phi 5 \times 50$ mm e32	4x $\phi 5 \times 9$ mm e19	28x $\phi 6 \times 30$ mm f9	8x k27	4x $\phi 3.5 \times 10$ mm p35
2x $\phi 4 \times 25$ mm p87	28x $\phi 12 \times 10.5$ mm #12 r15	28x r16	1x 250 mm w17ACL	1x 250 mm w17CR	1x 250 mm w17DL	1x 250 mm w17DR		

1 §2

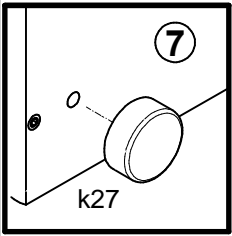
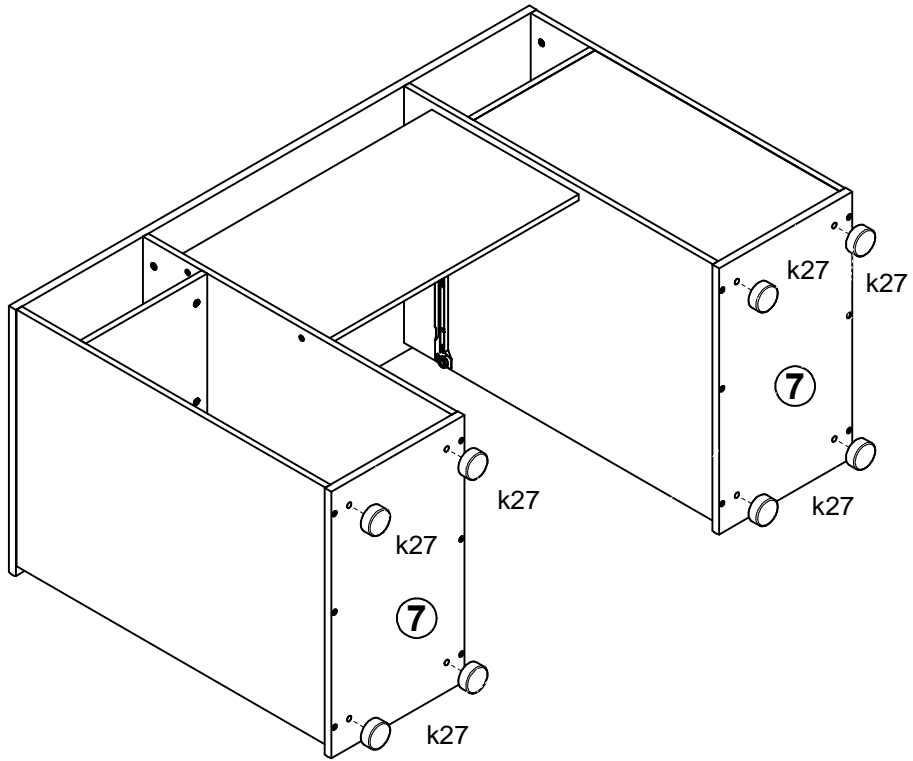


2 §6





6



7

