

A	B	C	D
1	S83-013	484	176
2	S83-136	1900	372
3	S83-137	1900	372
4	S83-138	406	100
5	S83-1575	376	76
6	S83-1576	488	76
7	S83-311	566	429
8	S83-318	566	429
9	S83-319	566	429
10	S83-405	488	60
11	S83-551	564	370
12	S83-571	1990	76
13	S83-572	1990	76
14	S83-573	1914	76
15	S83-574	1914	76
16	S83-575	90	60
17	S83-910	450	398
18	S83-919	1890	595
19	ZS1-517	400	120
20	ZS1-518	400	120
21	ZS1-6530	439	120



S177-REG1WM2SL
S180-REG1WM2SL



S177-REG1WM2SP
S180-REG1WM2SP

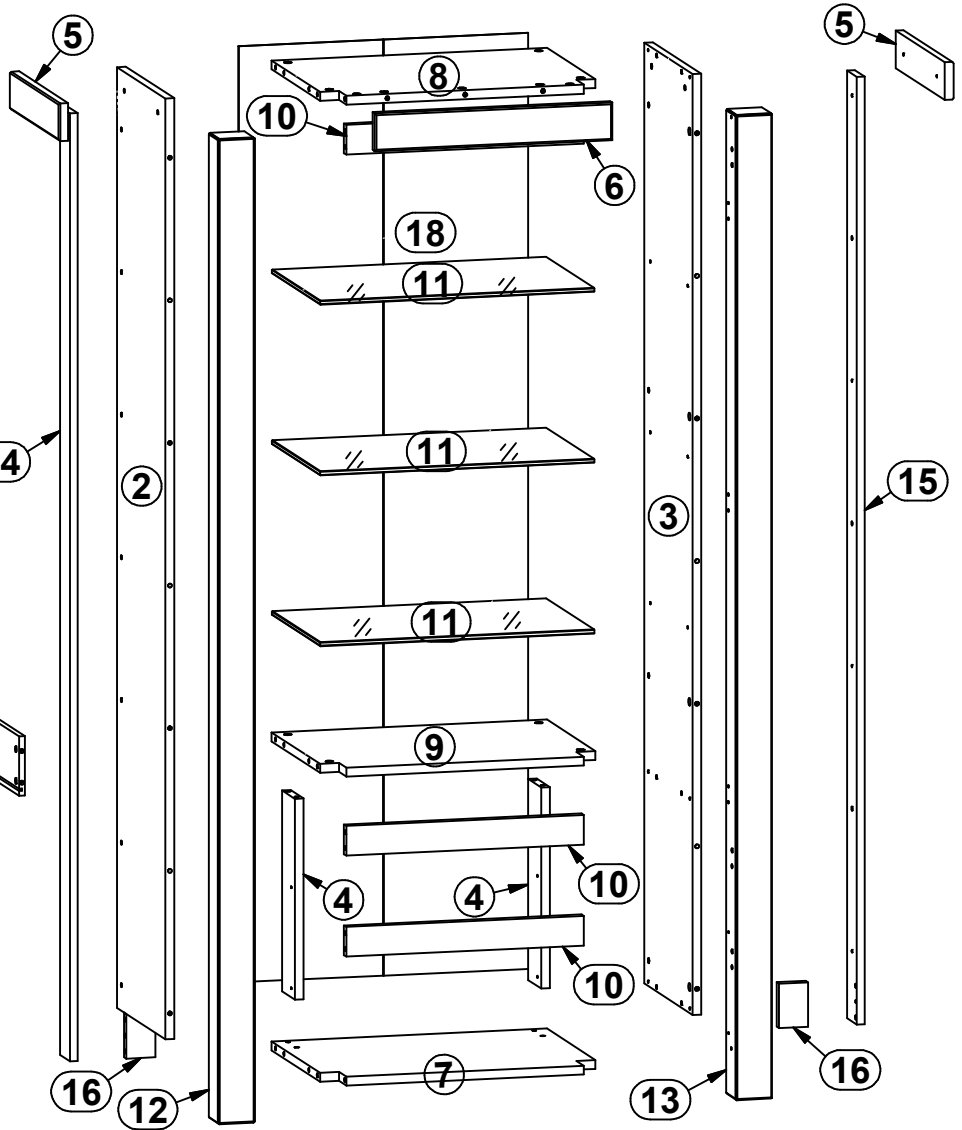
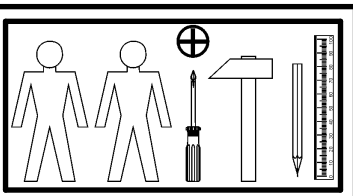
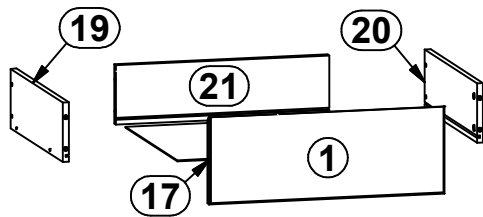


S177-REG1WM2SL
S180-REG1W2SL

A	B	C	D
22	S177-002	1388	484

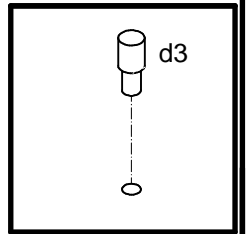
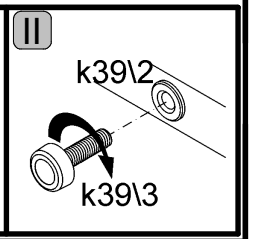
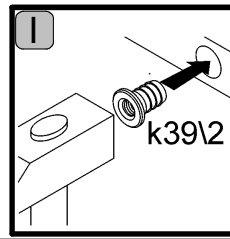
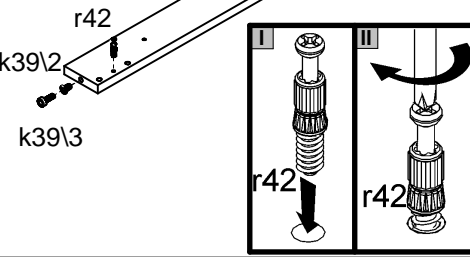
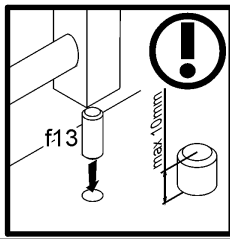
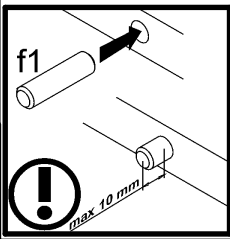
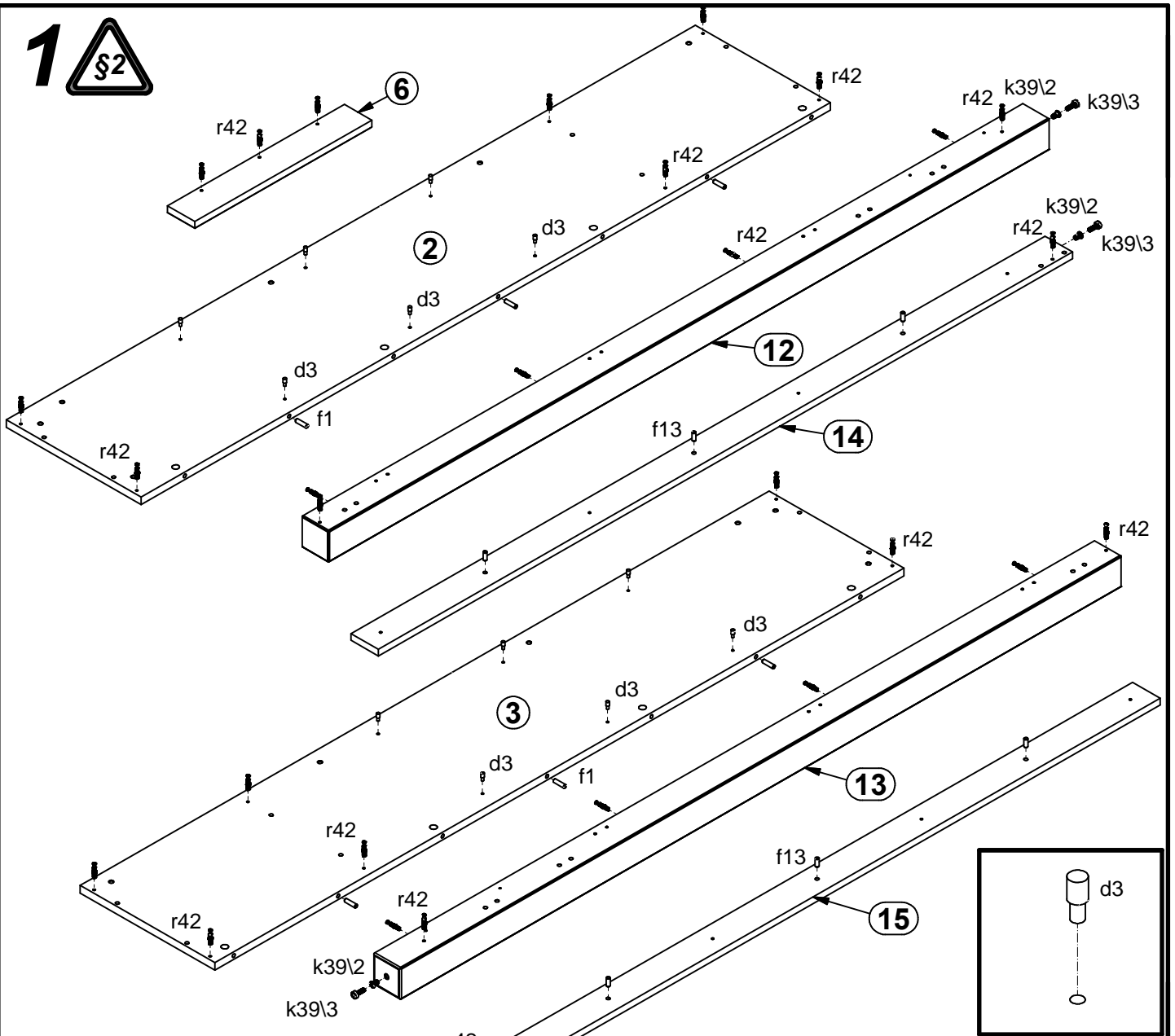
S177-REG1WM2SP
S180-REG1W2SP

A	B	C	D
23	S177-003	1388	484

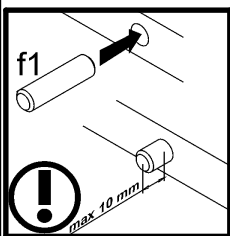
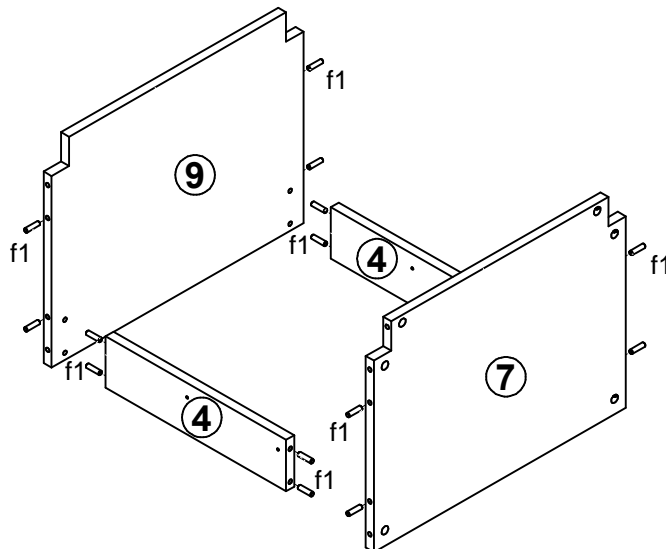


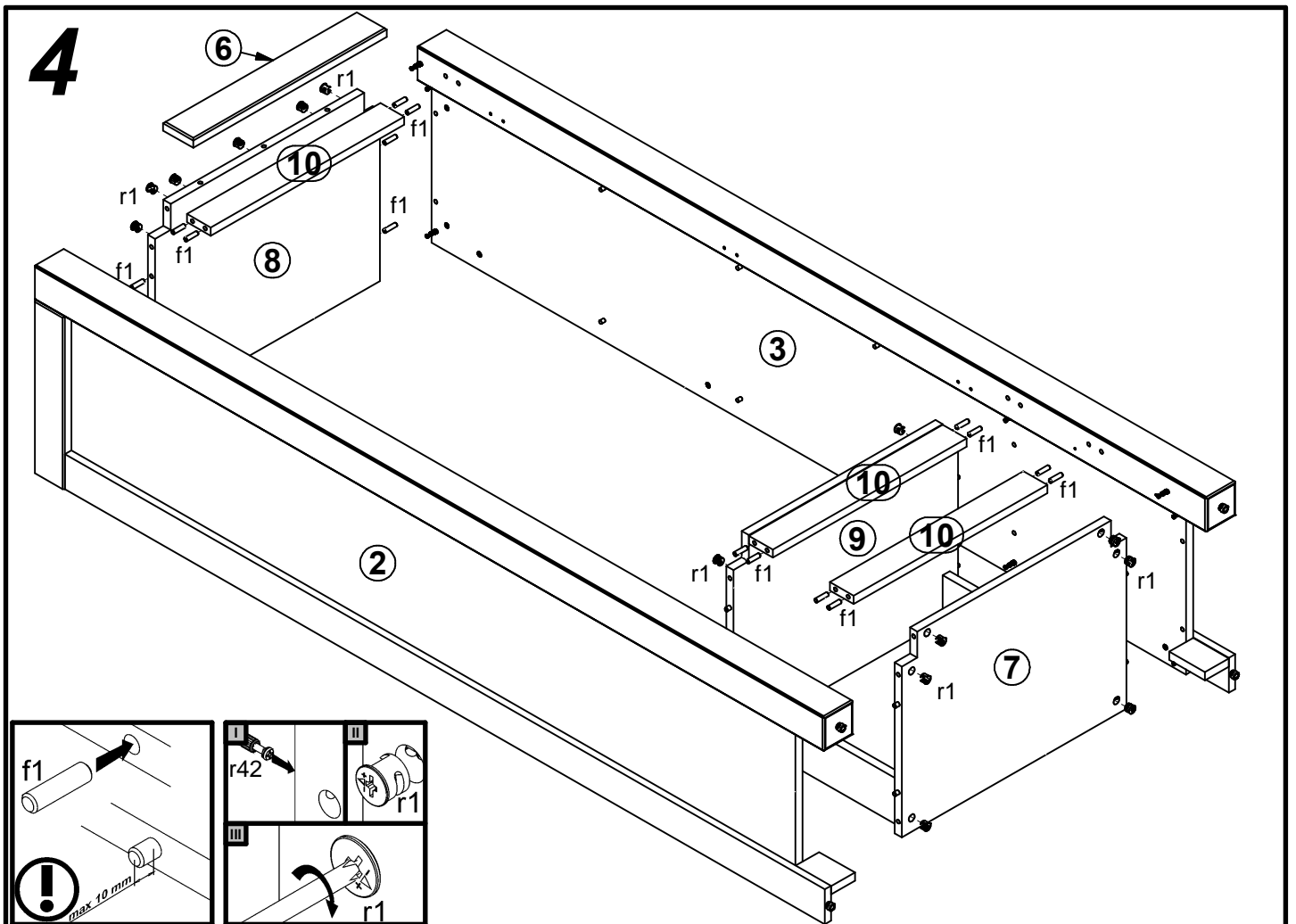
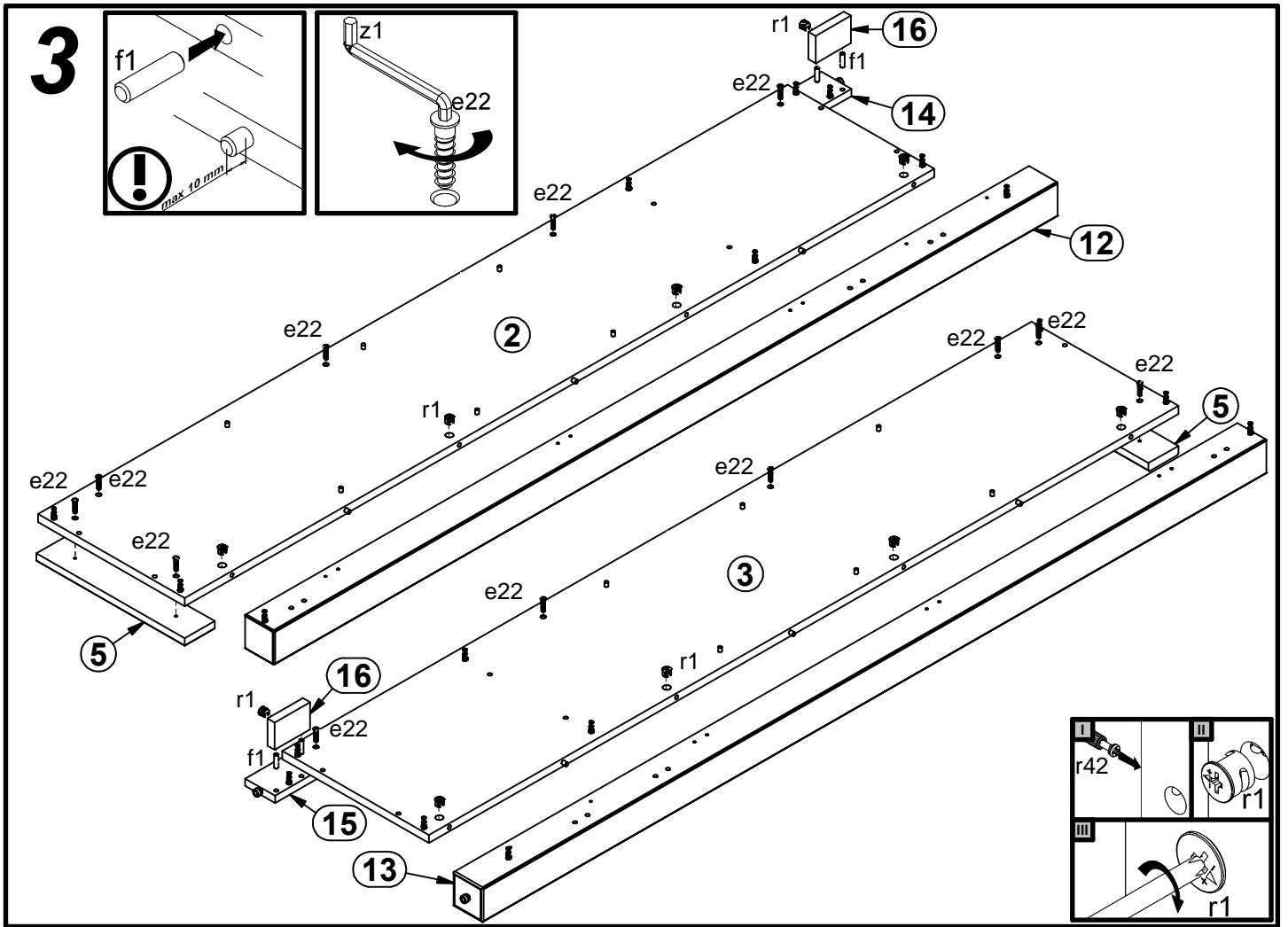
3x a43	3x b19	12x φ5x17 mm d3	6x Ø6.3x13 mm e2	8x φ6x13 mm e3	8x φ5x9 mm e19	12x φ7x28 mm e22	42x φ8x30 mm f1	6x φ8x20 mm f13
8x φ6.5x40 mm f25	4x M6/φ9x14 mm k39/2	4x M6/22mm k39/3	60x l1	6x Ø3.5x15 mm p51	29x φ1.5x12mm #16 r1	8x φ12x10.5mm #12 r15	37x r42	2x 400 mm w5/CL
2x 400 mm w5/CR	2x 400 mm w5/DL	2x 400 mm w5/DR	10x s1	10x ø16 s2	1x z1	1x n26/1	1x φ3.5x16 mm p38	

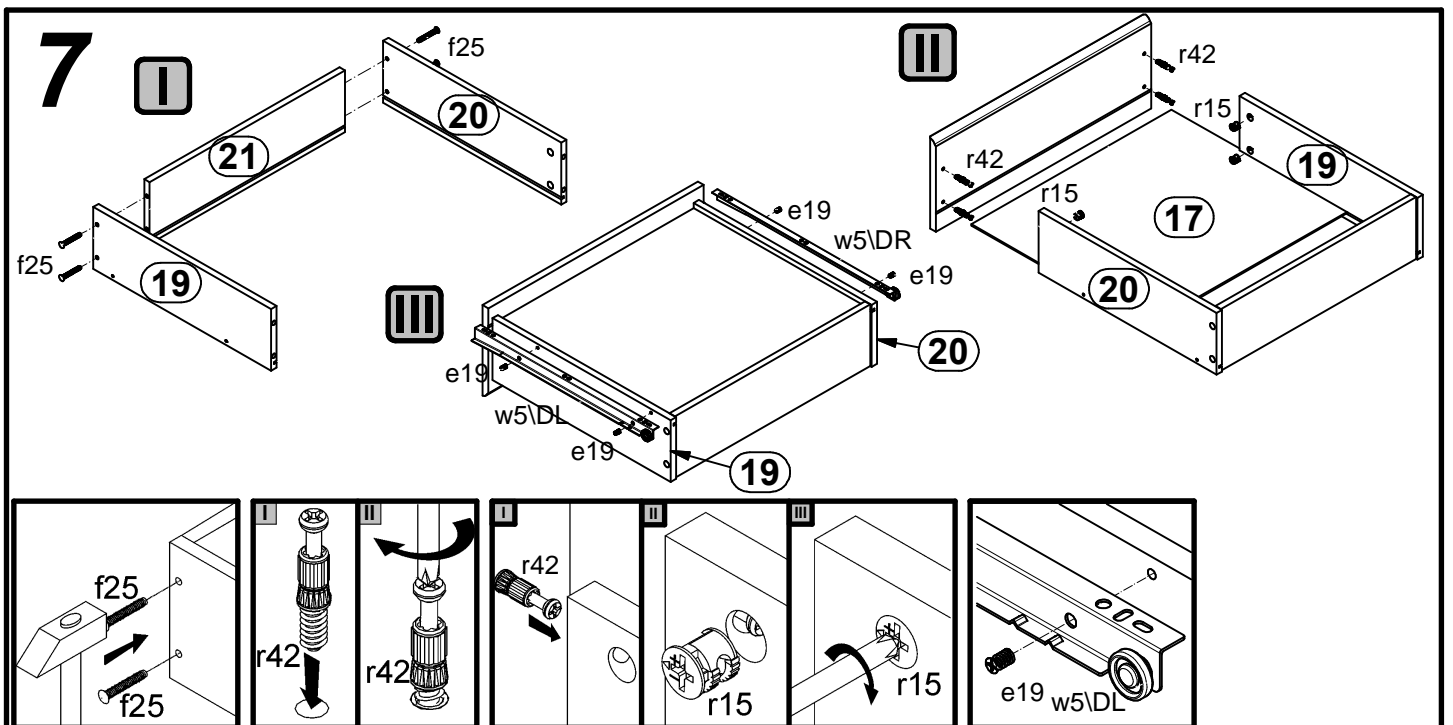
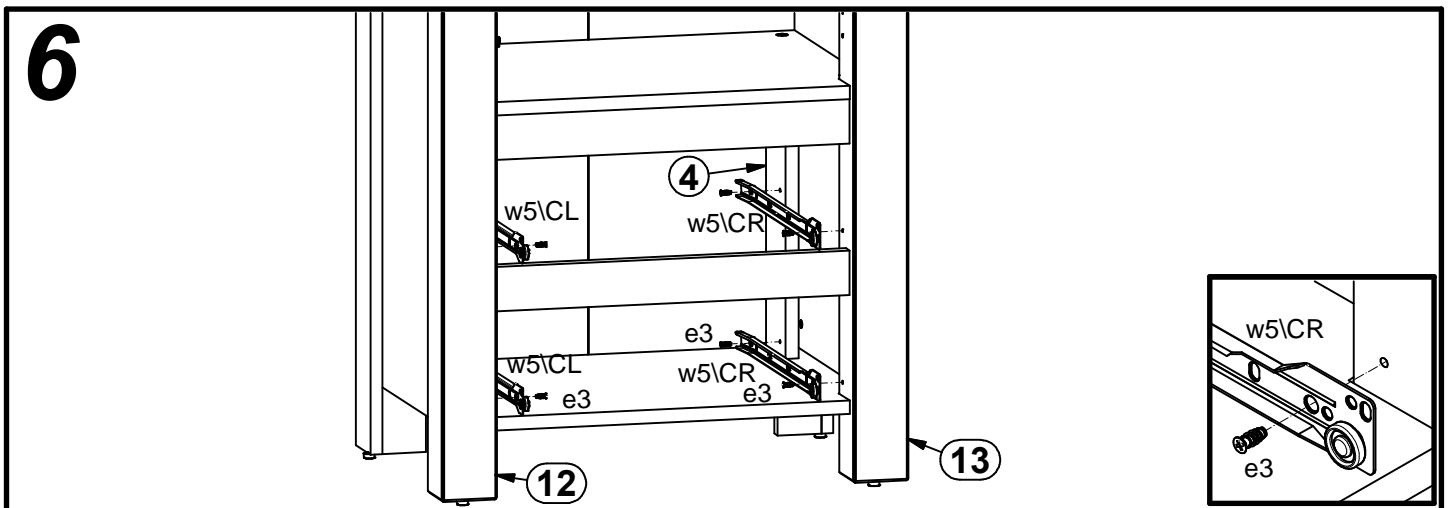
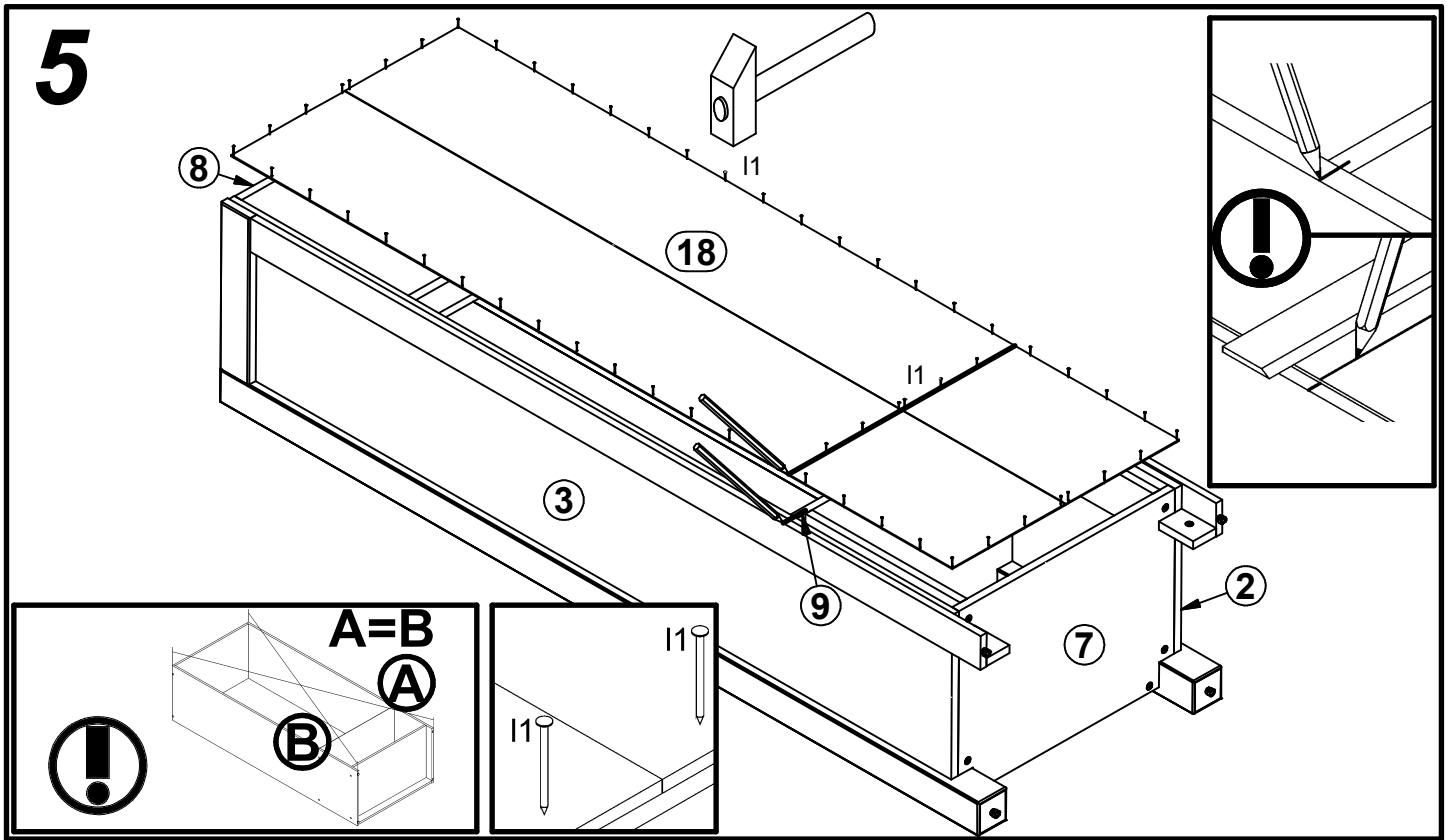
1



2



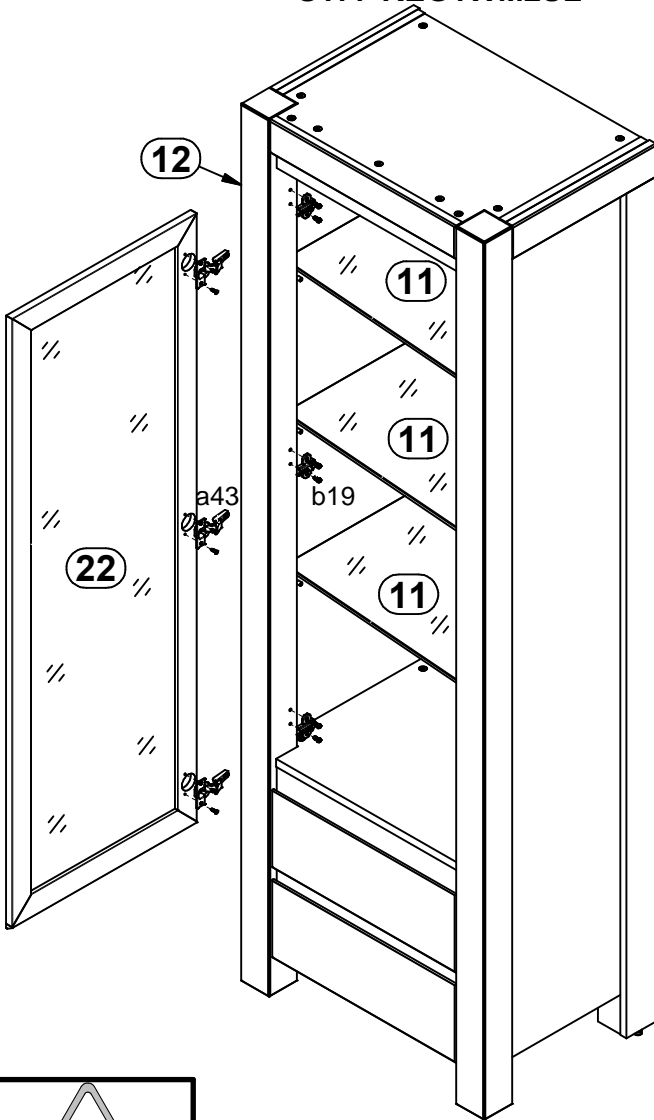




8



S177-REG1WM2SL



S177-REG1WM2SP

