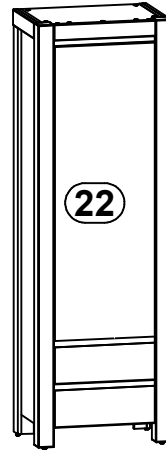


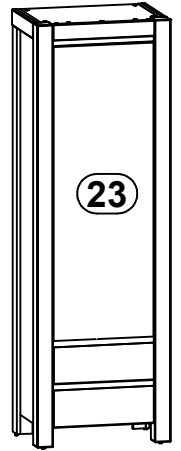
A	B	C	D
1	S83-013	484	176
2	S83-136	1900	372
3	S83-137	1900	372
4	S83-138	406	100
5	S83-1575	376	76
6	S83-1576	488	76
7	S83-311	566	429
8	S83-318	566	429
9	S83-319	566	429
10	S83-329	565	371
11	S83-405	488	60
12	S83-571	1990	76
13	S83-572	1990	76
14	S83-573	1914	76
15	S83-574	1914	76
16	S83-575	90	60
17	S83-910	450	398
18	S83-919	1890	595
19	ZS1-517	400	120
20	ZS1-518	400	120
21	ZS1-6530	439	120



S83-REG1D2SL
S177-REG1D2SL
S180-REG1D2SL



S83-REG1D2SP
S177-REG1D2SP
S180-REG1D2SP

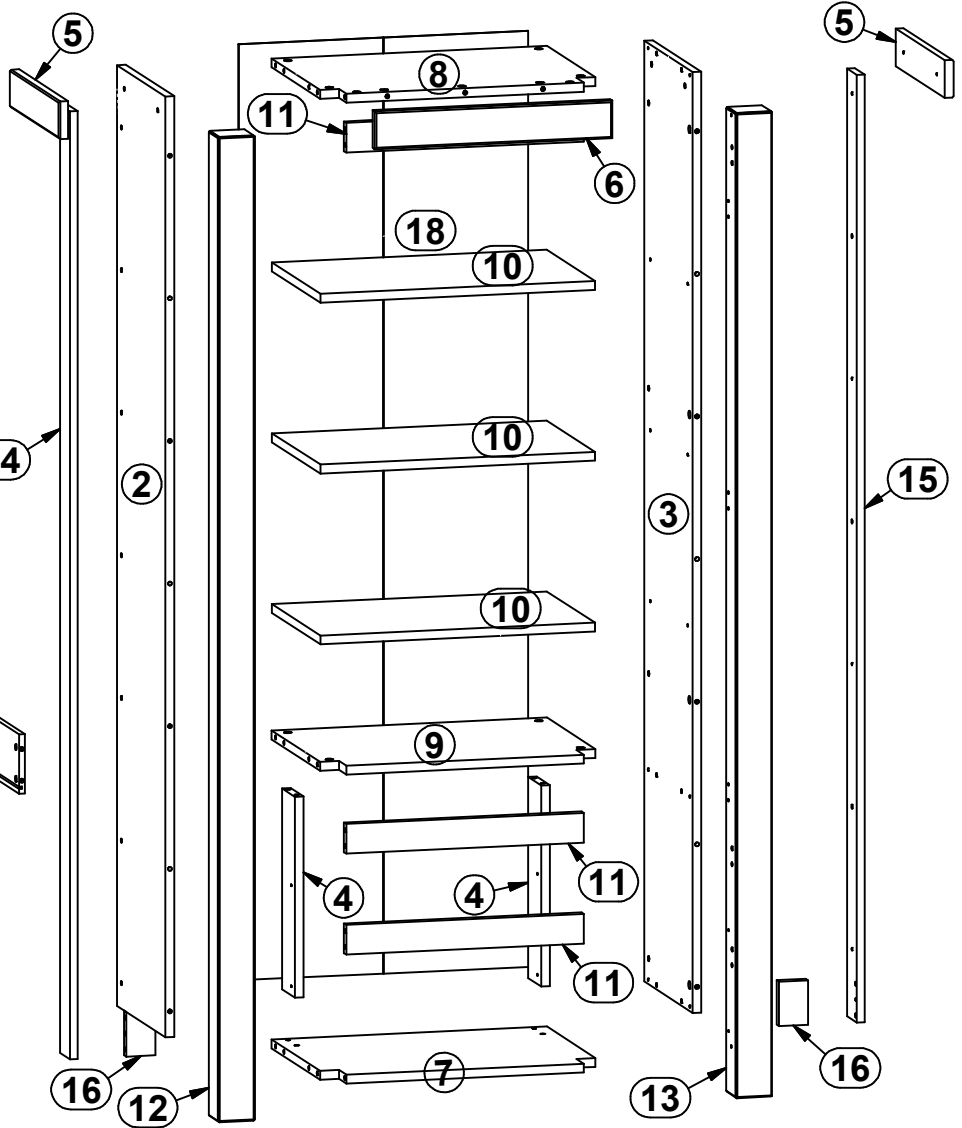
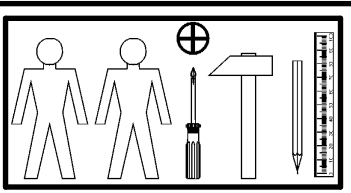
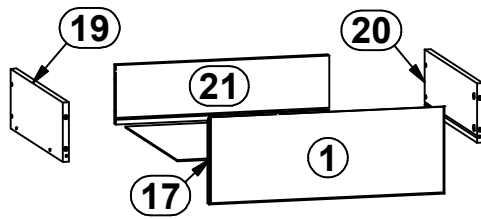


S83-REG1D2SL
S177-REG1D2SL
S180-REG1D2SL

A	B	C	D
22	S83-024	1388	484

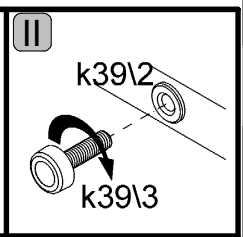
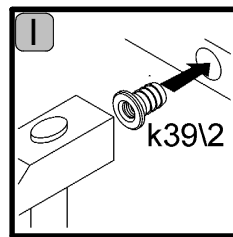
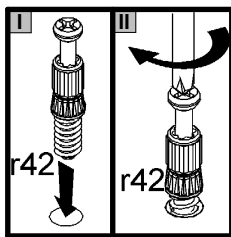
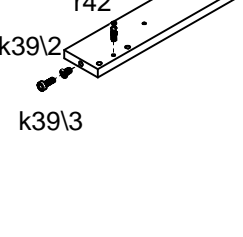
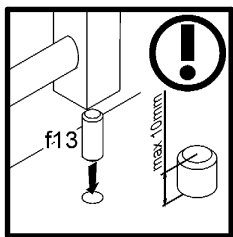
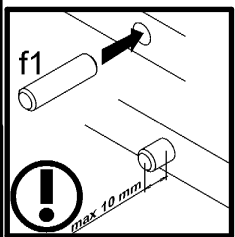
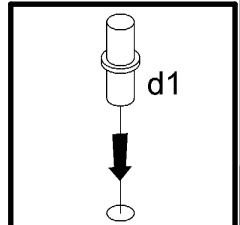
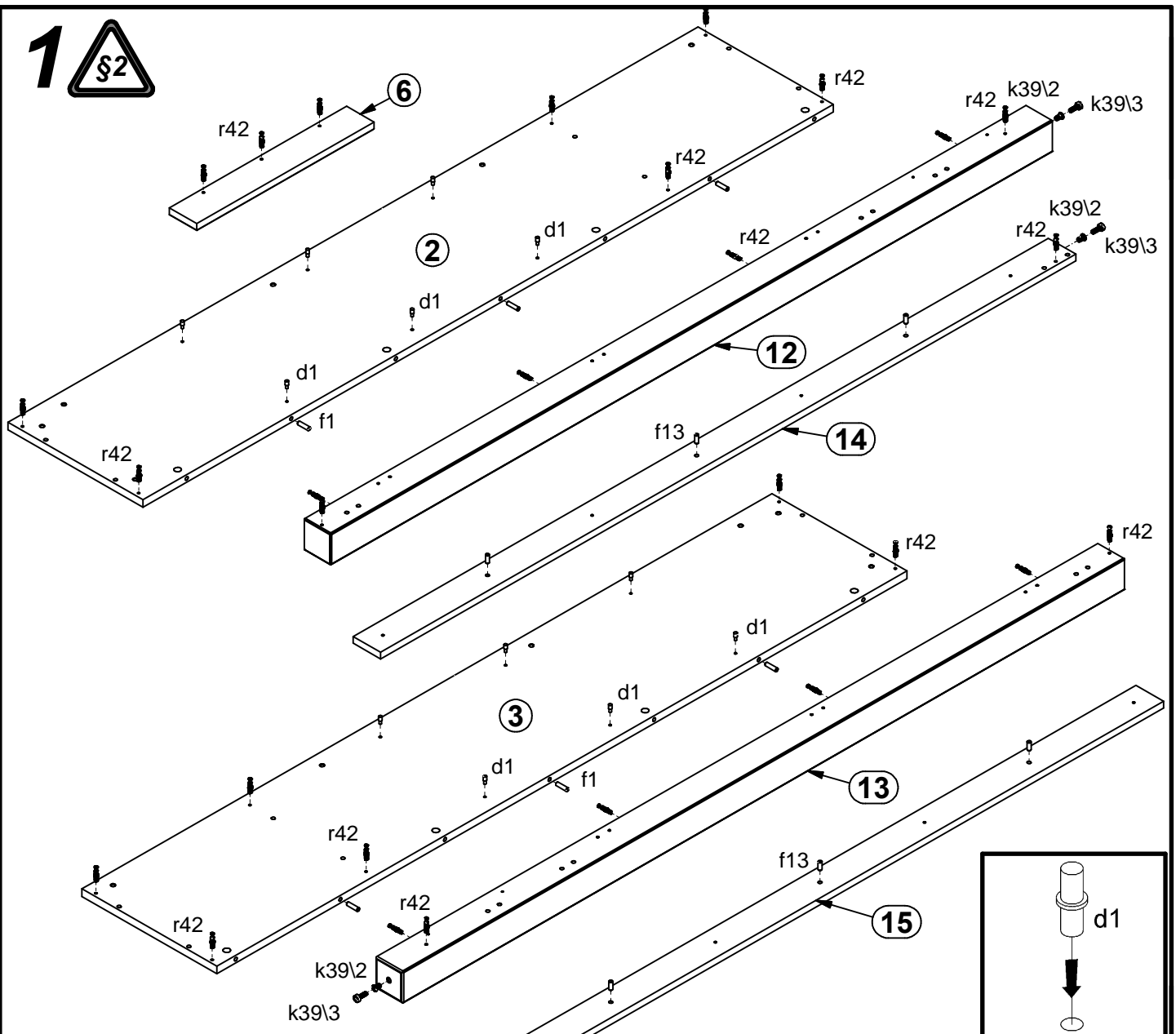
S83-REG1D2SP
S177-REG1D2SP
S180-REG1D2SP

A	B	C	D
23	S83-025	1388	484

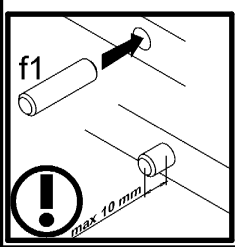
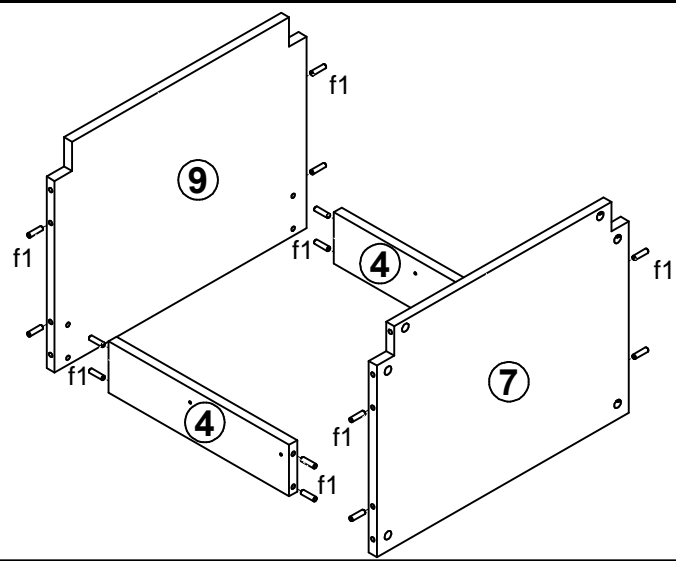


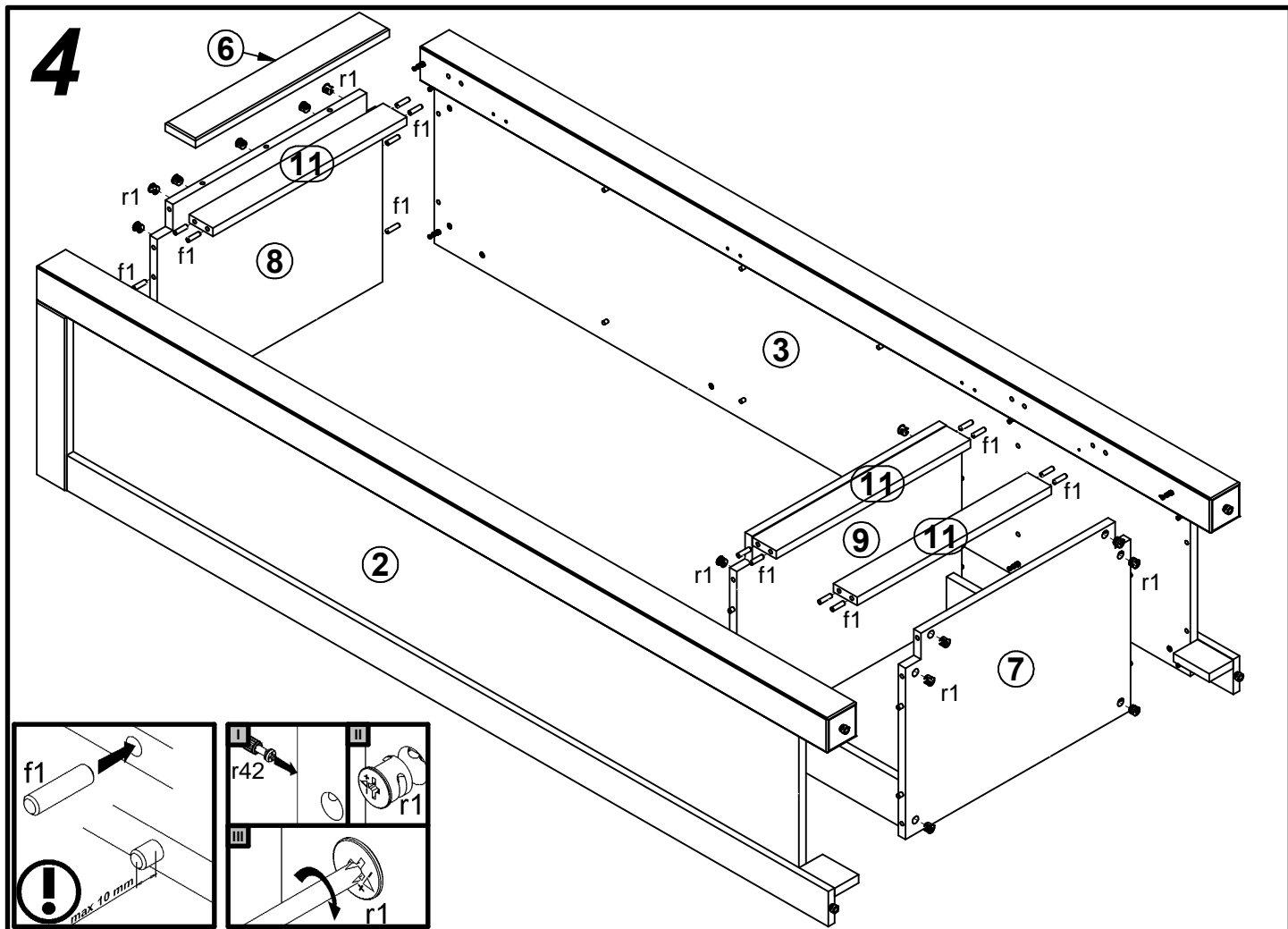
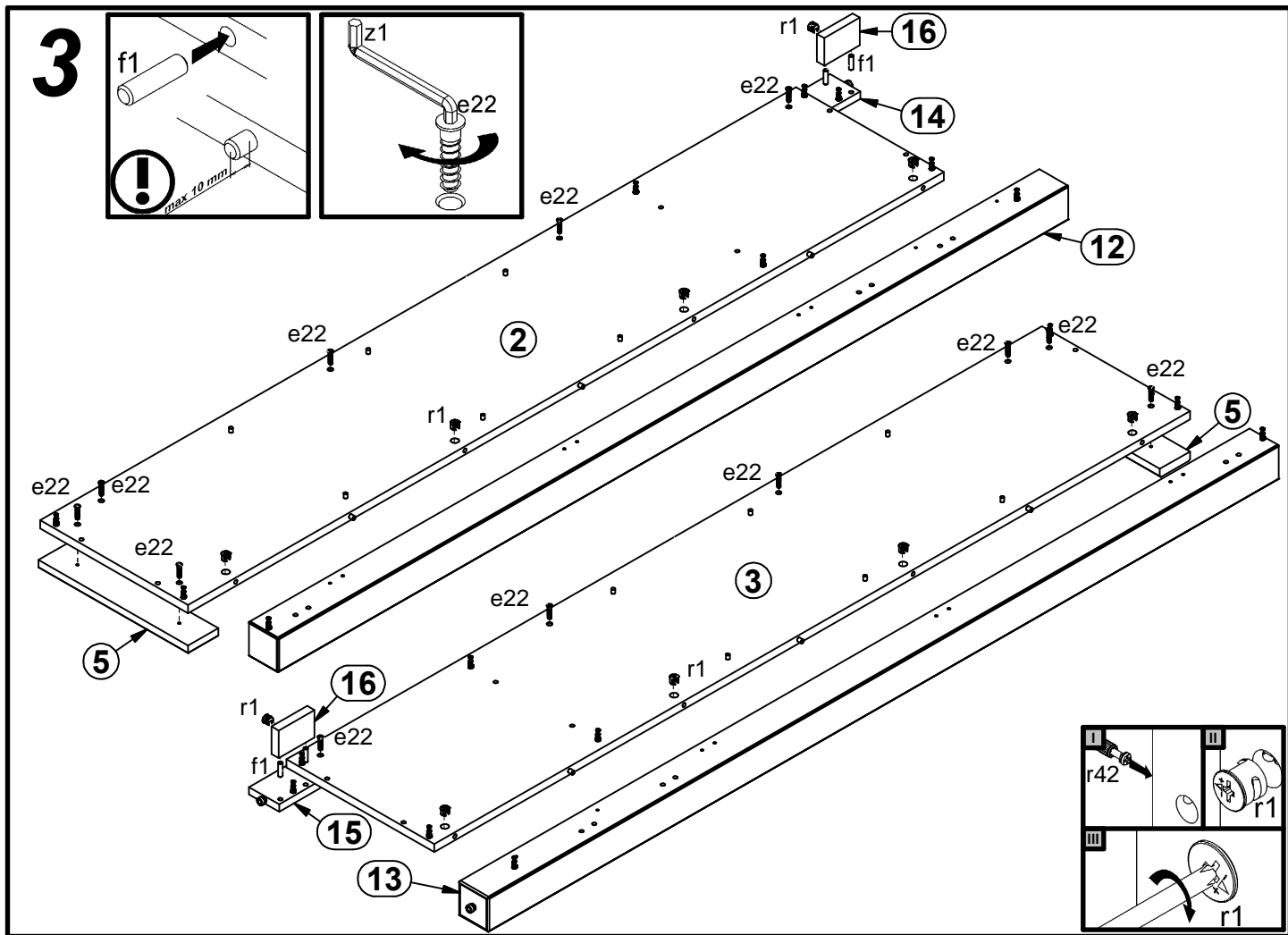
3x a43	3x b19	12x d1 φ5x17 mm	8x e19 φ5x9 mm	12x e22 φ7x28 mm	8x e3 φ6x13 mm	42x f1 φ8x30 mm	6x f13 φ8x20 mm	8x f25 φ6.5x40 mm
4x k39/2 M6/φx14 mm	4x k39/3 M6/22mm	60x l1	6x e2 φ6.3x13 mm	29x r1 φ1.5x12mm #16	8x r15 φ12x10.5mm #12	37x r42	2x w5/CL 400 mm	2x w5/CR 400 mm
2x w5/DL 400 mm	2x w5/DR 400 mm	10x s1	10x s2 ø16	1x z1	1x n26/1	1x p38 φ3.5x16 mm	6x p51 φ3.5x15 mm	

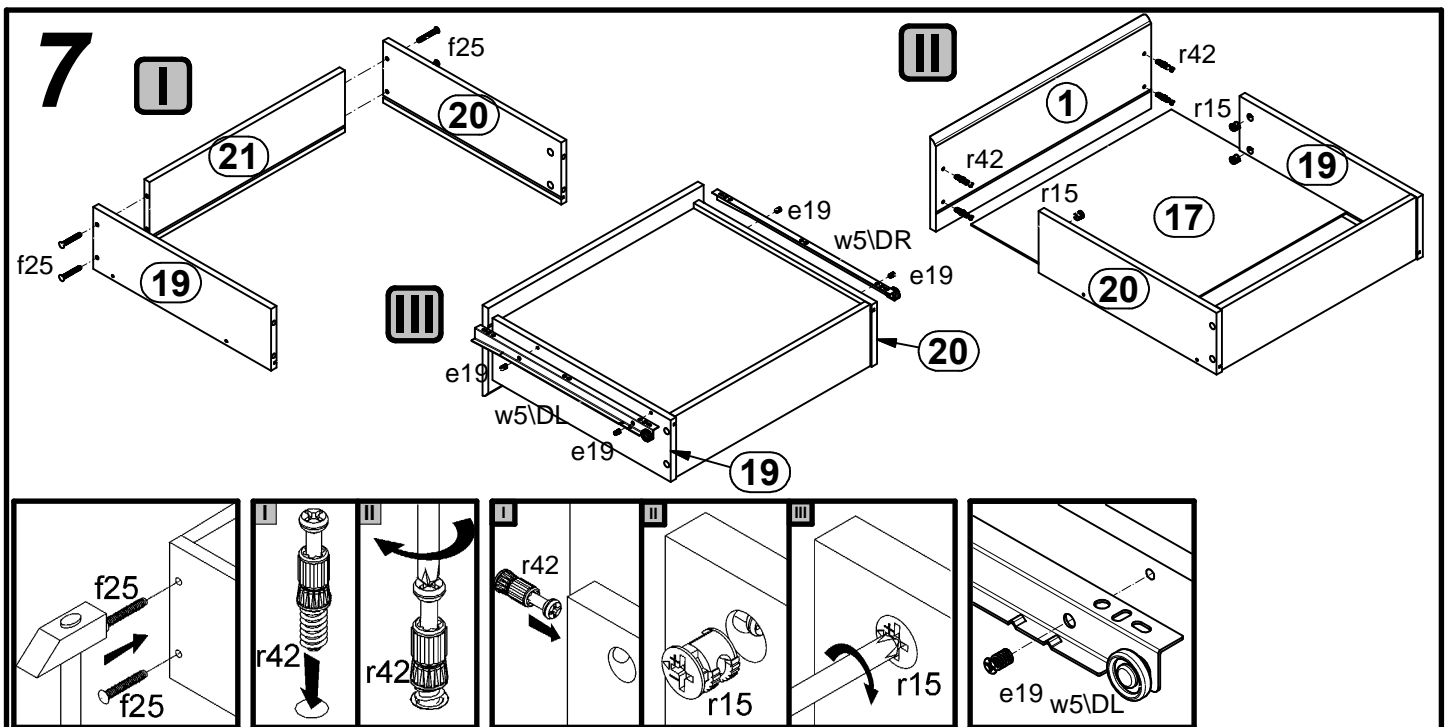
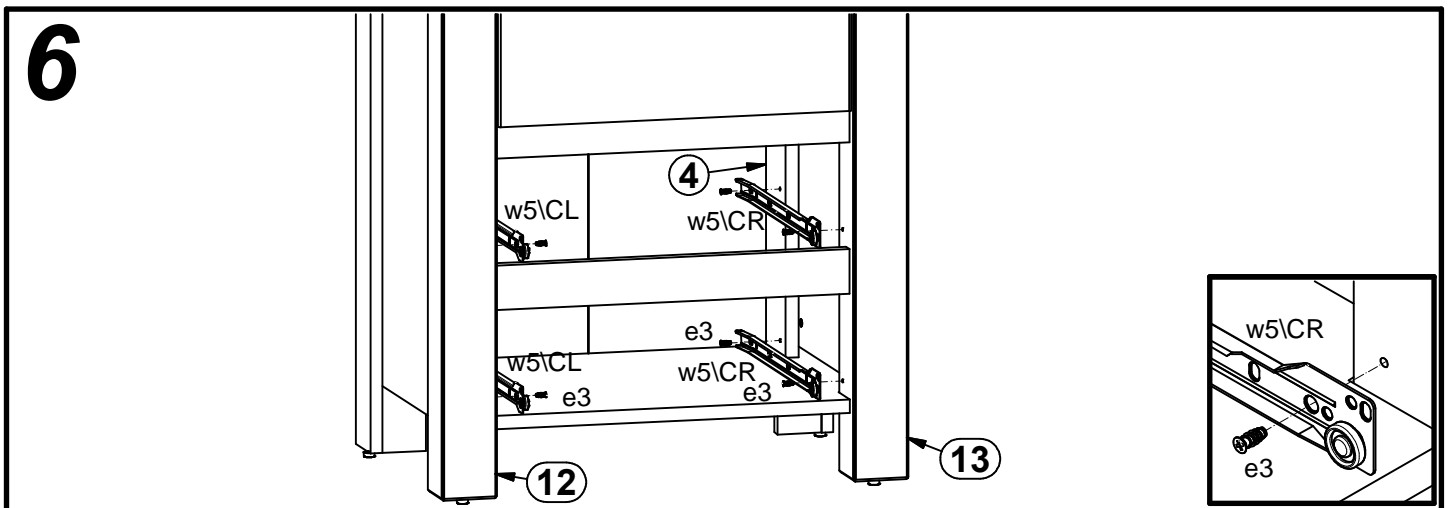
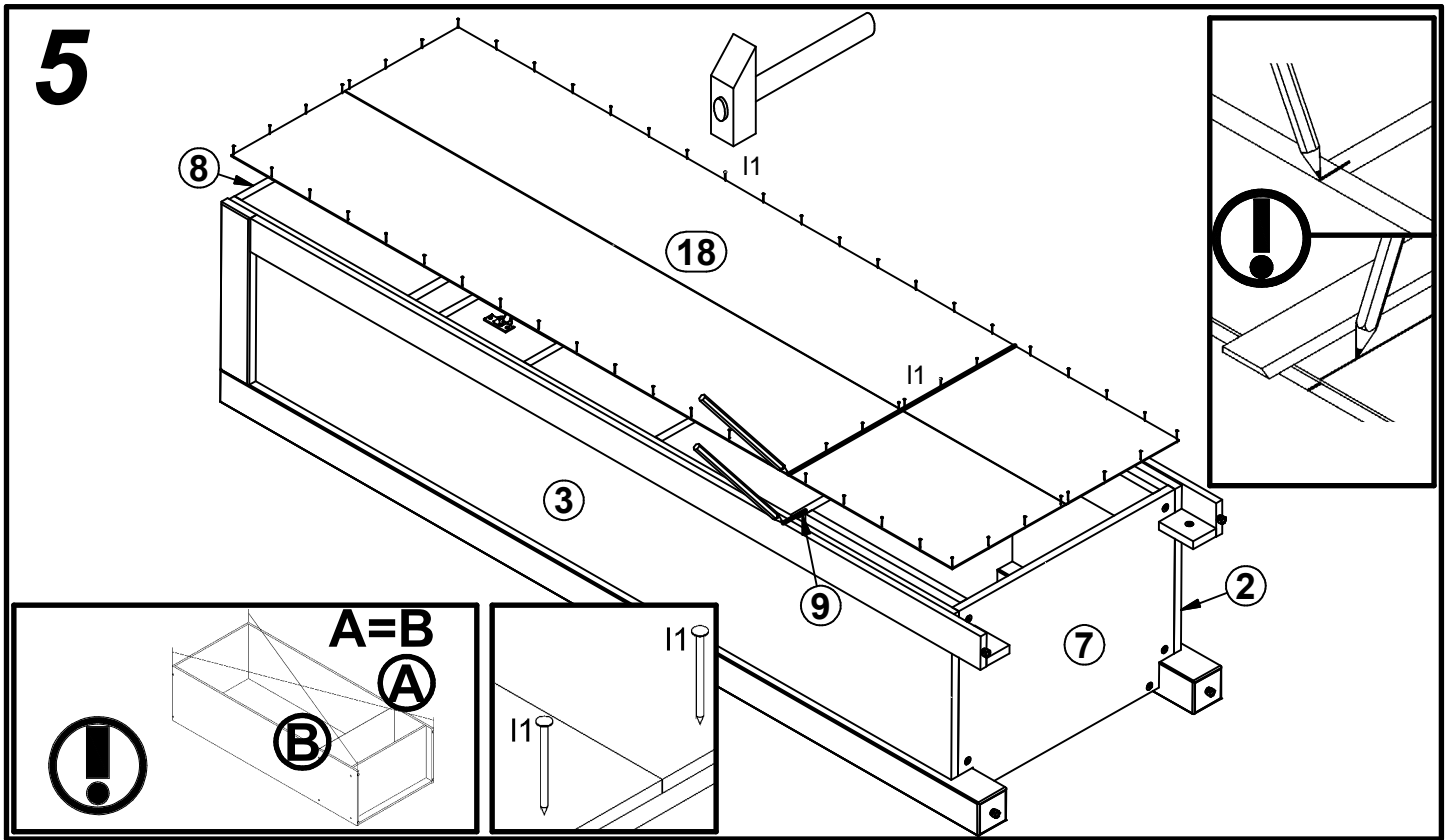
1



2







8

