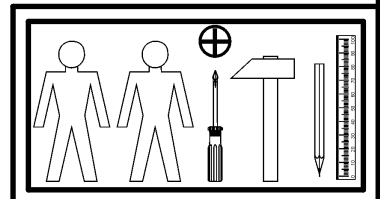
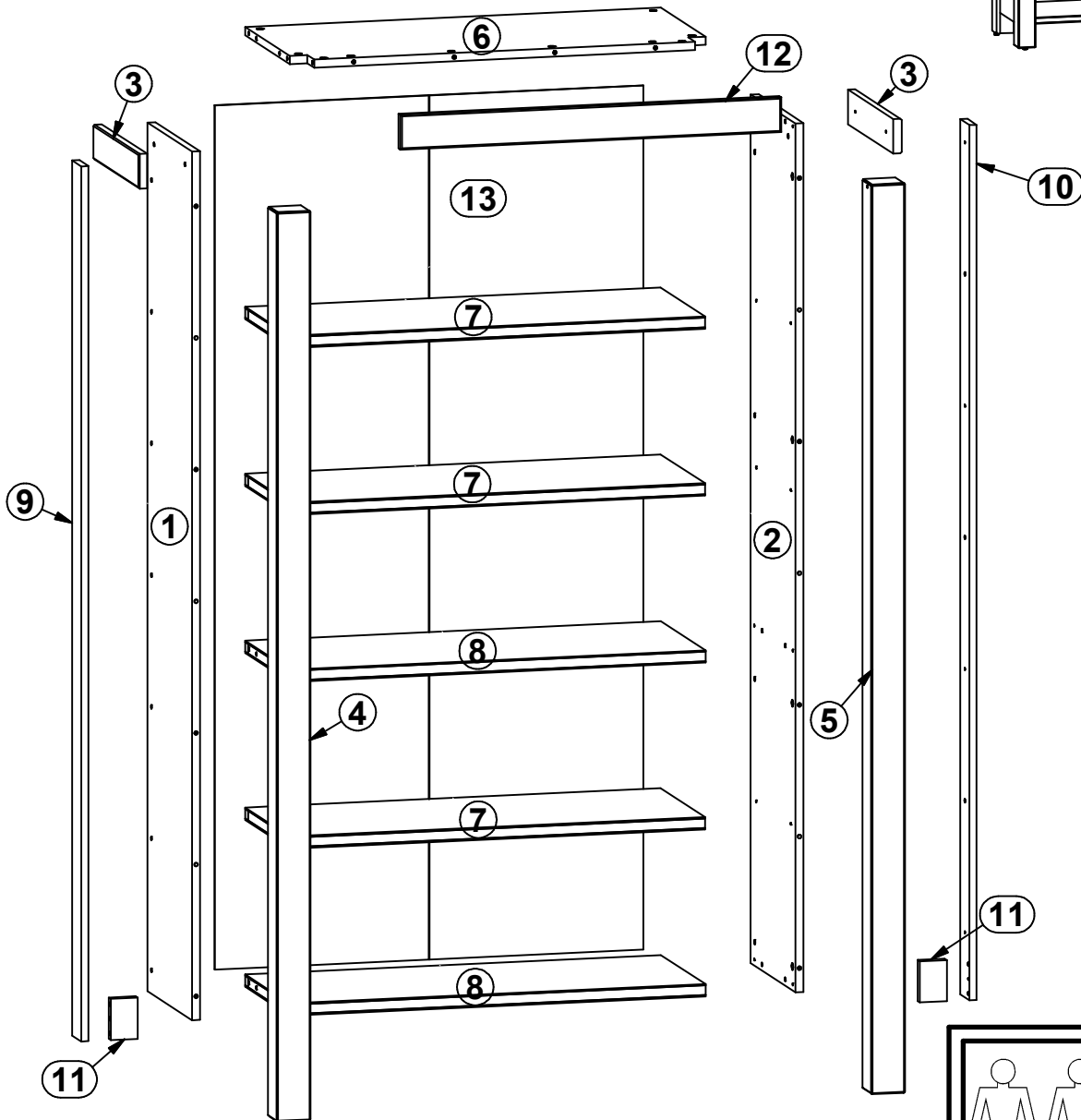
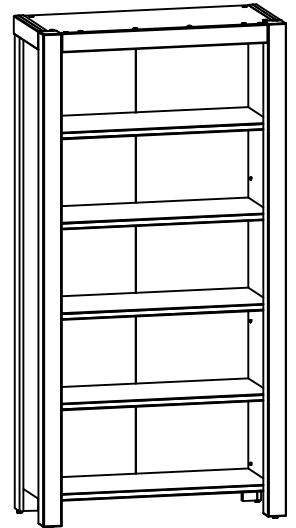
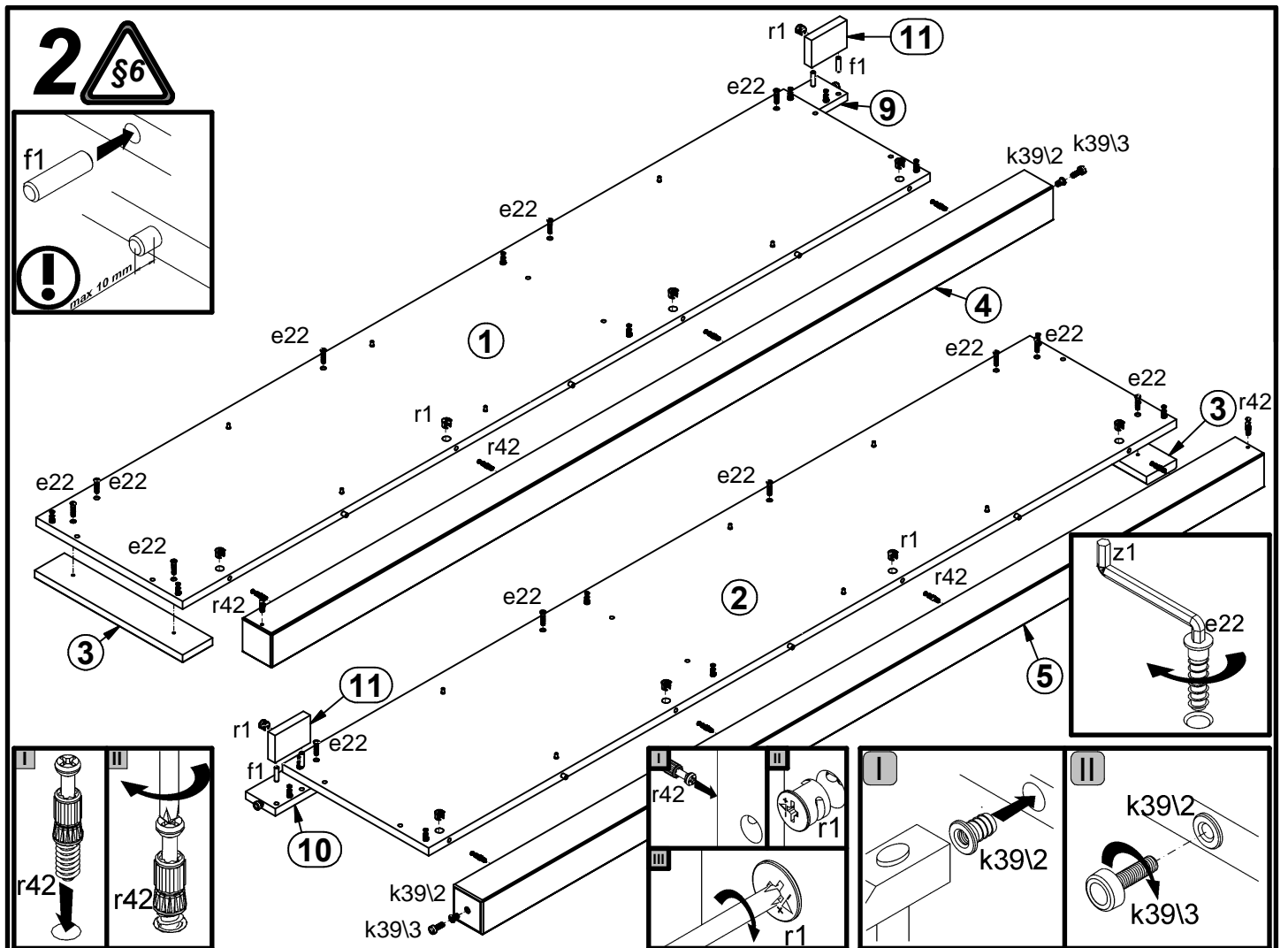
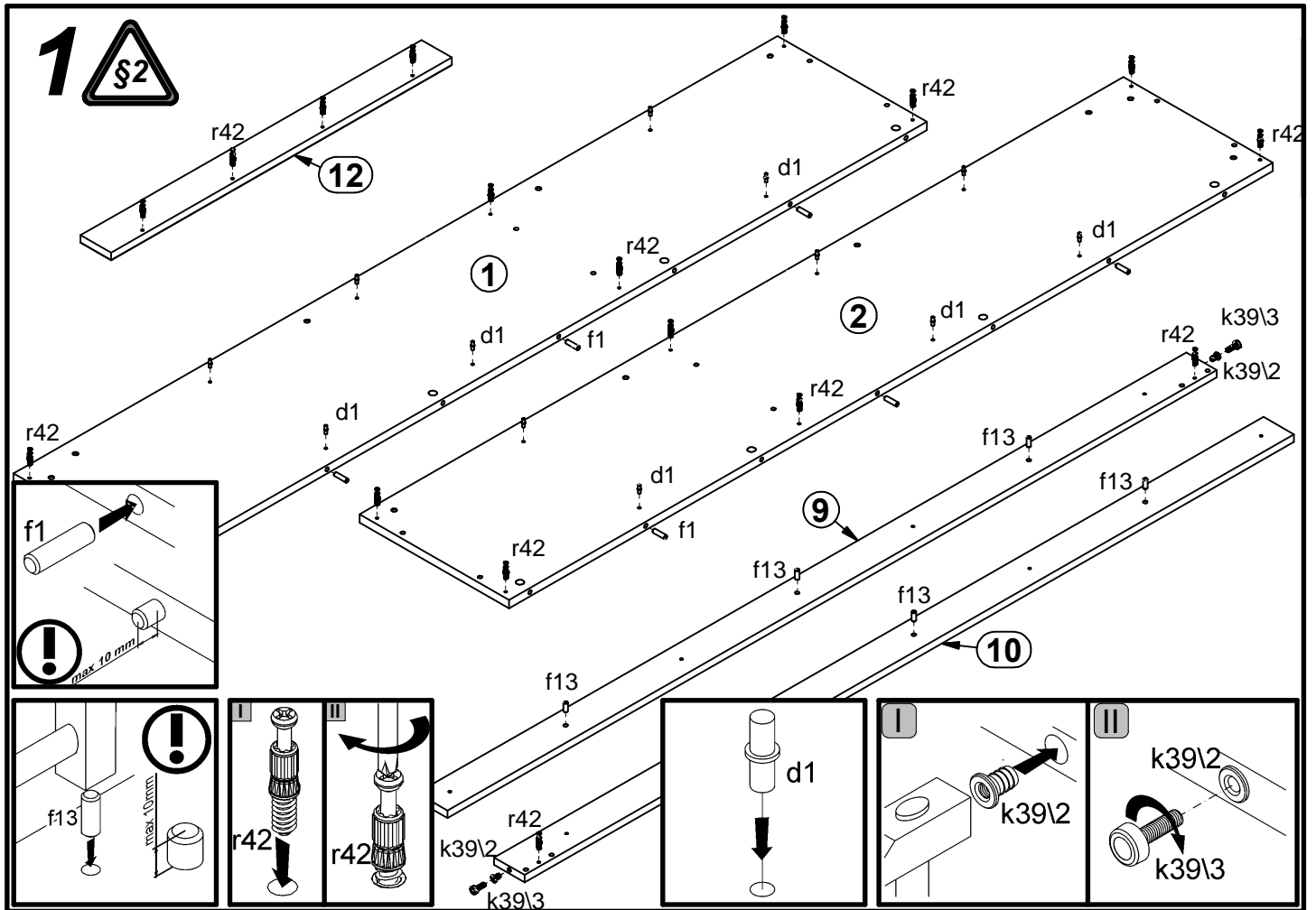


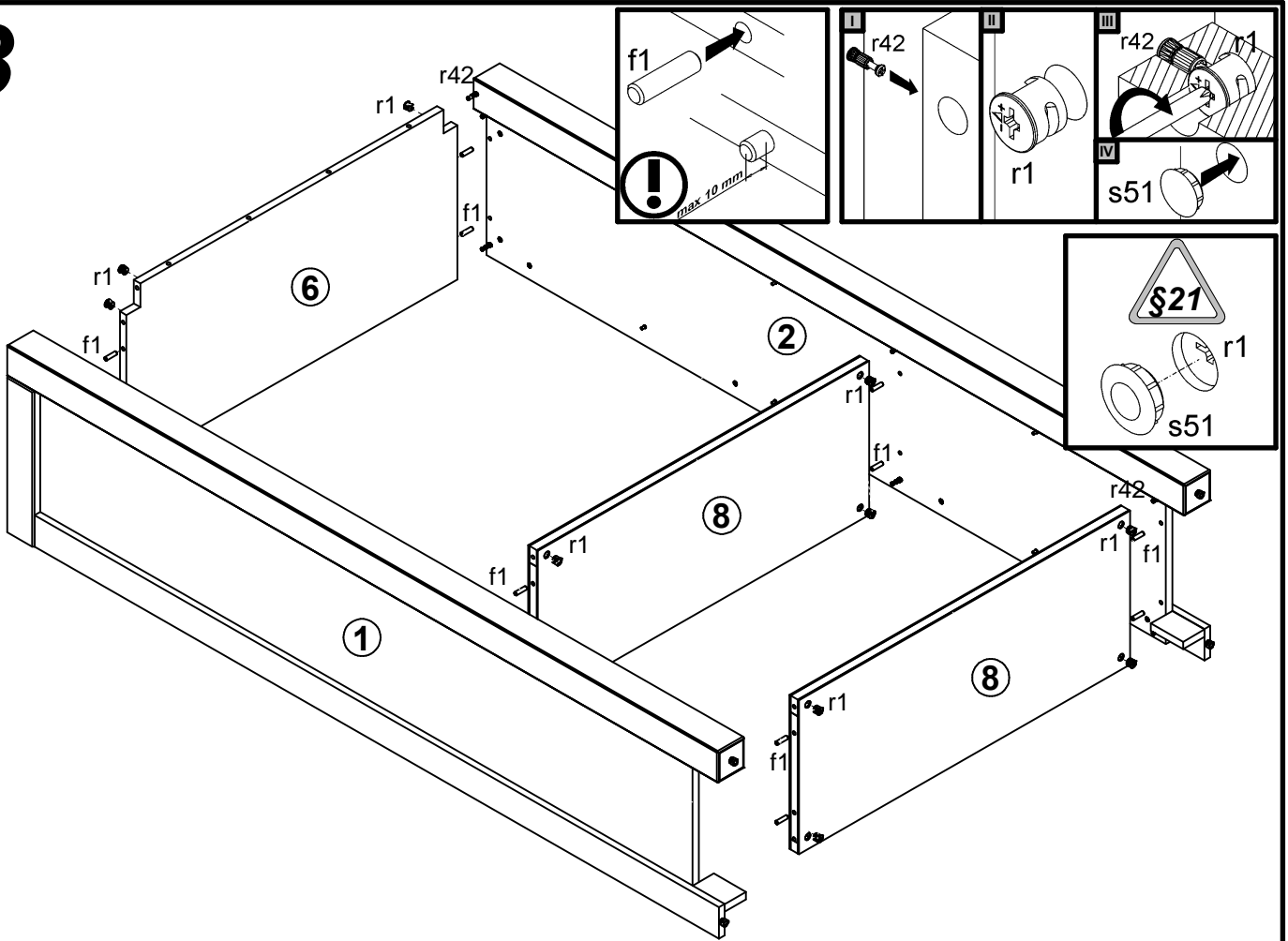
A	B	C	D	
1	S83-140	1900	372	1/3
2	S83-141	1900	372	1/3
3	S83-1575	376	76	3/3
4	S83-1577	1990	76	3/3
5	S83-1578	1990	76	3/3
6	S83-316	926	429	1/3
7	S83-320	925	371	2/3
8	S83-321	926	372	2/3
9	S83-573	1914	76	3/3
10	S83-574	1914	76	3/3
11	S83-575	90	60	3/3
12	S83-584	848	76	3/3
13	S83-901	1890	955	1/3



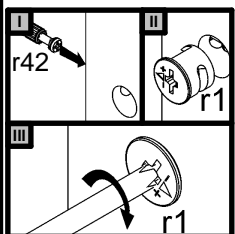
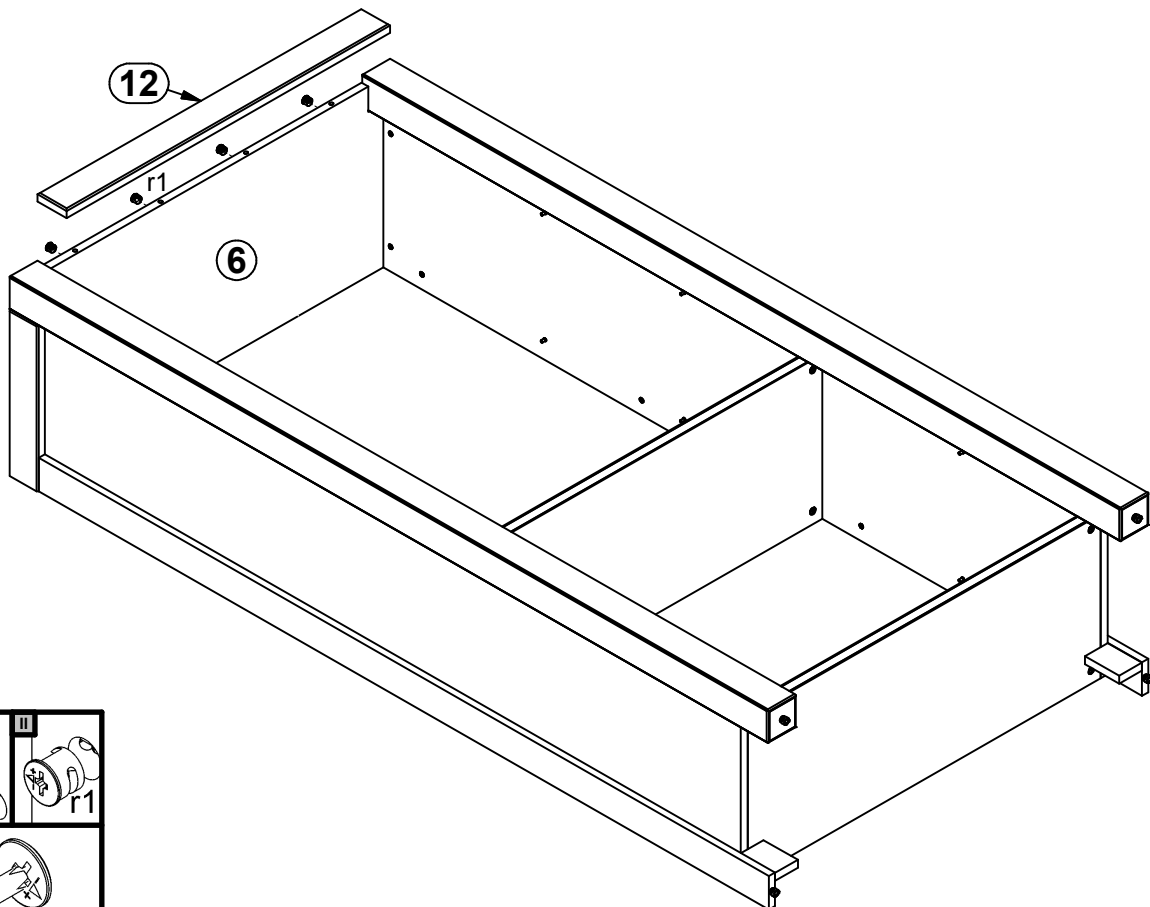
12x  $\phi 5 \times 17$ mm <b>d1</b>	12x  $\phi 7 \times 28$ mm <b>e22</b>	22x  $\phi 8 \times 30$ mm <b>f1</b>	6x  $\phi 8 \times 20$ mm <b>f13</b>	4x  M6 $\phi 9 \times 14$ mm <b>k39/2</b>	4x  M6 $\phi 22$ mm <b>k39/3</b>	70x  <b>l1</b>	28x  $\phi 1.5 \times 12$ mm #16 <b>r1</b>	28x  <b>r42</b>
12x  <b>s1</b>	8x  $\phi 16$ <b>s2</b>	4x  $\phi 15$ <b>s51</b>	1x  <b>z1</b>	1x  <b>n26/1</b>	1x  $\phi 3,5 \times 16$ mm <b>p38</b>			



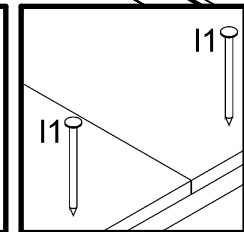
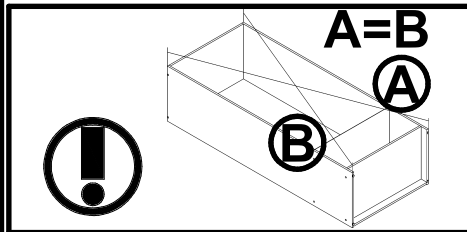
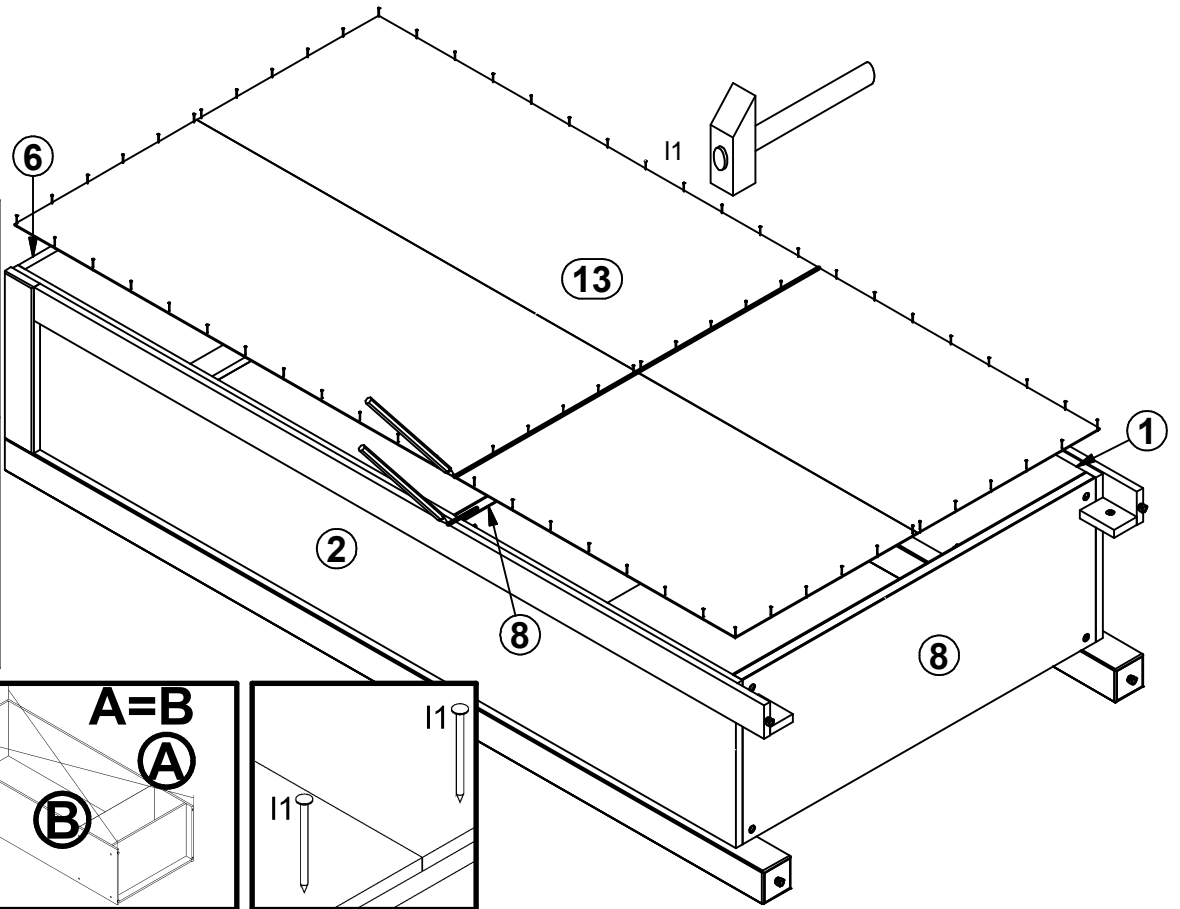
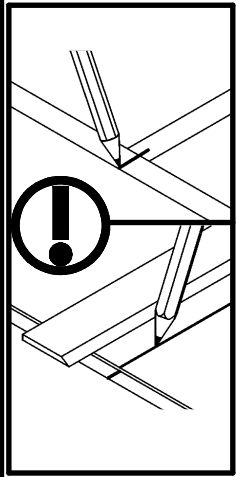
# 3



# 4



# 5



# 6

