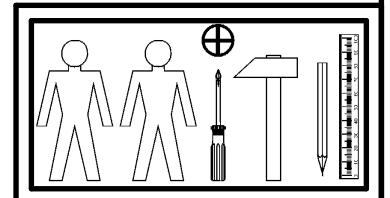
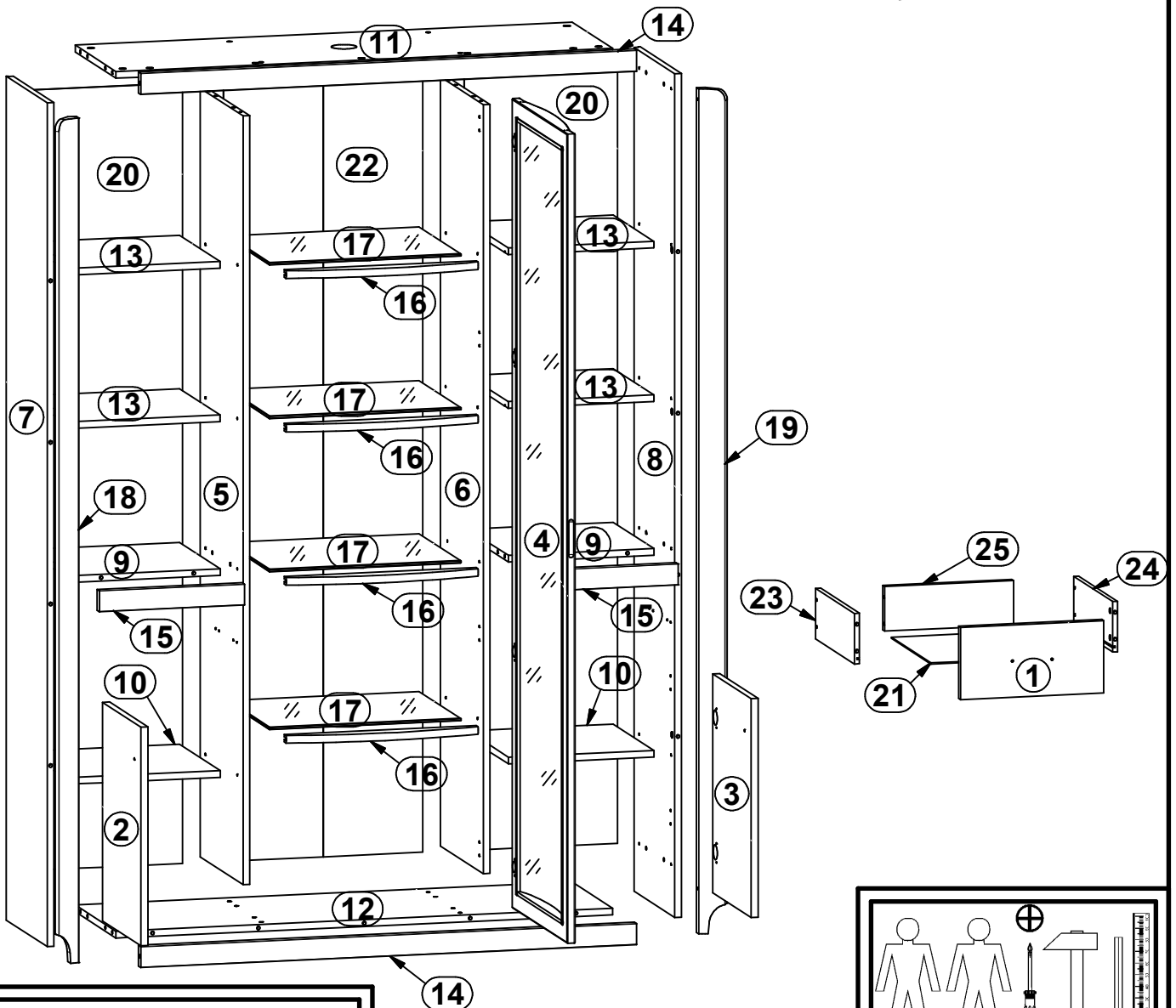
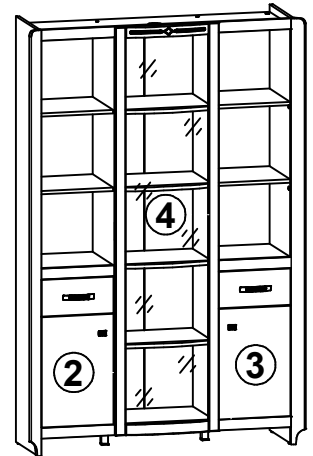


ALEVEL

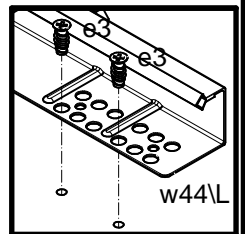
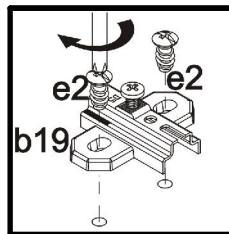
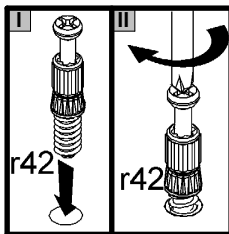
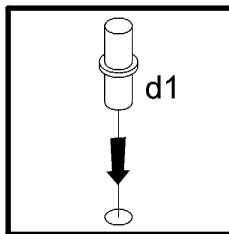
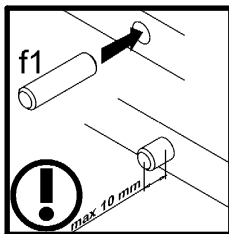
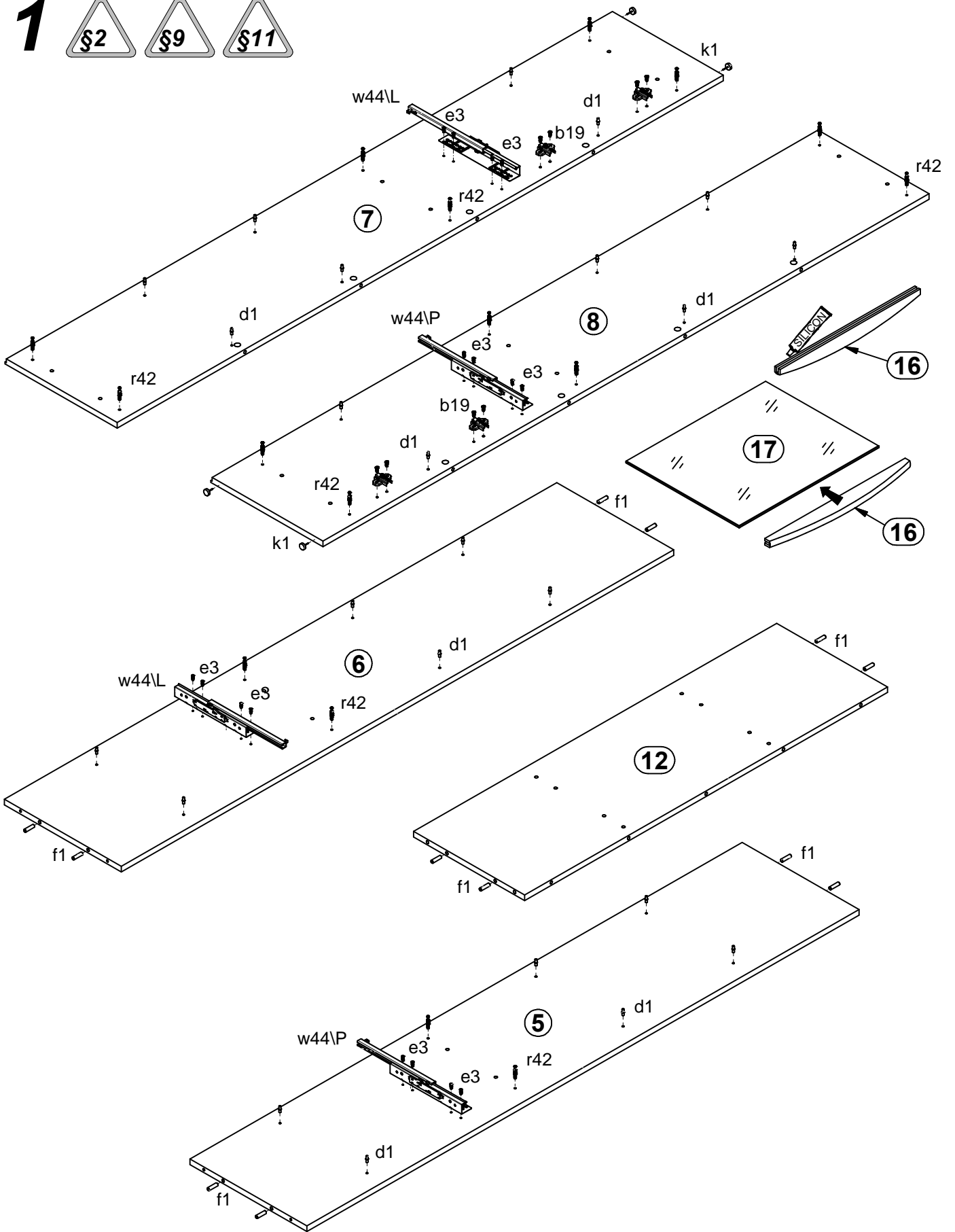
S113-REG1W2D2S

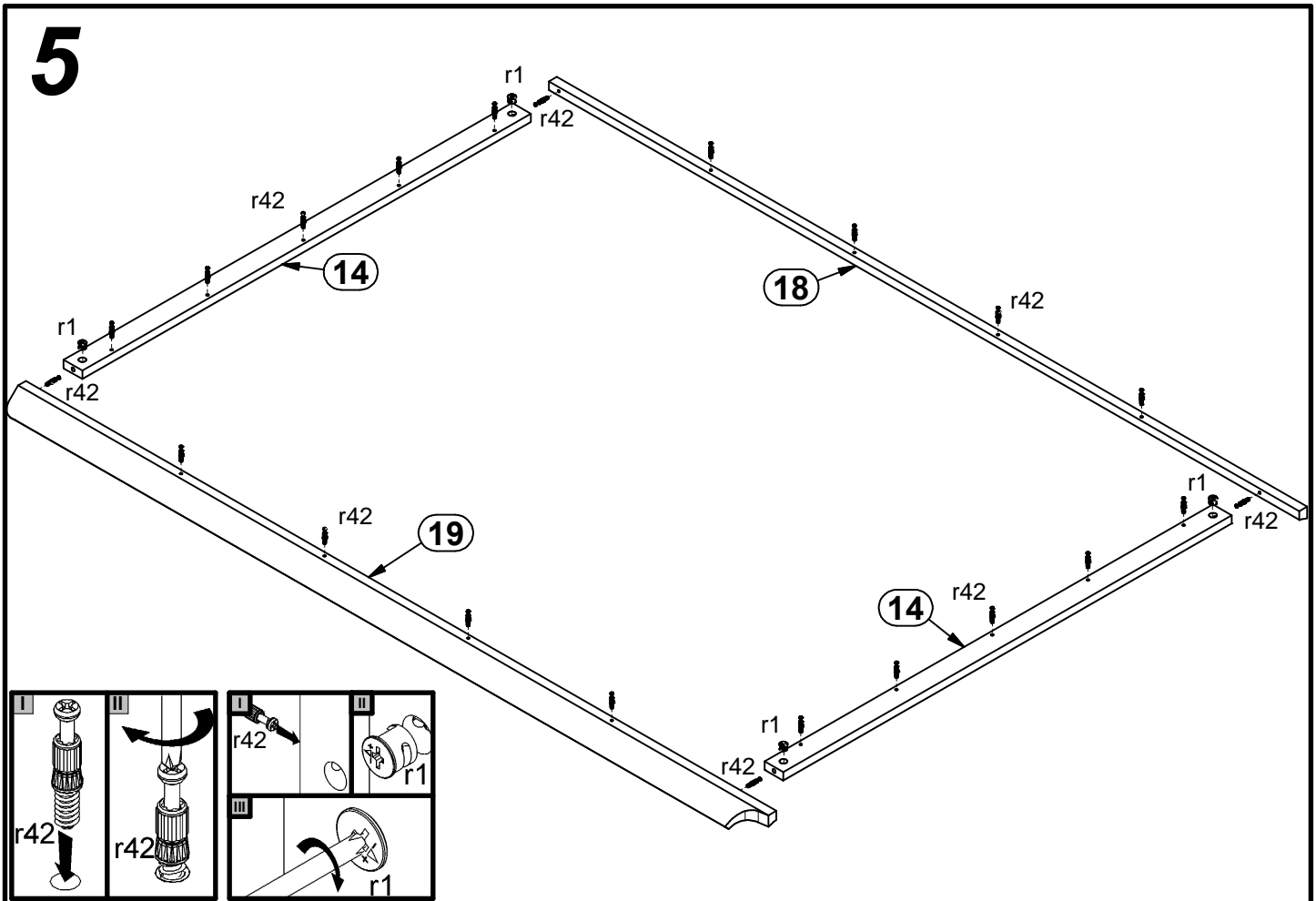
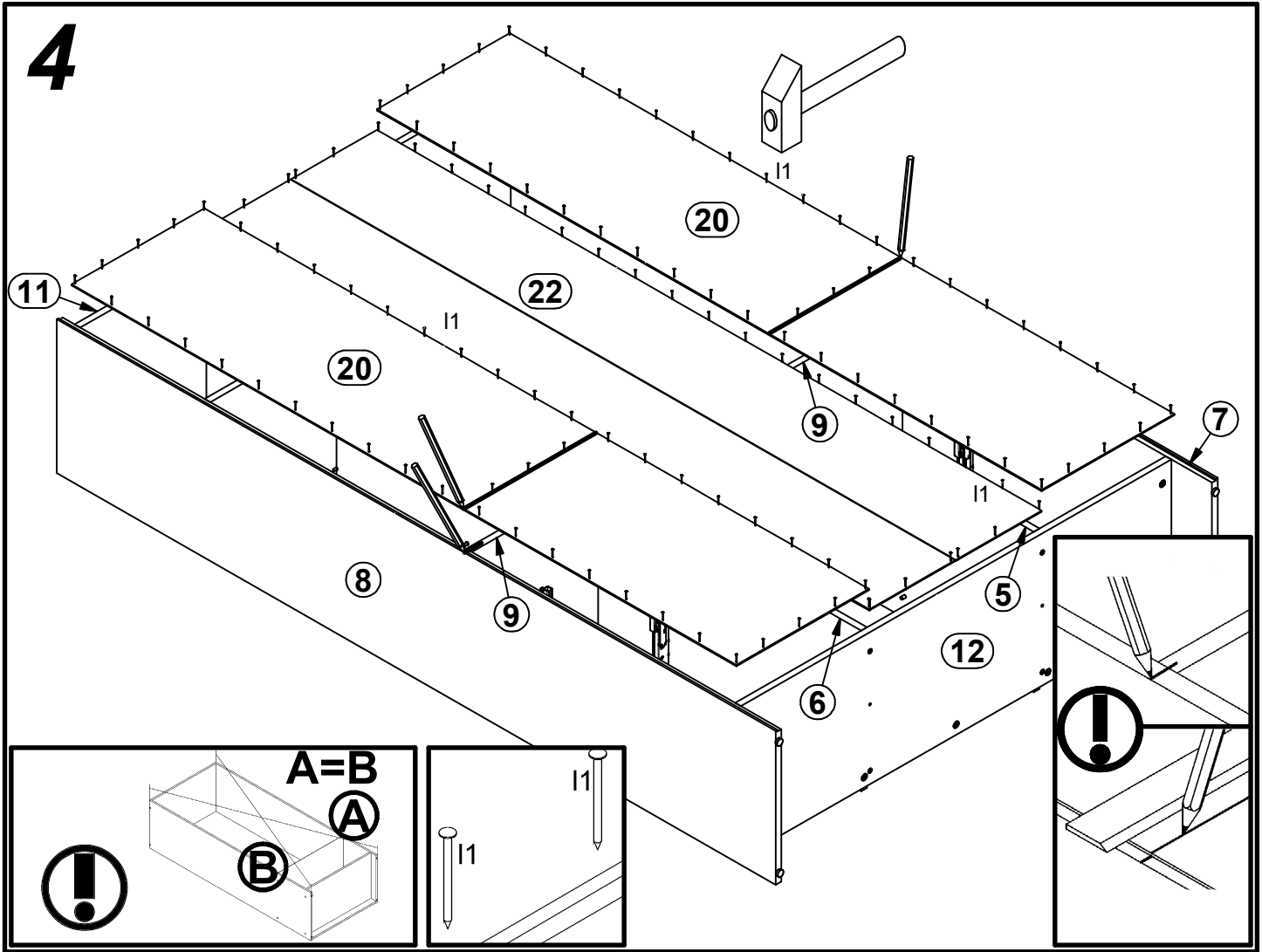
A	B	C	D	A	B	C	D		
1	S113-010	346	172	6/7	14	S113-508	1199	50	2/7
2	S113-011	520	346	6/7	15	S113-509	351	50	2/7
3	S113-016	520	346	6/7	16	S113-521	464	45	2/7
4	S113-019	1923	496	7/7	17	S113-554	463	375	4/7
5	S113-118	1827	387	1/7	18	S113-576	2007	75	3/7
6	S113-119	1827	387	1/7	19	S113-577	2007	75	3/7
7	S113-126	2005	371	1/7	20	S113-913	1854	370	1/7
8	S113-127	2005	371	1/7	21	S113-915	323	357	2/7
9	S113-316	352	367	2/7	22	S113-916	1854	481	1/7
10	S113-317	352	367	2/7	23	ZQ1-501	350	120	2/7
11	S113-318	1201	367	2/7	24	ZQ1-502	350	120	2/7
12	S113-321	1201	367	2/7	25	ZQ1-519	312	106	2/7
13	S113-328	352	367	2/7					



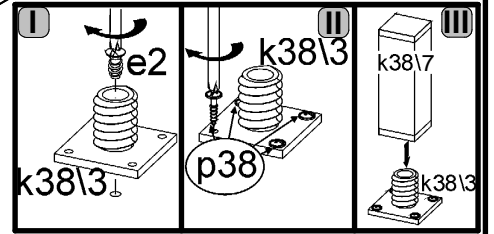
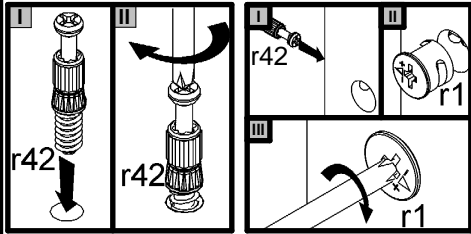
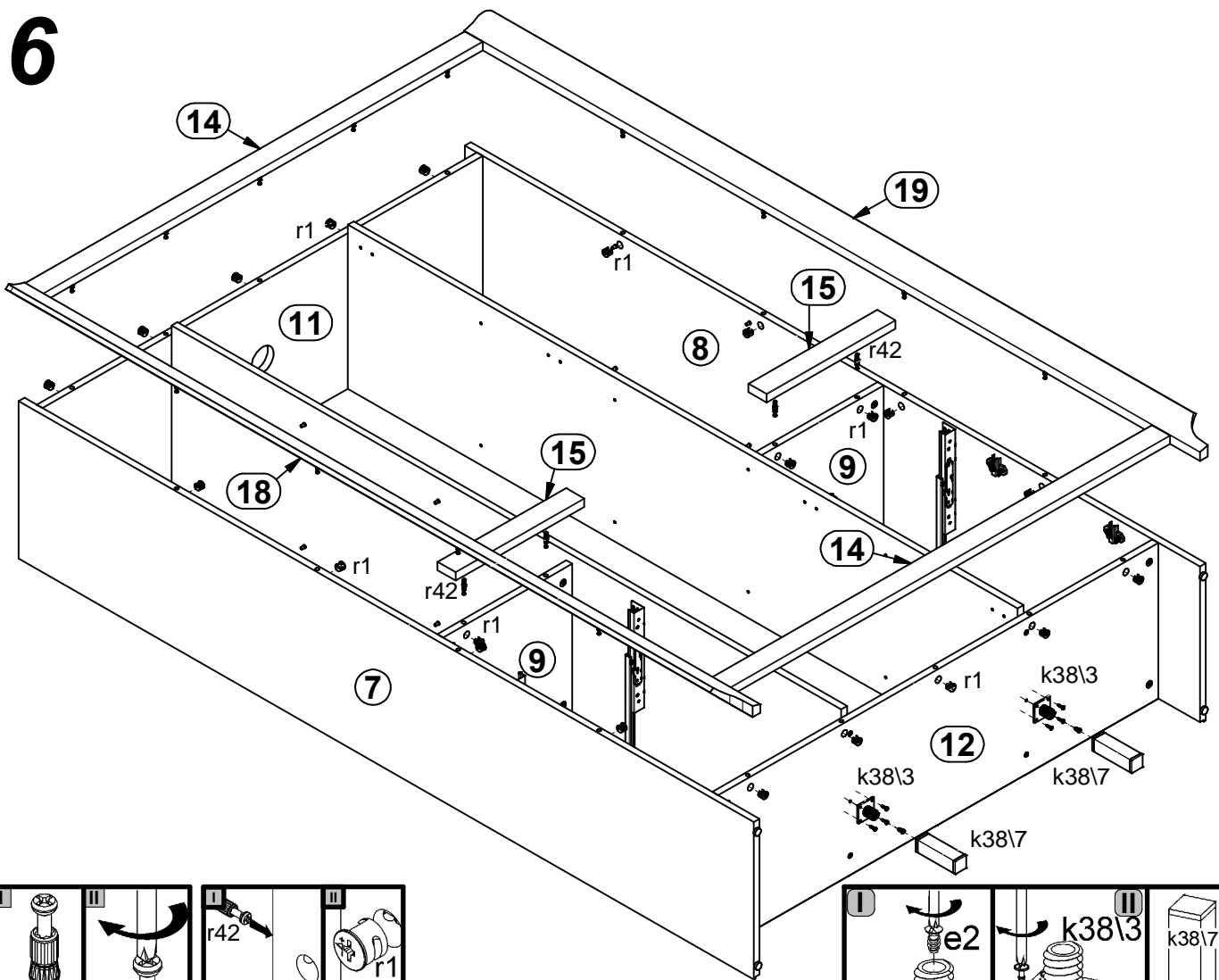
4x a2	4x a3	4x b1	4x b19	2x c305/1	2x c305/2	24x d1 φ5x17 mm	16x d3 φ5x17 mm	8x e1 φ7x50 mm	10x e2 φ6,3x13 mm	16x e3 φ6x13 mm	24x f1 φ8x30 mm						
8x f25 φ6,5x40 mm	2x k38/3	2x k38/7	6x j30 M4x22 mm	4x k1	150x l1	14x p38 φ3,5x16 mm	8x p51 φ3,5x15 mm	42x r1 φ1,5x12mm #16	8x r15 φ12x10,5mm #12	50x r42	2x w44/L 350 mm	2x w44/P 350 mm	8x s2 ø16	1x y2 SILIKON	1x z1	1x n26/1	1x p38 φ3,5x16 mm

1

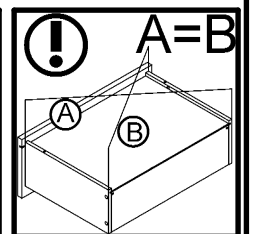
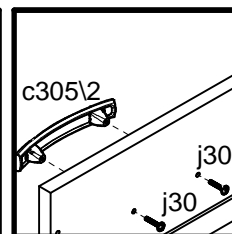
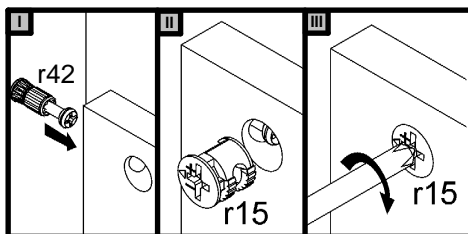
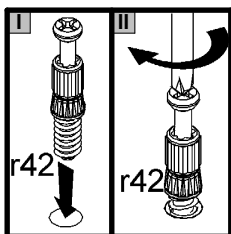
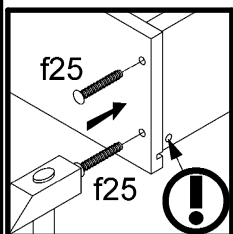
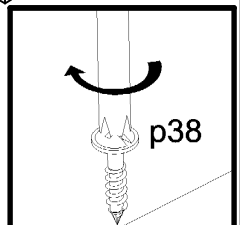
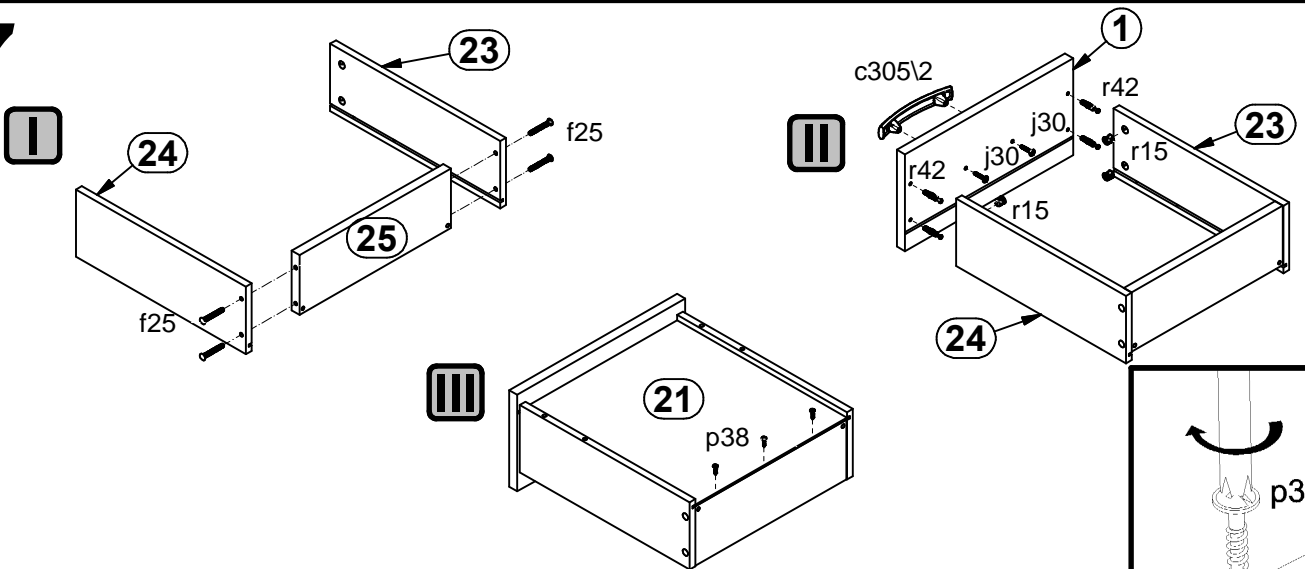




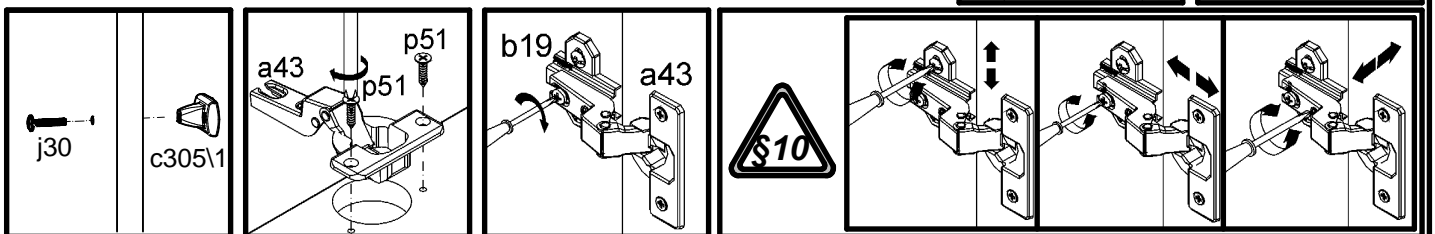
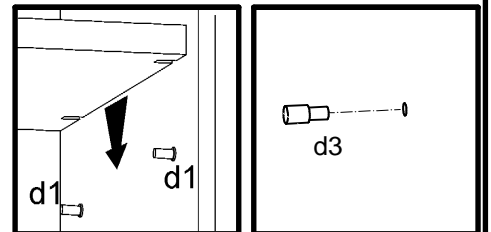
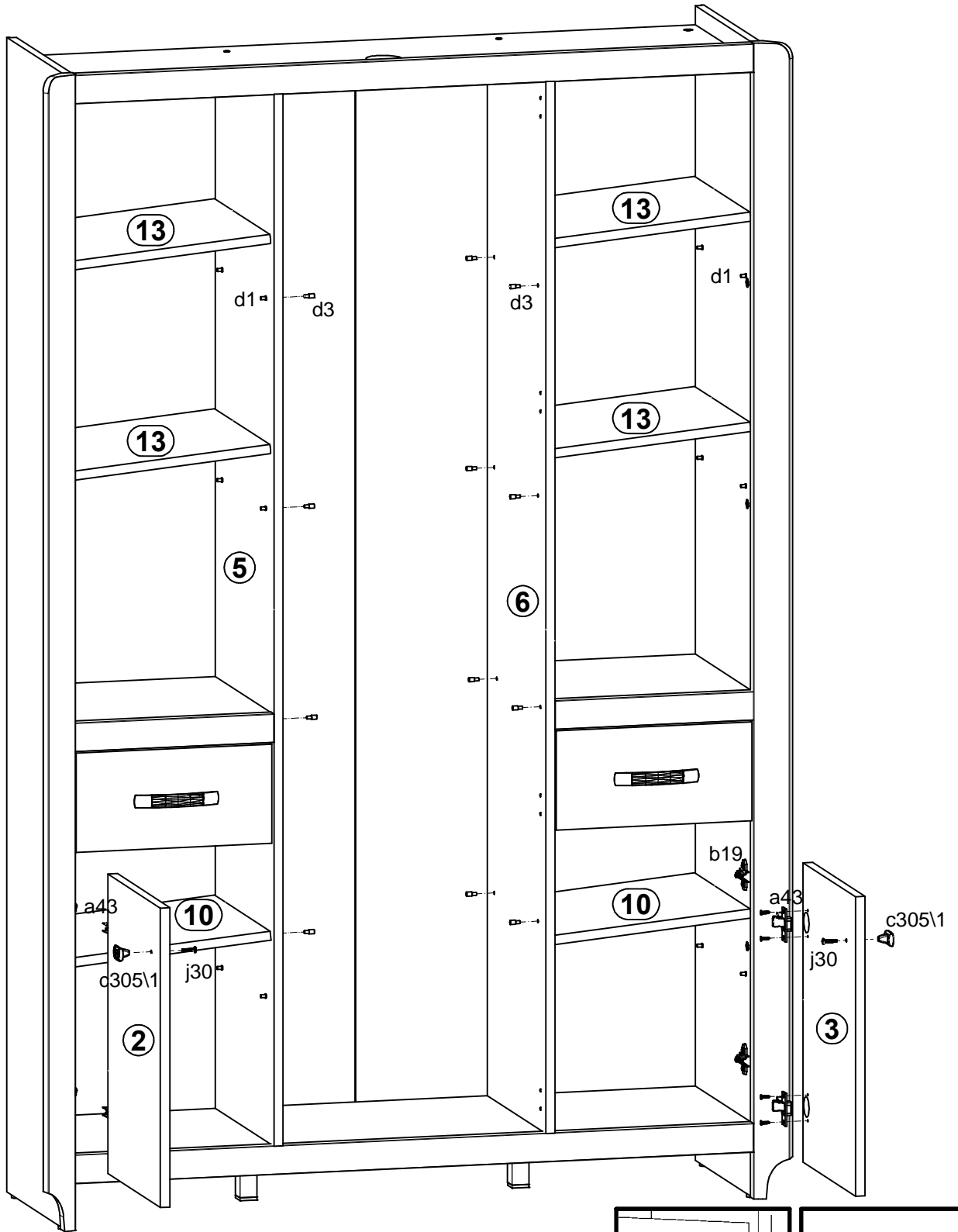
6



7



8



9 §11

