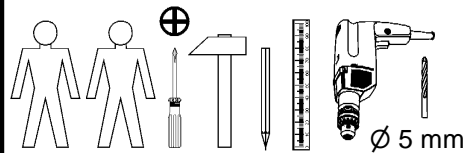
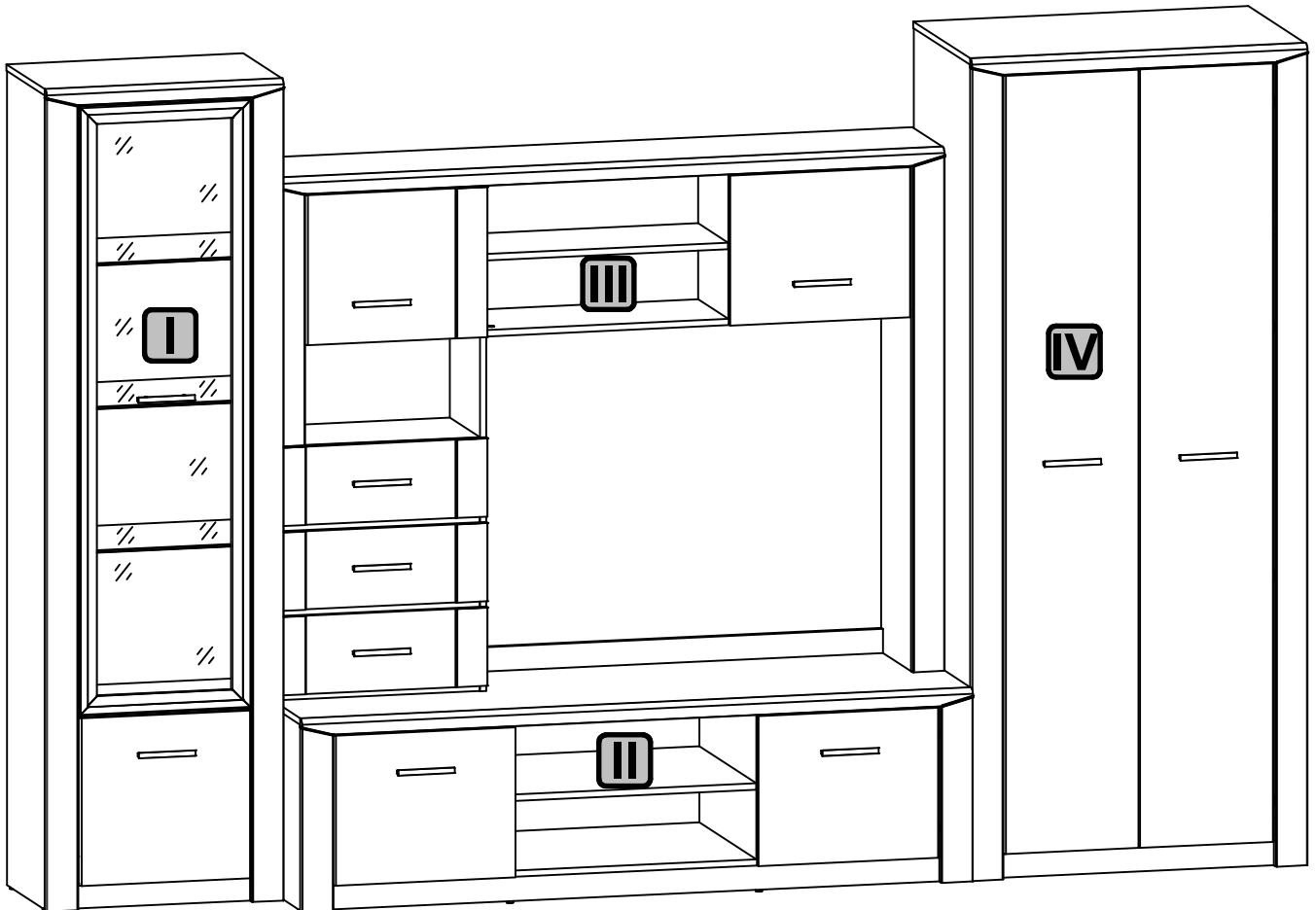


M113-AKONA

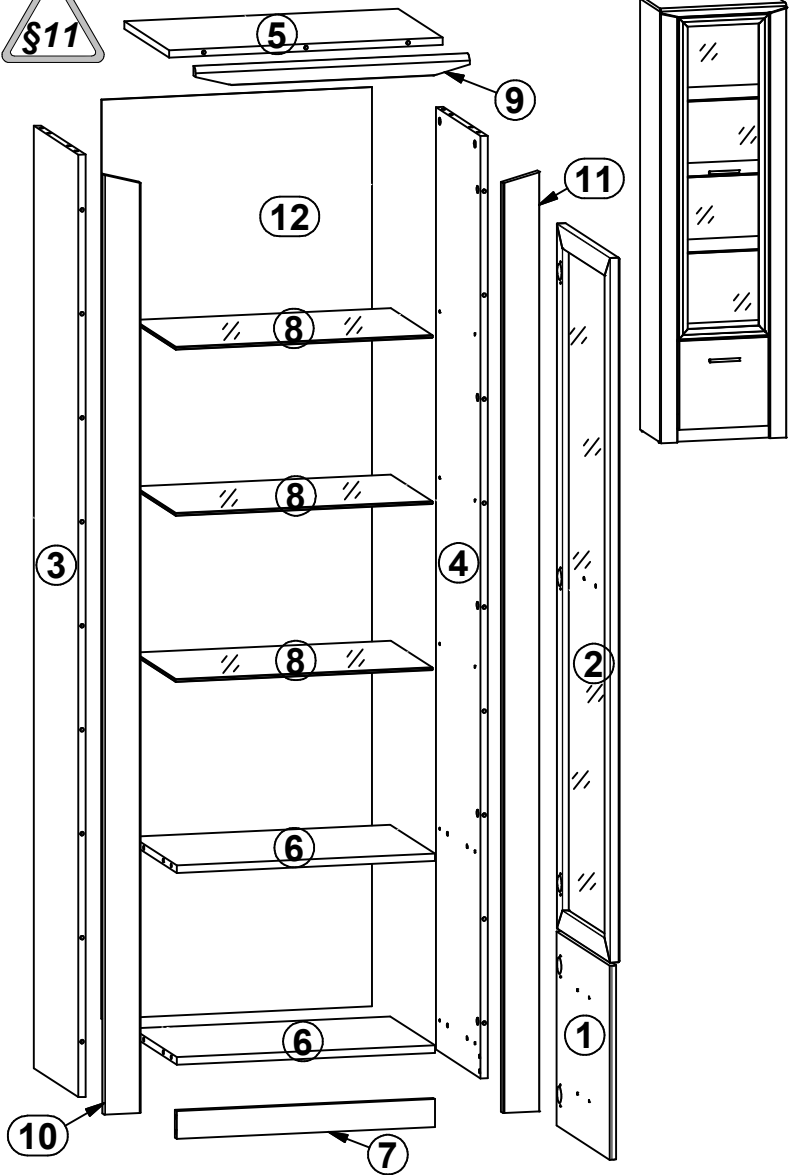


2x K16 a43	19x a99	2x b19	19x b43	11x c335	8x φ8x17 mm d1	12x φ8x17 mm d3	8x φ7x50 mm e1	42x φ6,3x13 mm e2
12x φ6x13 mm e3	12x φ5x9 mm e19	120x φ8x30 mm f1	12x φ6,5x40 mm f25	12x M4x12 mm j45/1	6x j45/2	16x k1	280x l1	16x 1,0x12 mm l16
4x l53/1	4x l53/2	2x n1	3x φ2x12/1mm n52	1x 40x45x151,5mm n120	2x silikon o21	2x φ6,5/φ10x5,2mm o27	2x φ3,5x13 mm p1	9x φ3,5x16 mm p25
2x φ3,5x13 mm p27	18x φ3,5x16 mm p38	42x φ3,5x15 mm p51	2x φ4x12 mm p59	20x φ4x22 mm p60	123x φ1,5x12mm #16 r1	12x φ12x10,5mm #12 r15	135x r42	3x 250 mm w17/CL
3x 250 mm w17/CR	3x 250 mm w17/DL	3x 250 mm w17/DR	80x ø16 s2	1x z1	2x n26/1	2x φ3,5x16 mm p38		

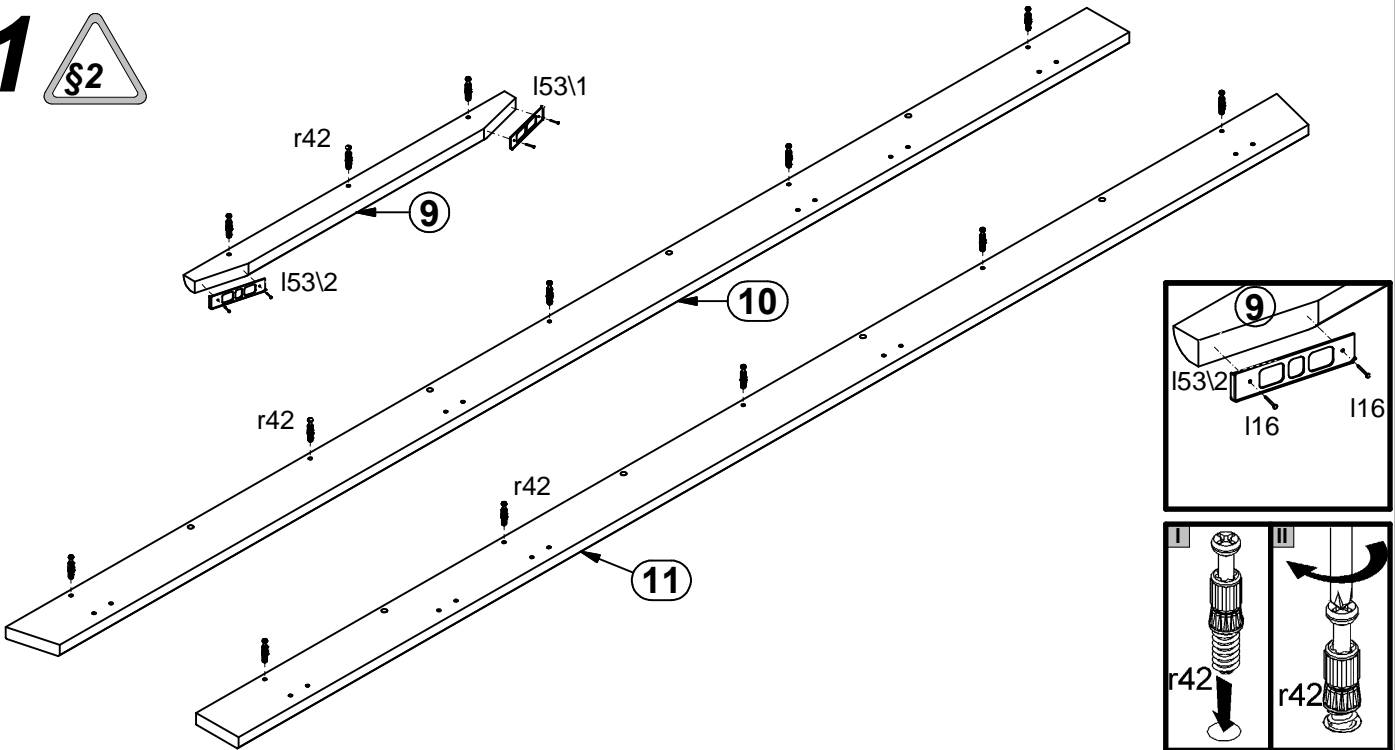
I

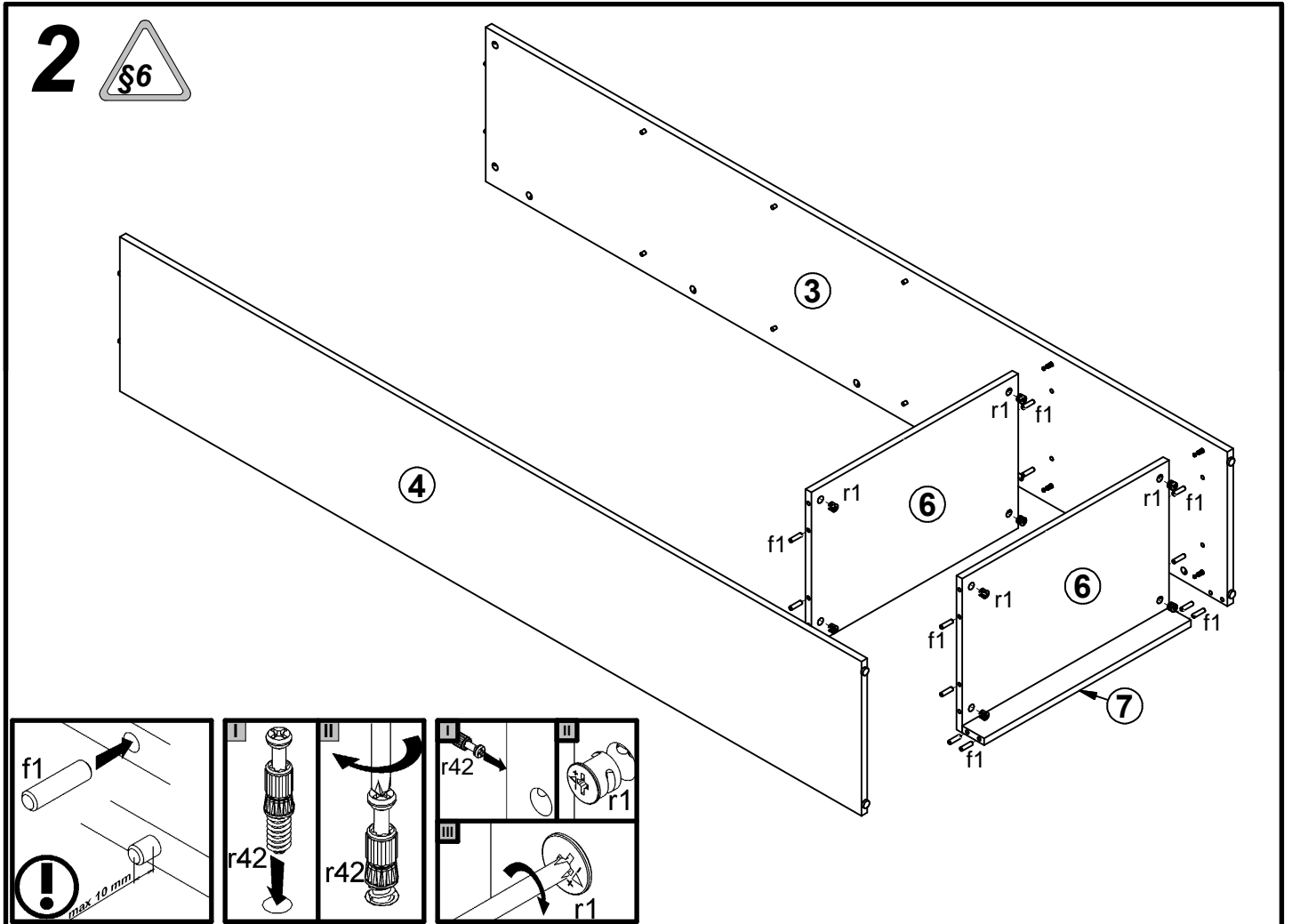
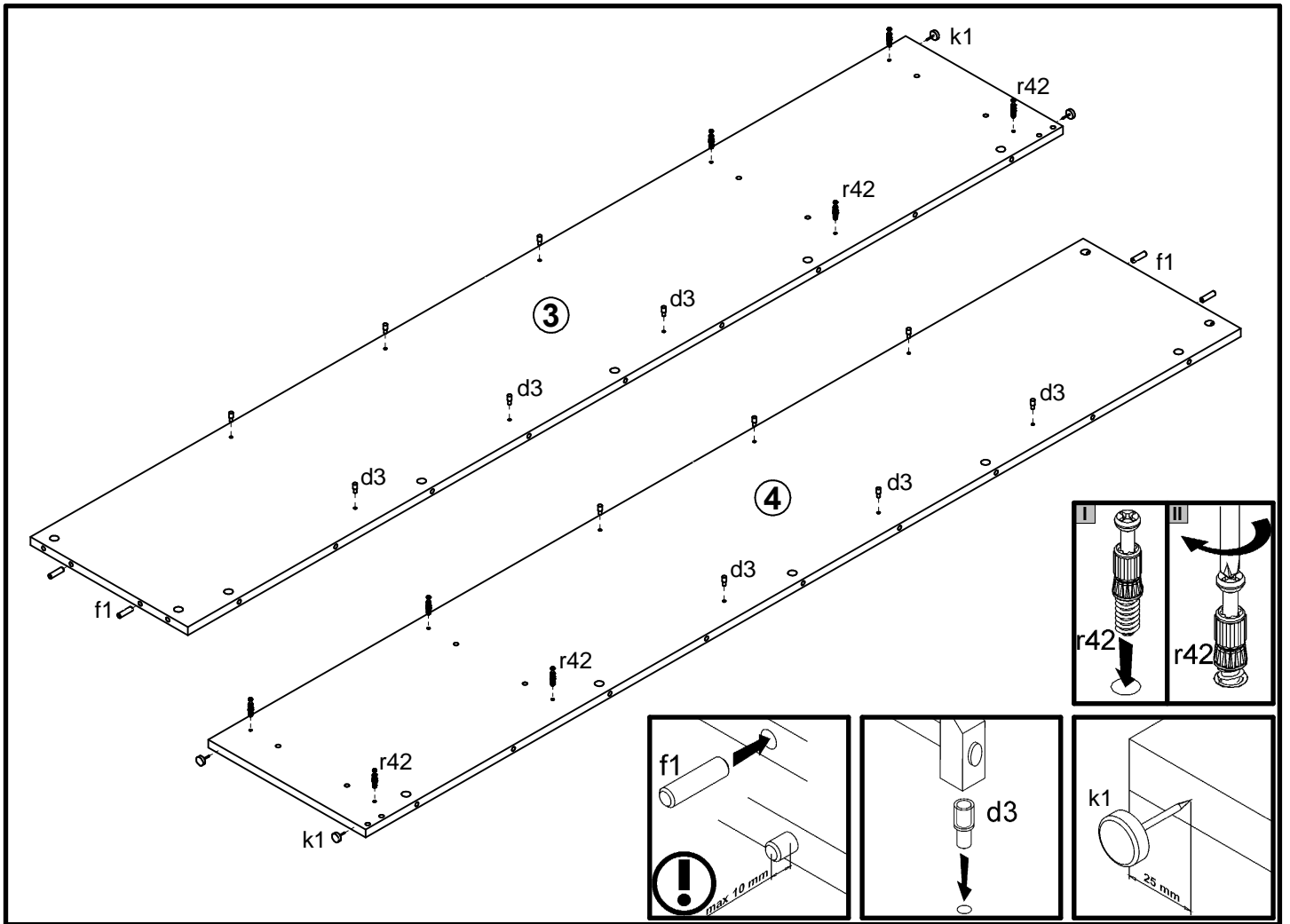
M113-REG1D1W

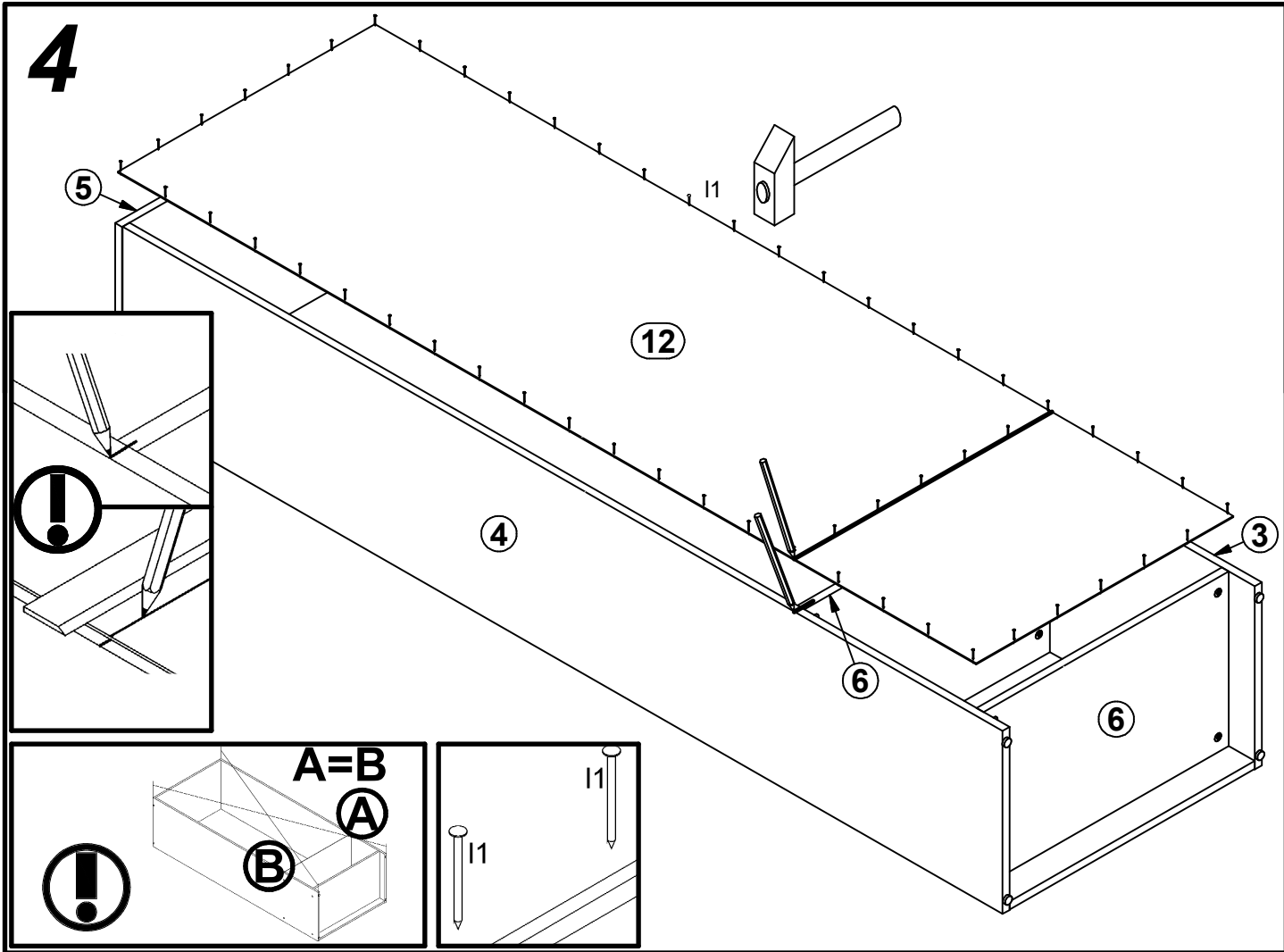
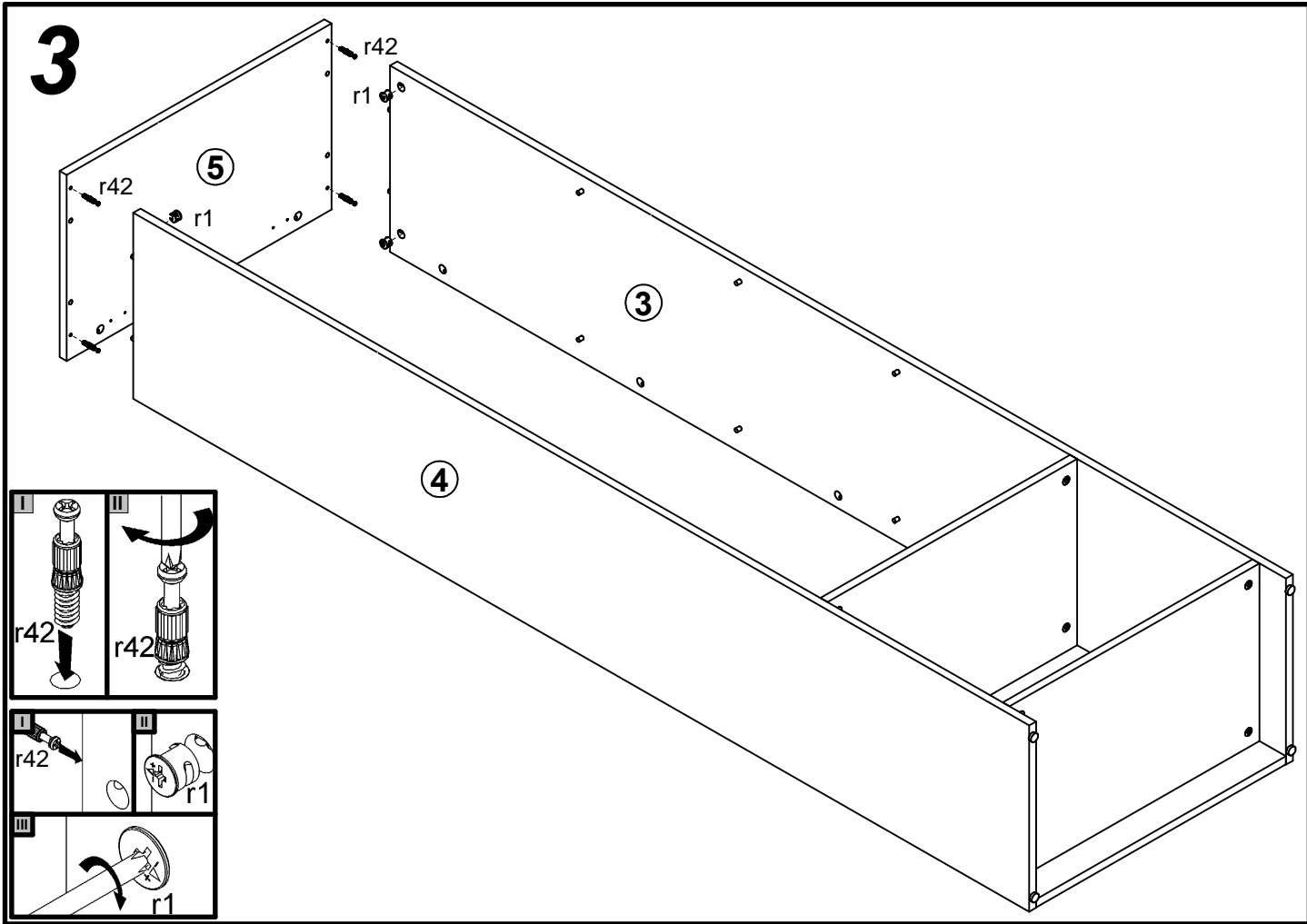
A	B	C	D	
1	M113-002	436	418	9/10
2	M113-003	1518	436	10/10
3	M113-103	2030	365	2/10
4	M113-104	2030	365	2/10
5	M113-202	600	365	2/10
6	M113-302	566	365	2/10
7	M113-402	566	60	2/10
8	M113-501	564	340	4/10
9	M113-574	601	42	5/10
10	M113-580	2024	80	5/10
11	M113-581	2024	80	5/10
12	M113-902	1980	593	6/10



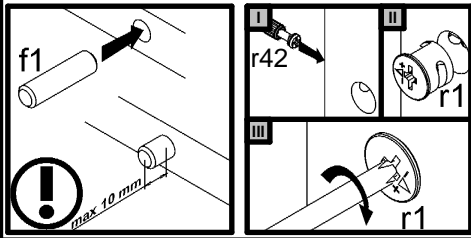
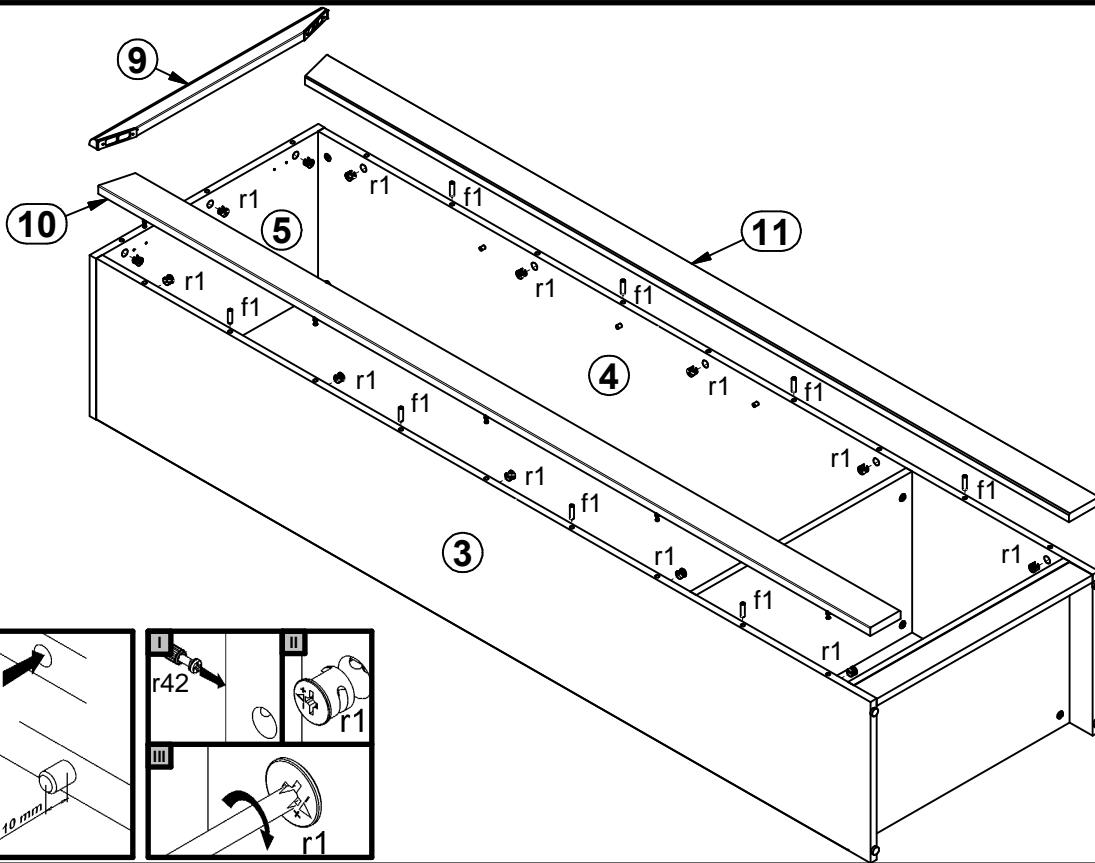
1



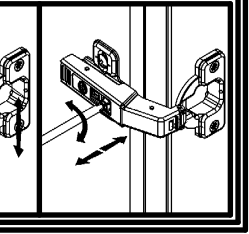
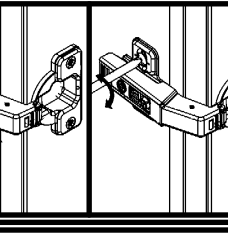
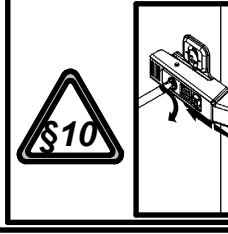
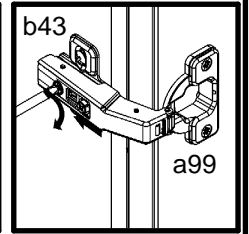
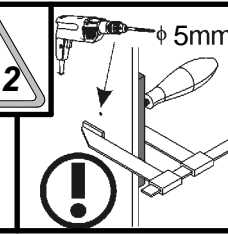
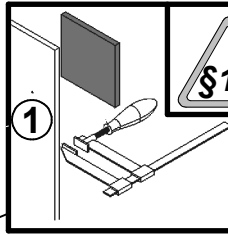
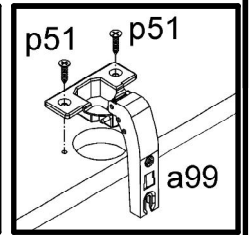
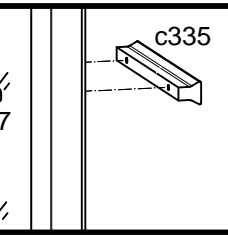
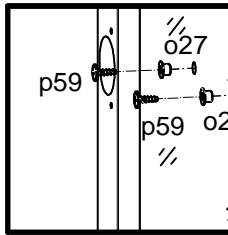
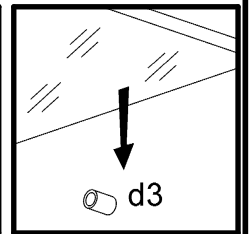
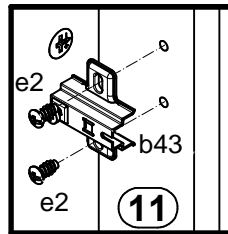
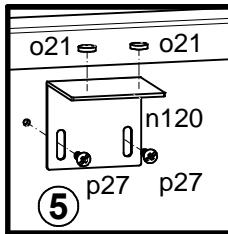
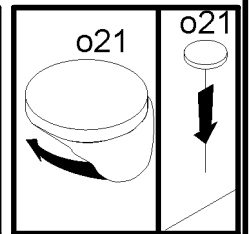
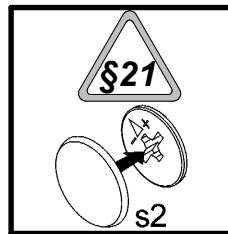
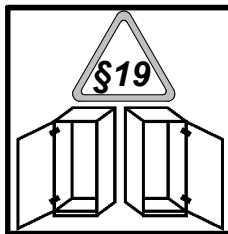
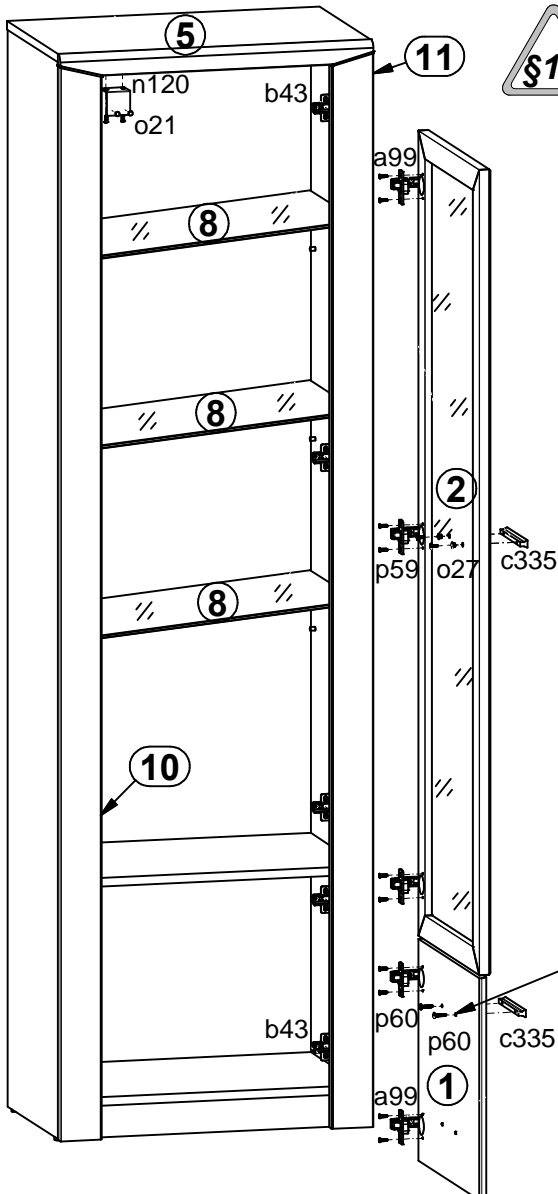




5



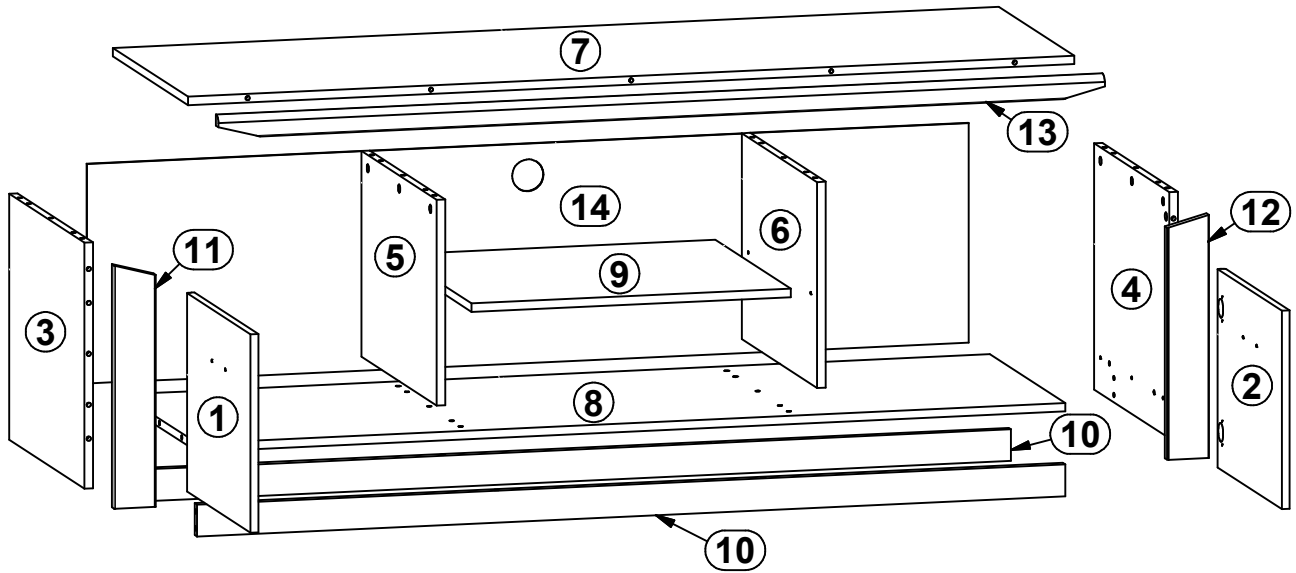
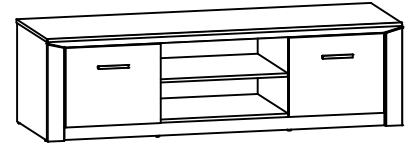
6



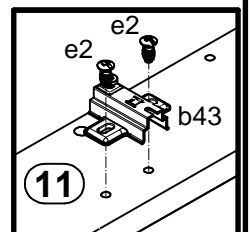
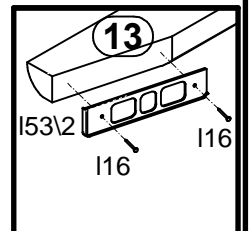
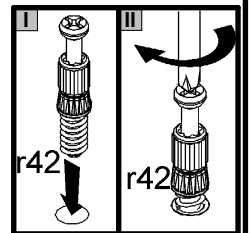
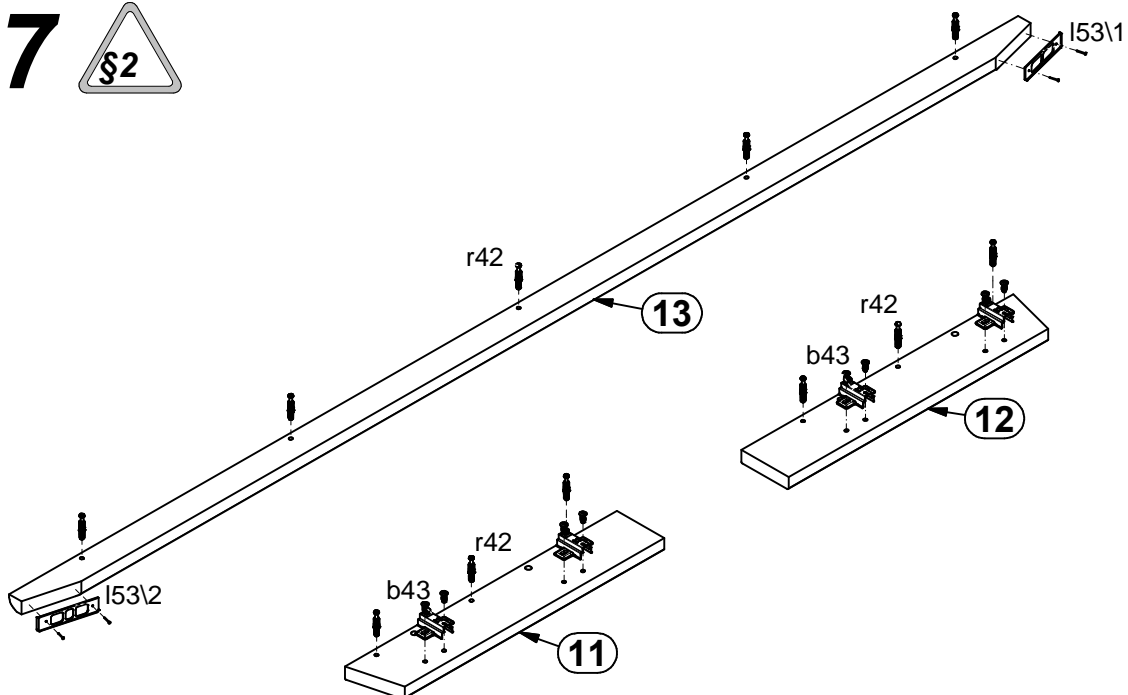


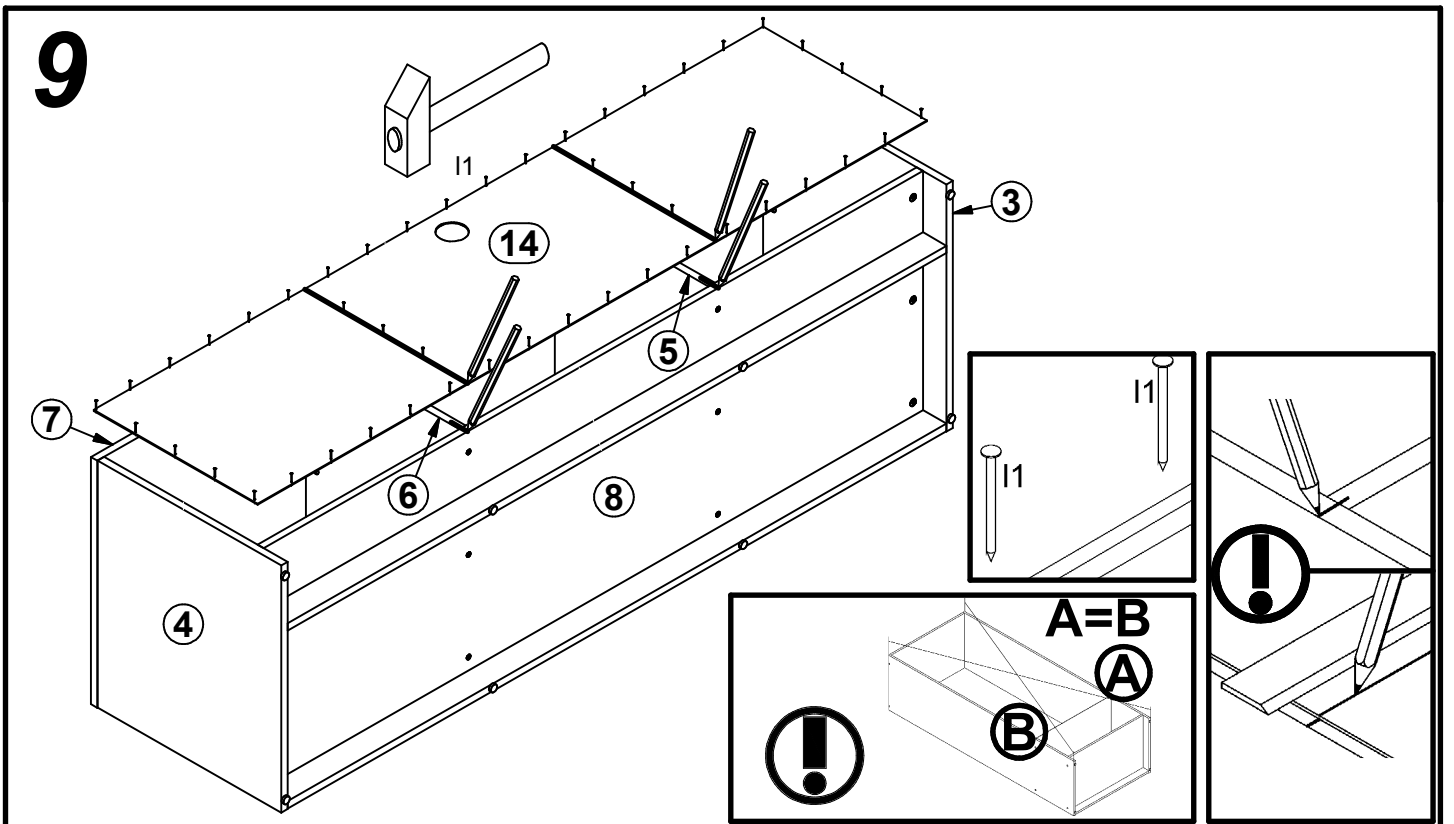
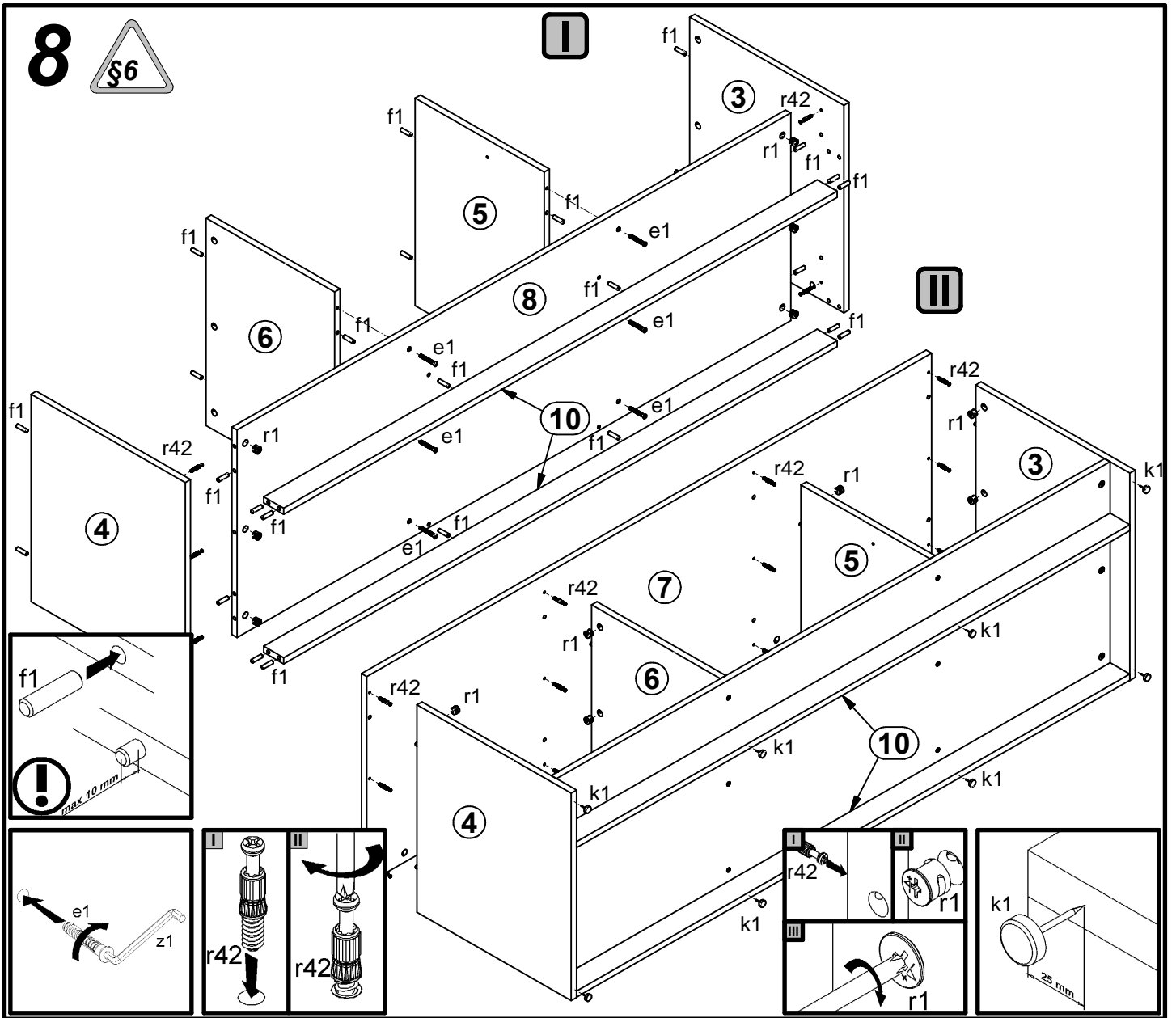
M113-RTV2D

A	B	C	D	
1	M113-004	460	374	8/10
2	M113-005	460	374	8/10
3	M113-105	464	540	3/10
4	M113-106	464	540	3/10
5	M113-107	388	540	3/10
6	M113-108	388	540	3/10
7	M113-203	1700	540	1/10
8	M113-303	1666	540	1/10
9	M113-304	613	540	3/10
10	M113-403	1666	60	2/10
11	M113-576	458	80	5/10
12	M113-577	458	80	5/10
13	M113-578	1701	42	5/10
14	M113-903	414	1692	6/10

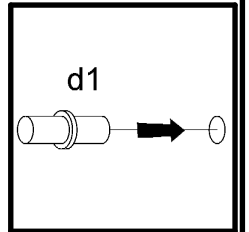
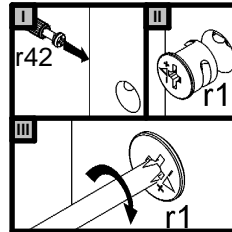
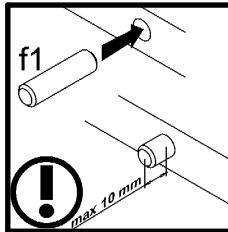
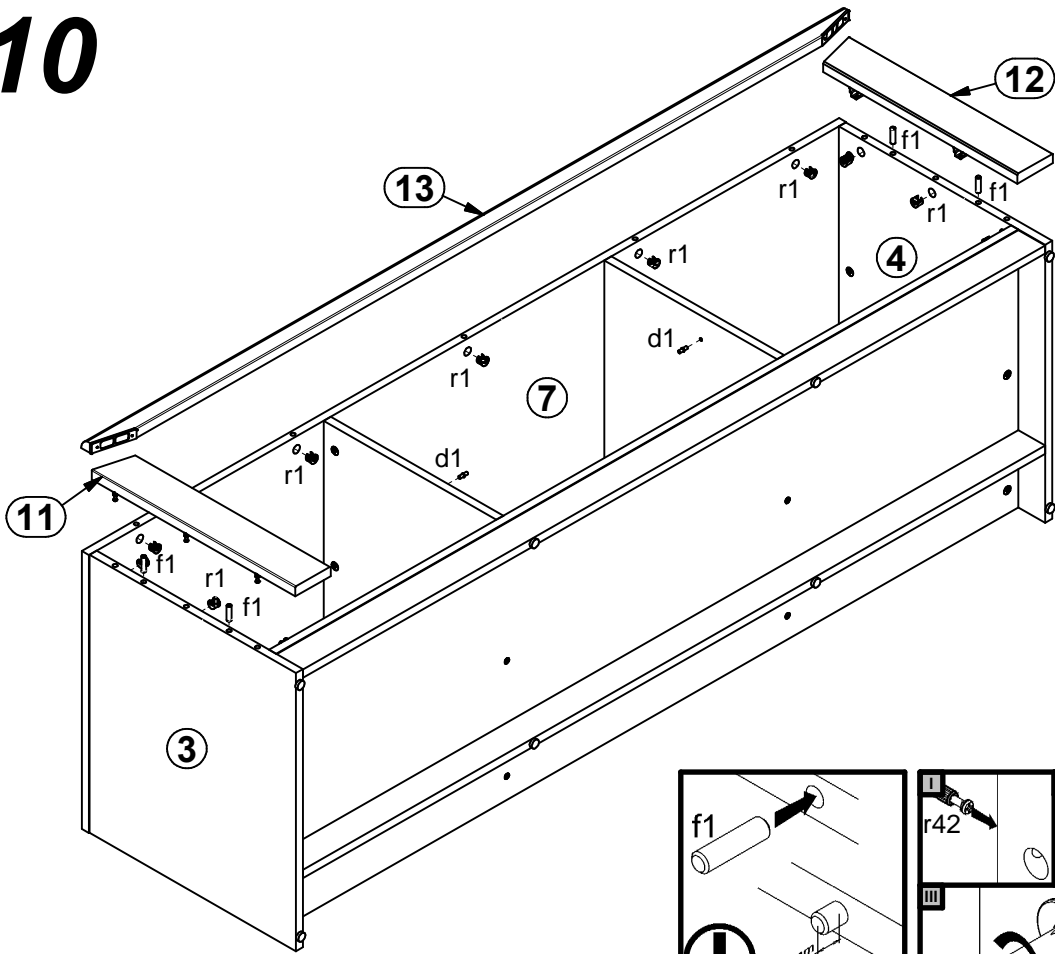


7

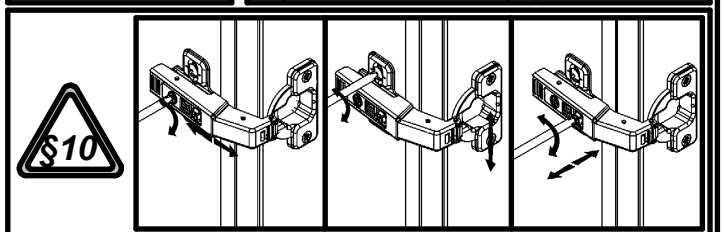
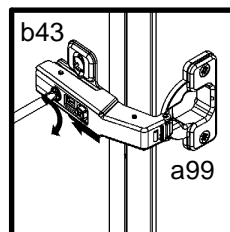
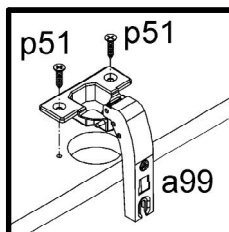
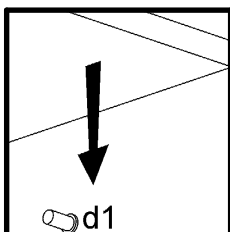
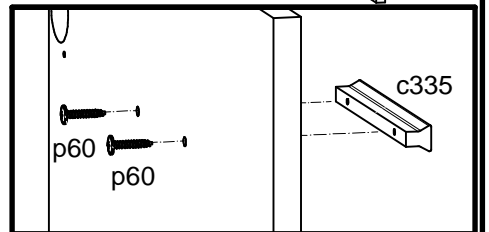
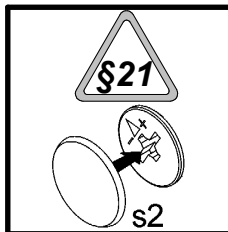
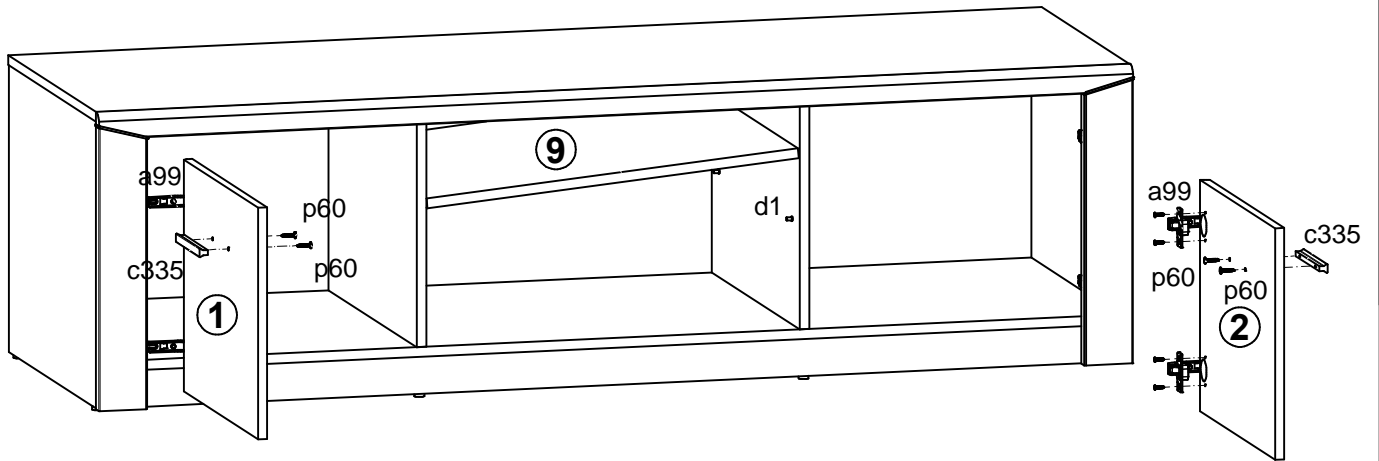




10



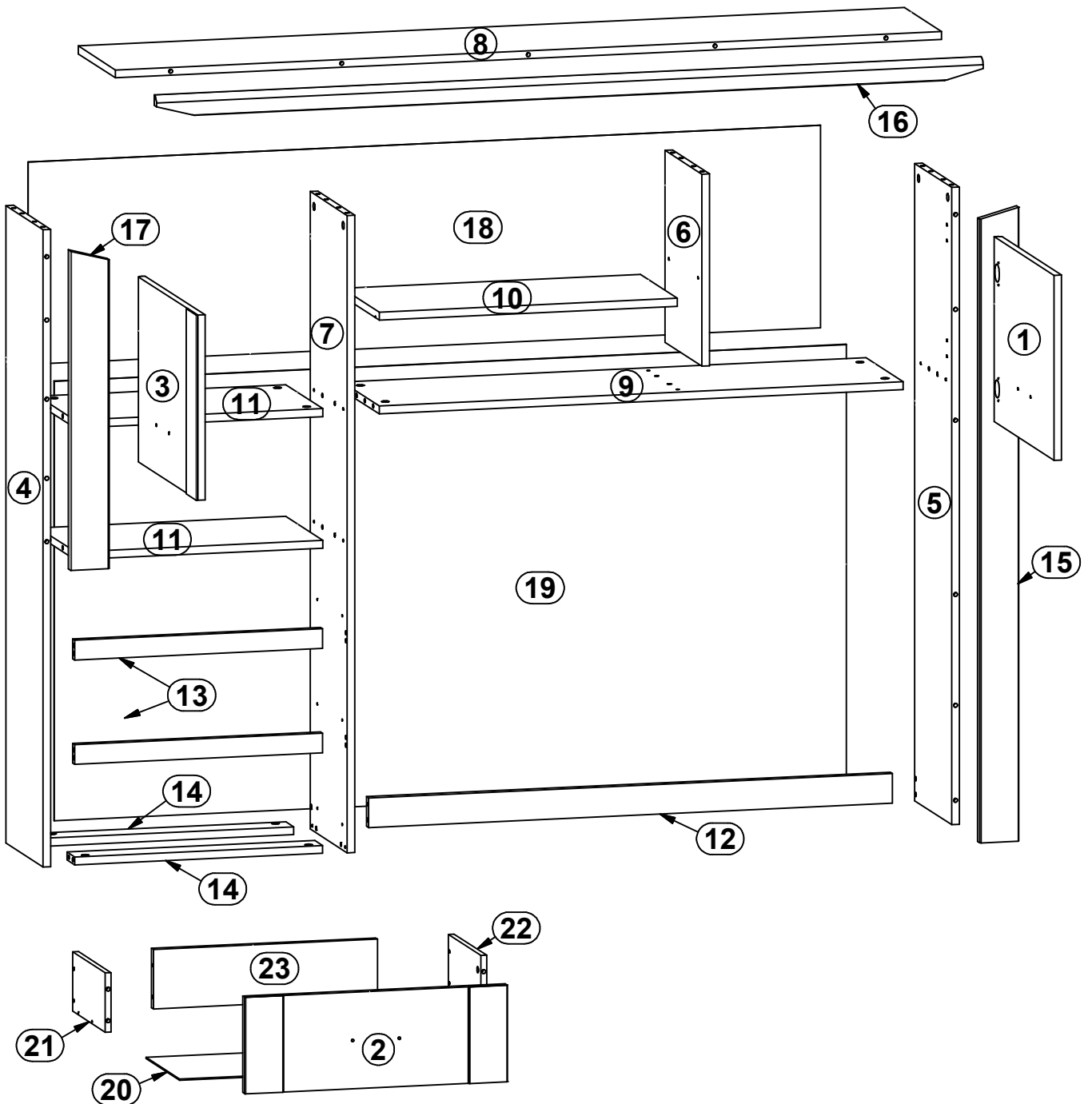
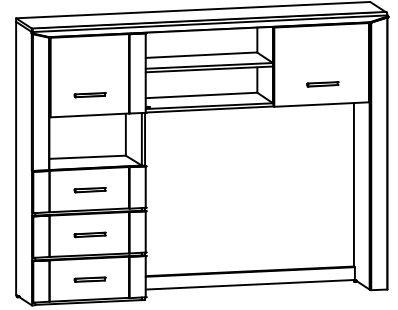
11



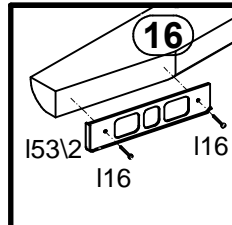
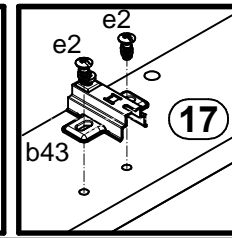
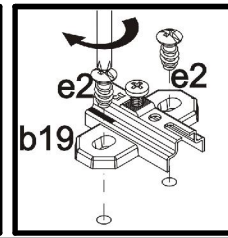
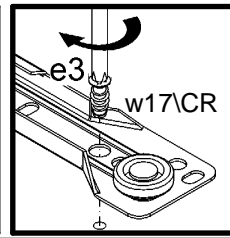
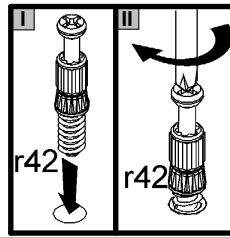
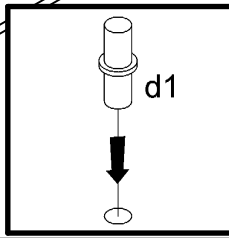
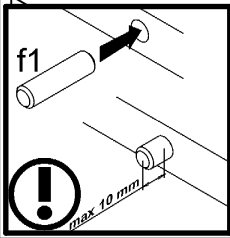
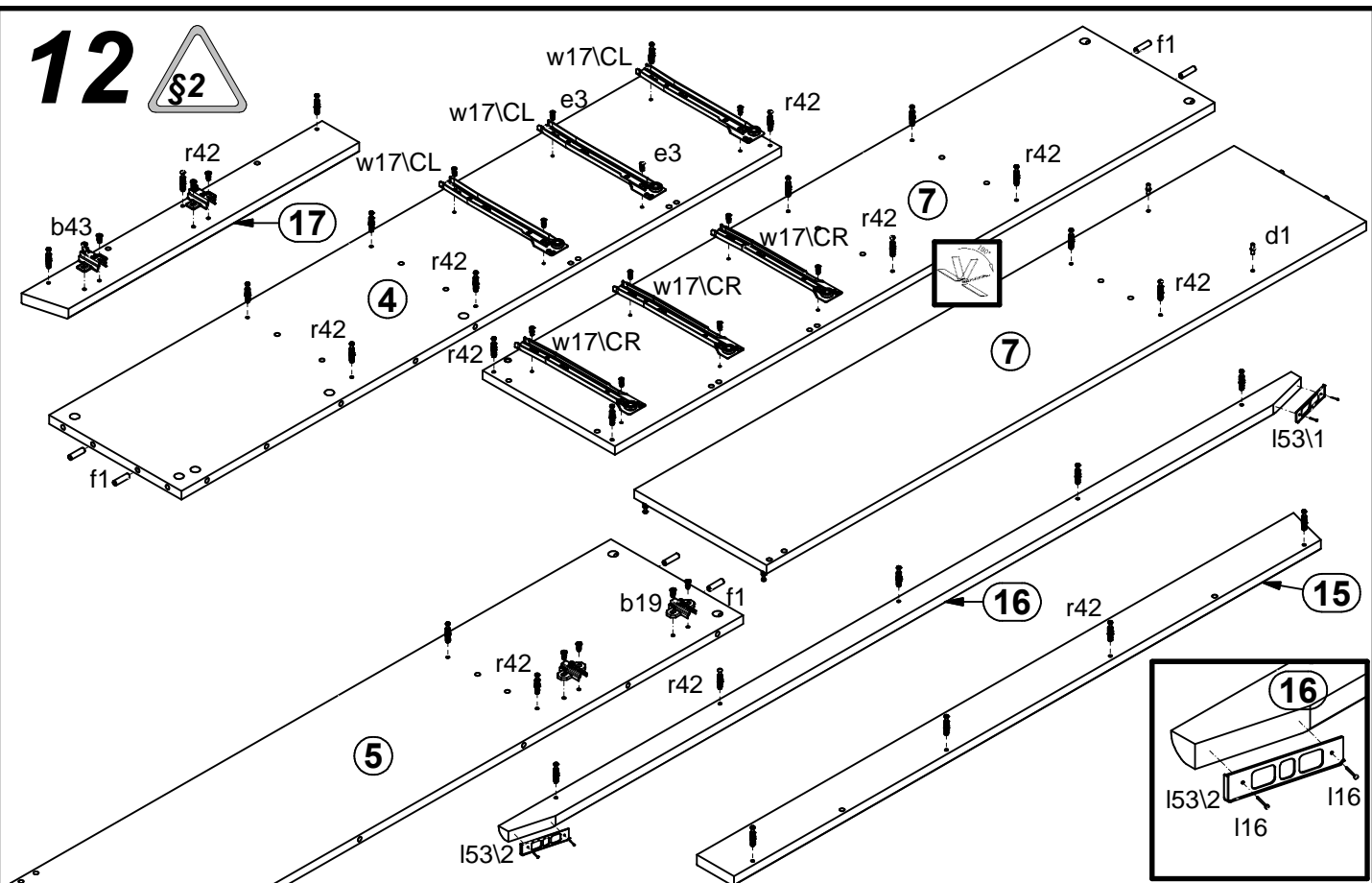


M113-NAD2D

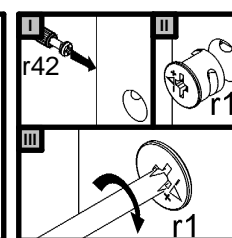
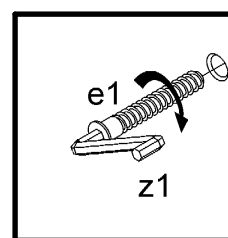
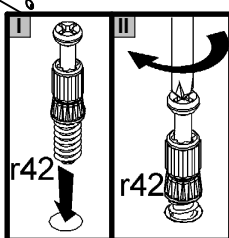
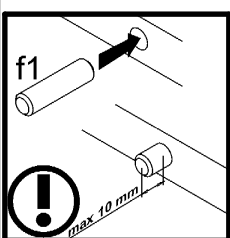
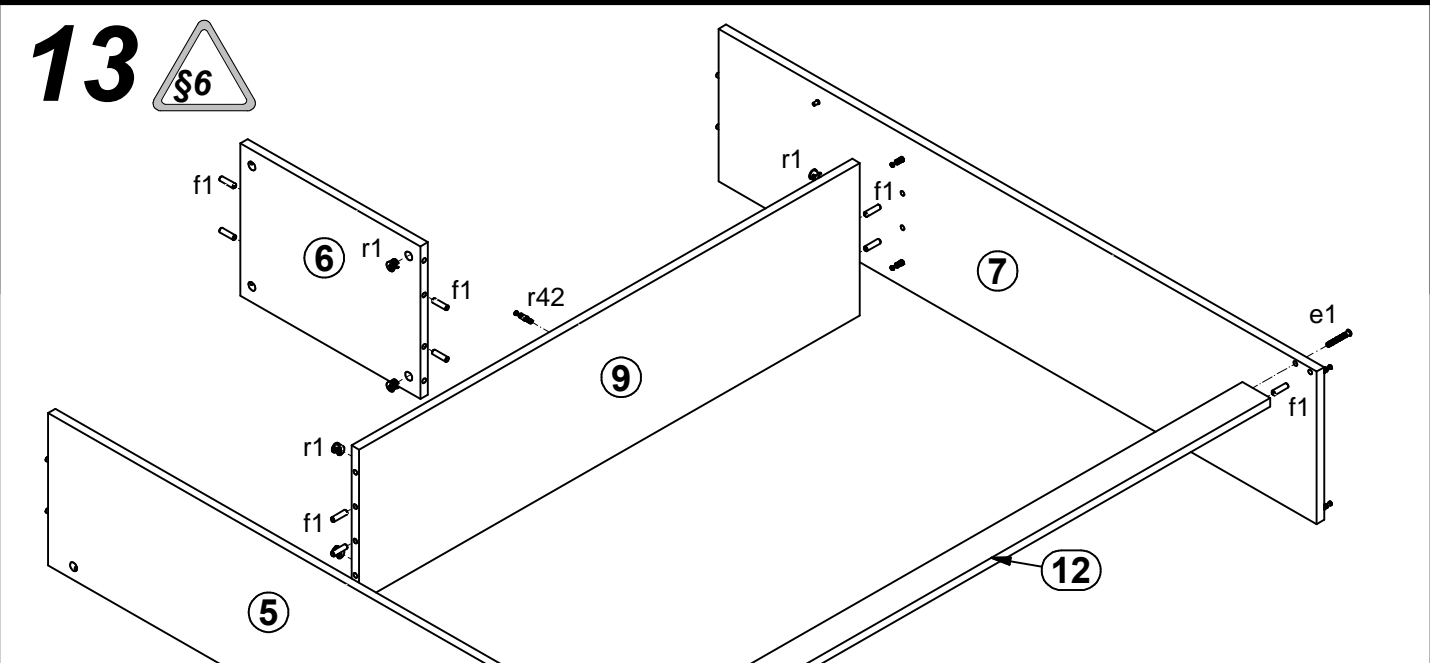
A	B	C	D	A	B	C	D		
1	M113-004	460	374	8/10	13	M113-405	510	40	2/10
2	M113-006	540	195	9/10	14	M113-406	510	60	2/10
3	M113-007	460	374	9/10	15	M113-510	1281	80	5/10
4	M113-109	1288	284	3/10	16	M113-578	1701	42	5/10
5	M113-110	1288	284	3/10	17	M113-579	645	80	5/10
6	M113-111	388	284	2/10	18	M113-904	409	1630	6/10
7	M113-112	1288	284	3/10	19	M113-905	888	1630	6/10
8	M113-204	1700	284	2/10	20	M113-906	483	258	6/10
9	M113-305	1078	284	3/10	21	ZS3-515	250	120	2/10
10	M113-306	613	284	2/10	22	ZS3-516	250	120	2/10
11	M113-307	510	284	1/10	23	ZS3-5511	461	120	2/10
12	M113-404	1078	60	2/10					



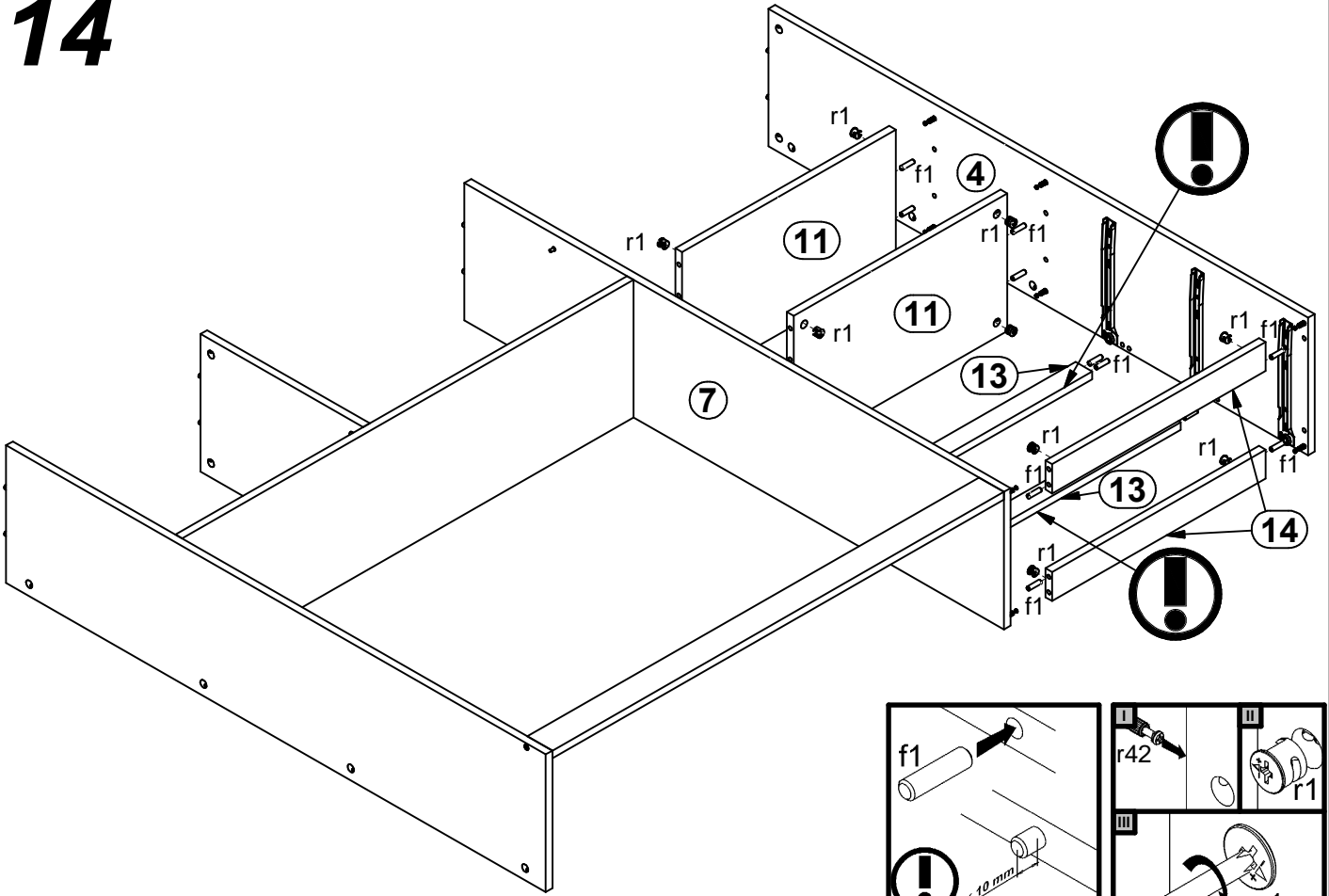
12



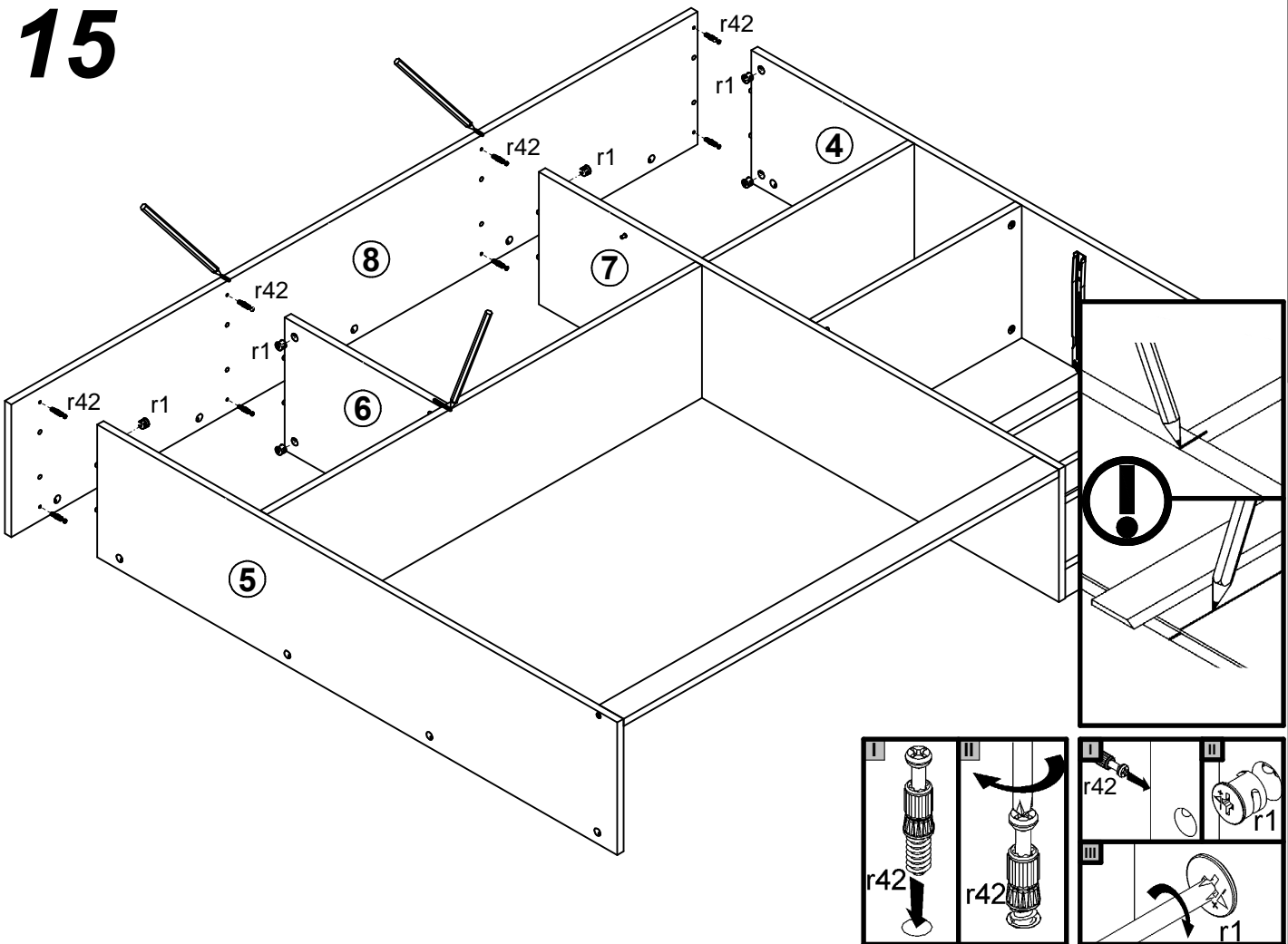
13



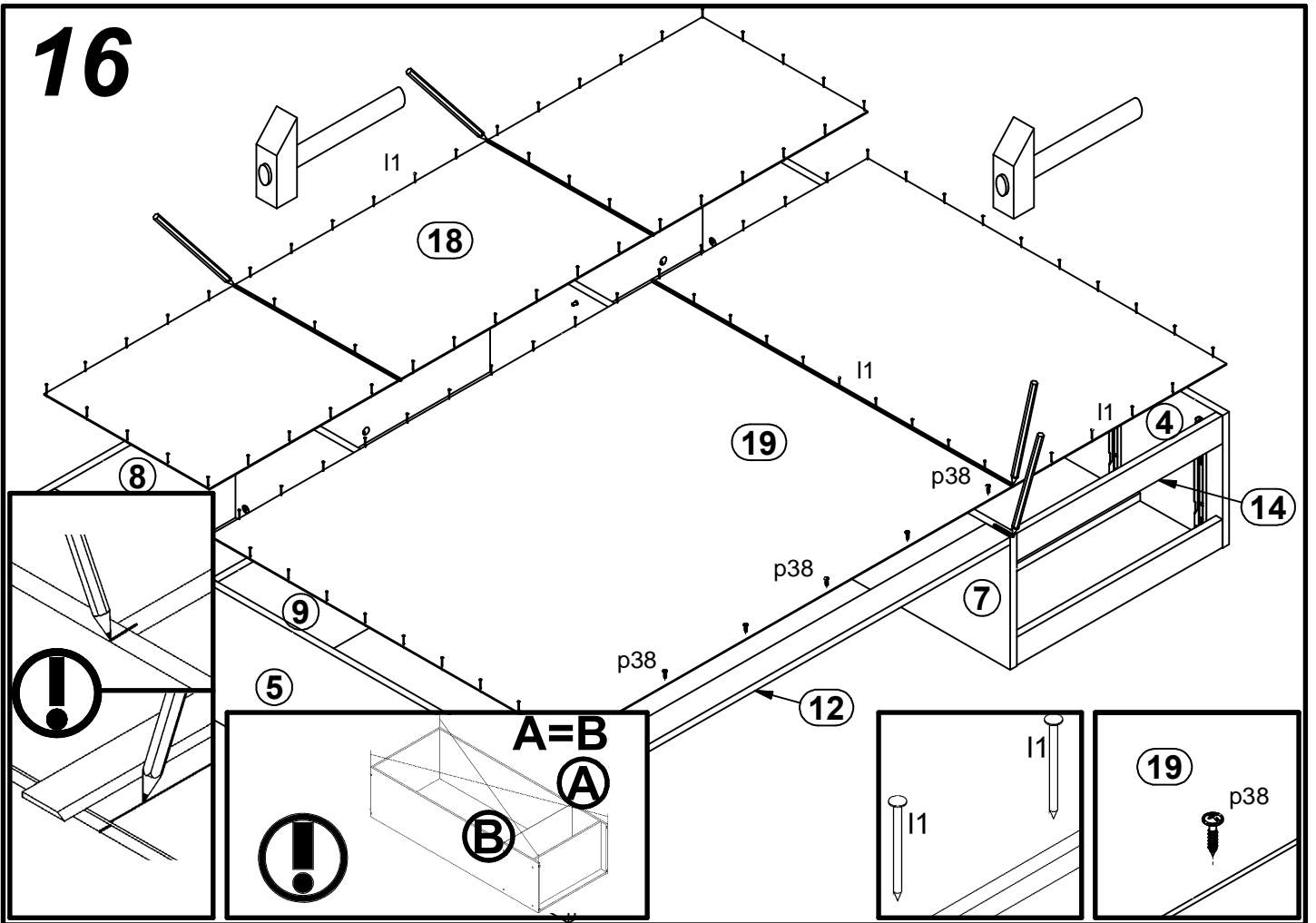
14



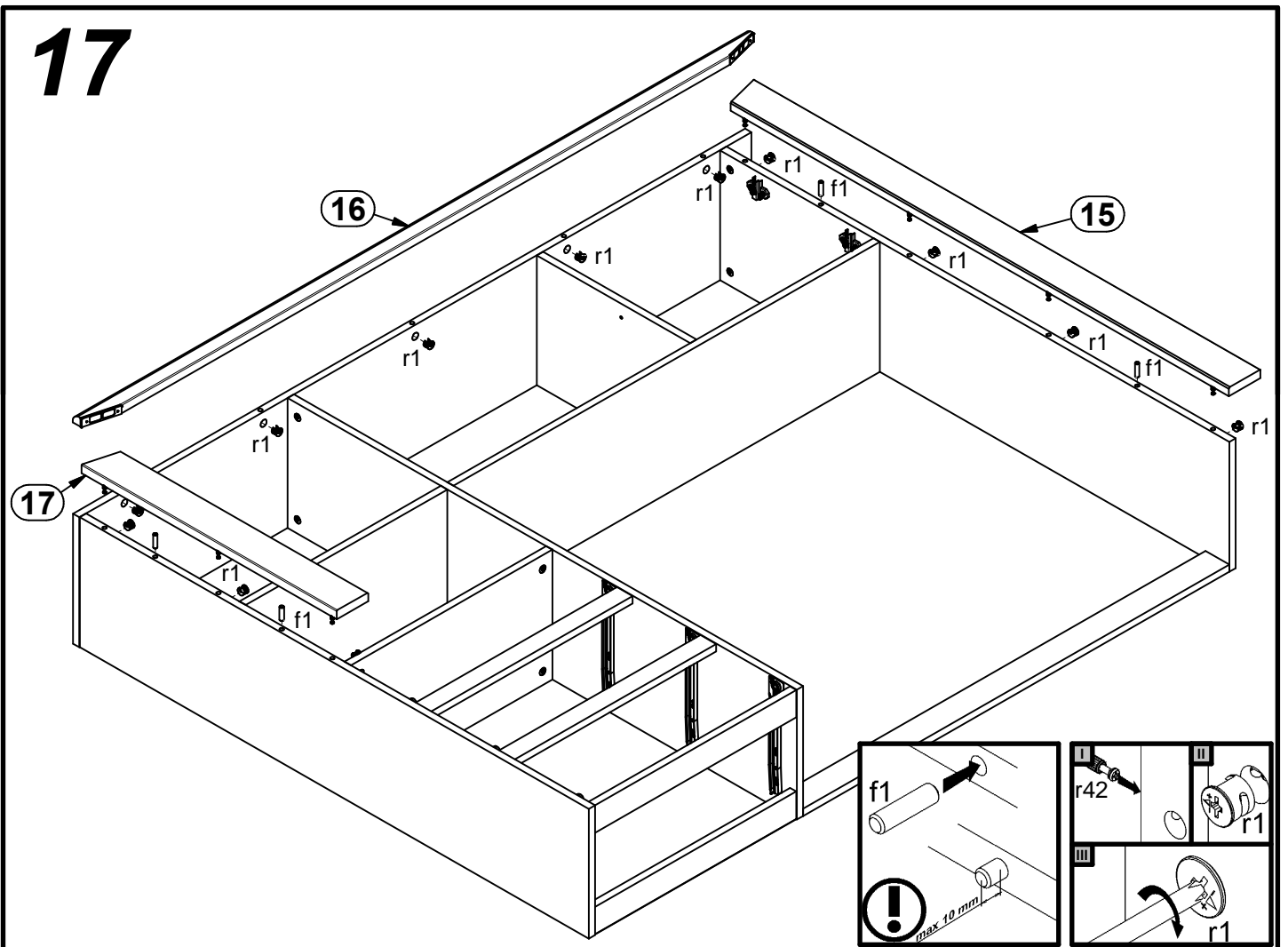
15



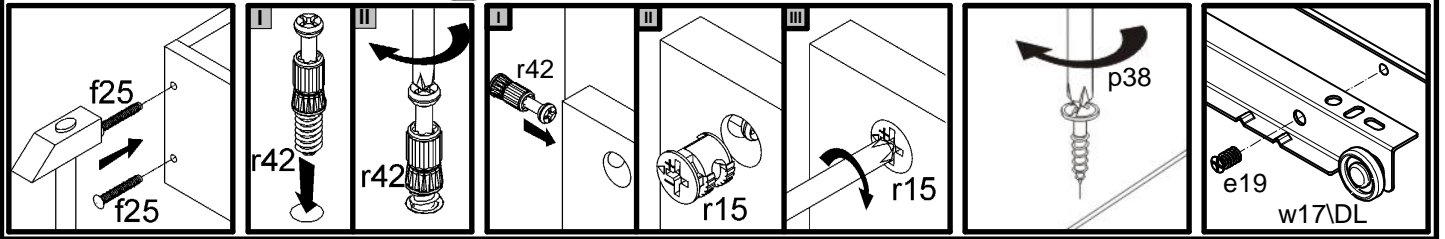
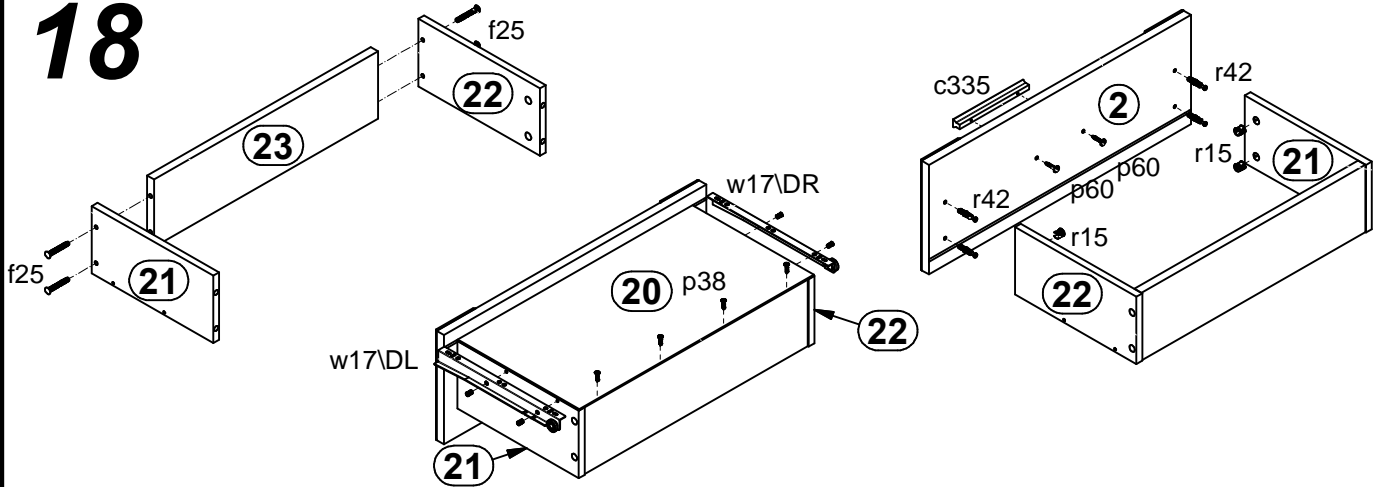
16



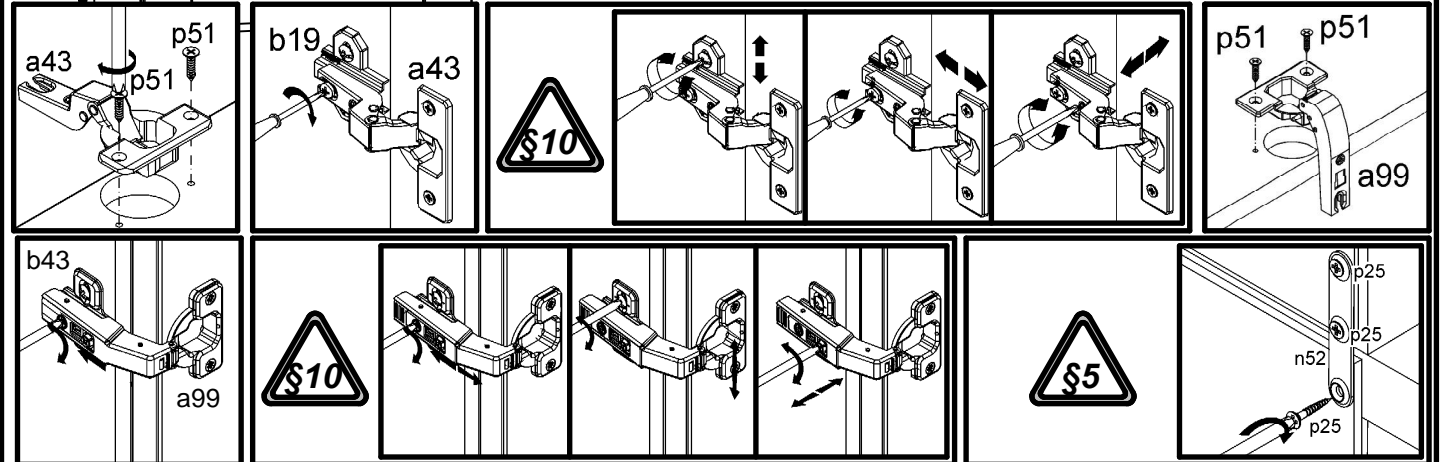
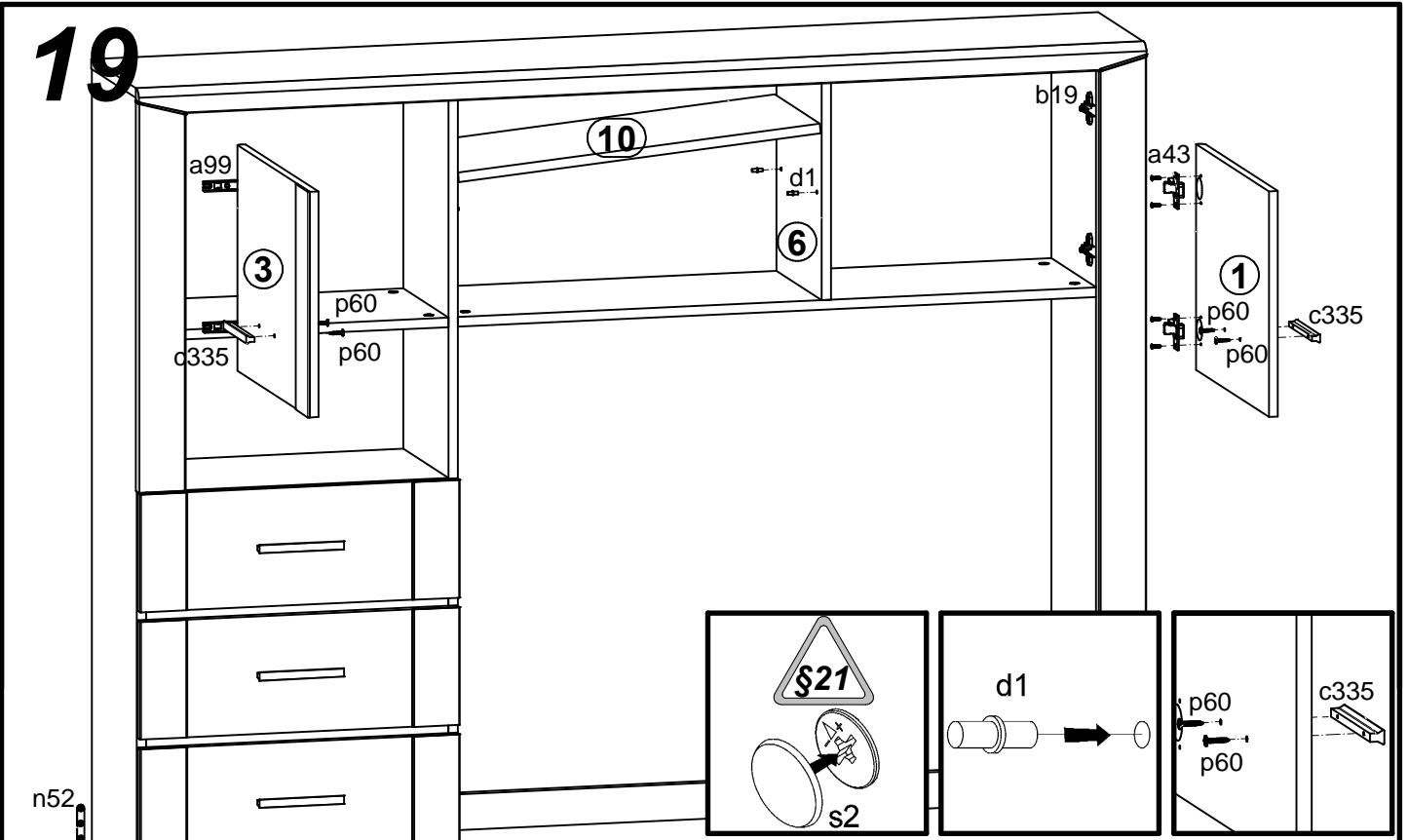
17



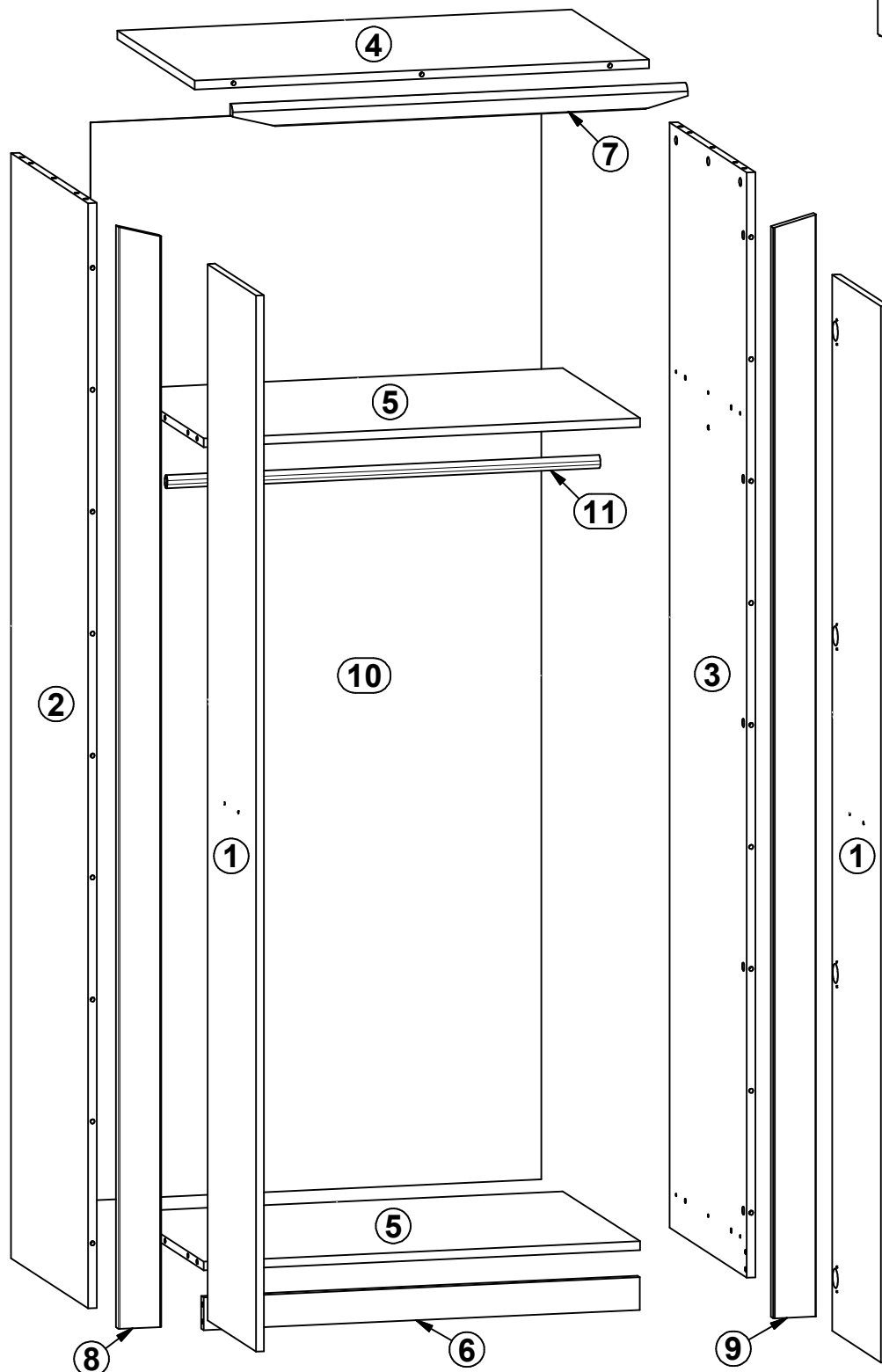
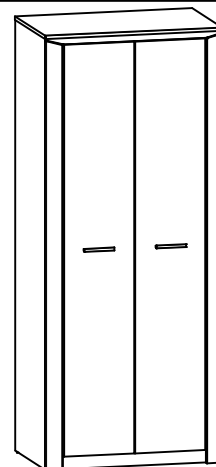
18



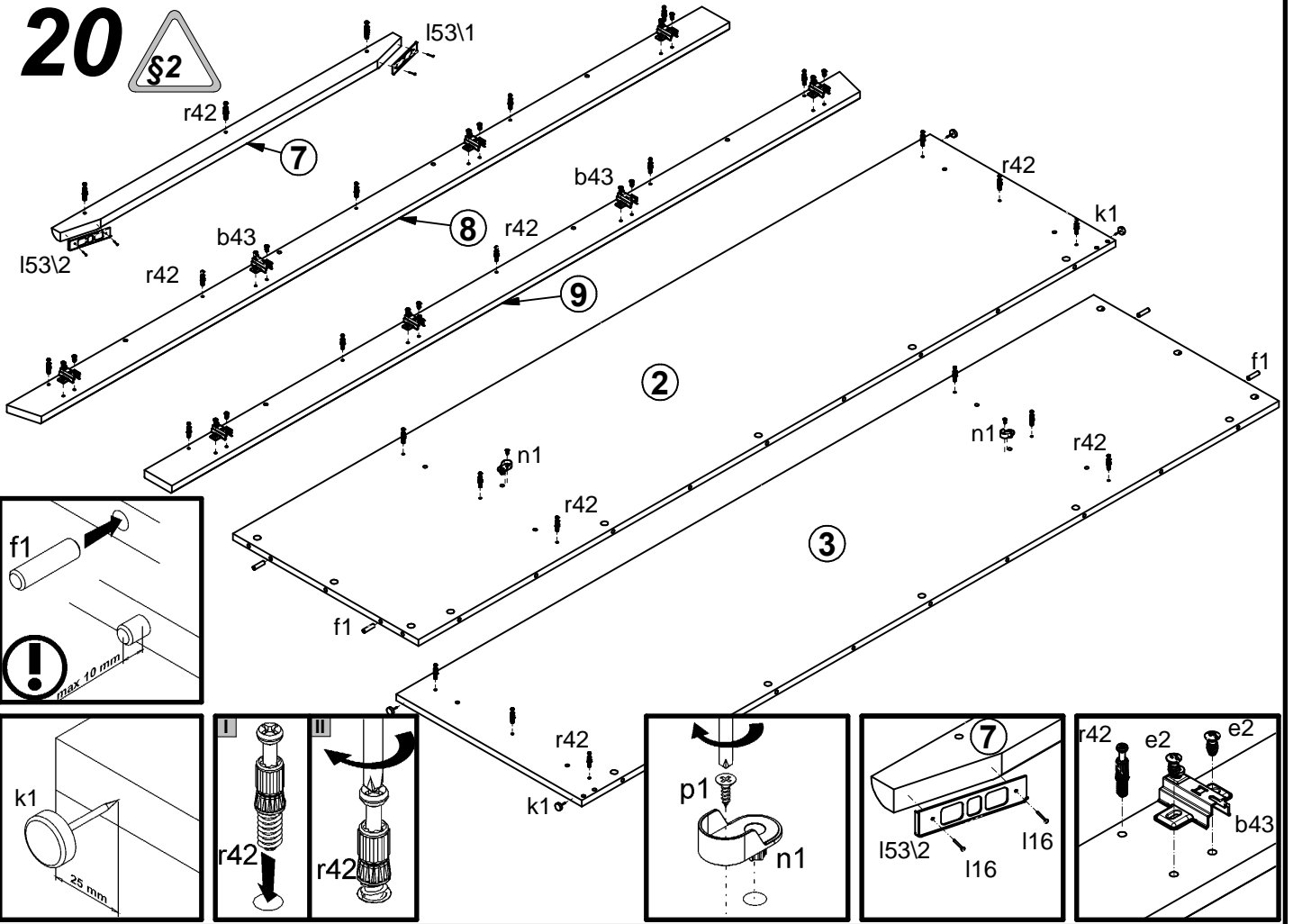
19



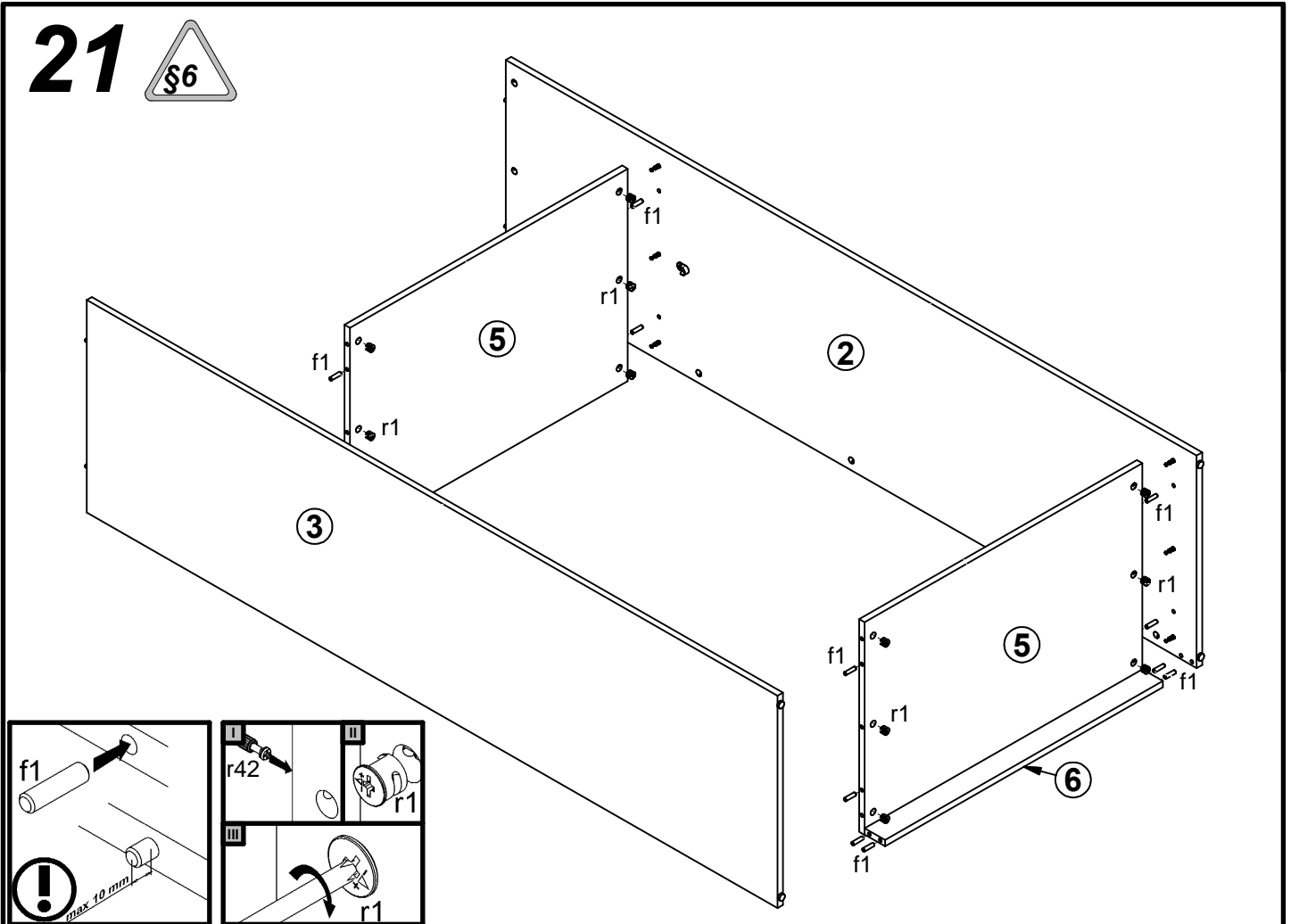
A	B	C	D	
1	M113-001	341	1940	8/10
2	M113-101	2030	540	1/10
3	M113-102	2030	540	1/10
4	M113-201	850	540	3/10
5	M113-301	816	540	3/10
6	M113-401	816	60	2/10
7	M113-571	851	42	5/10
8	M113-572	2024	80	5/10
9	M113-573	2024	80	5/10
10	M113-901	1980	843	6/10
11	dr-810	810	22	2/10



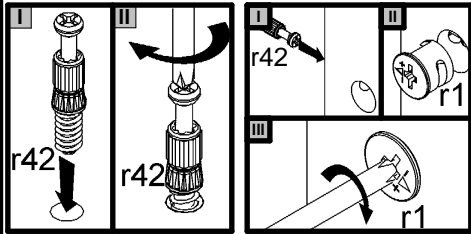
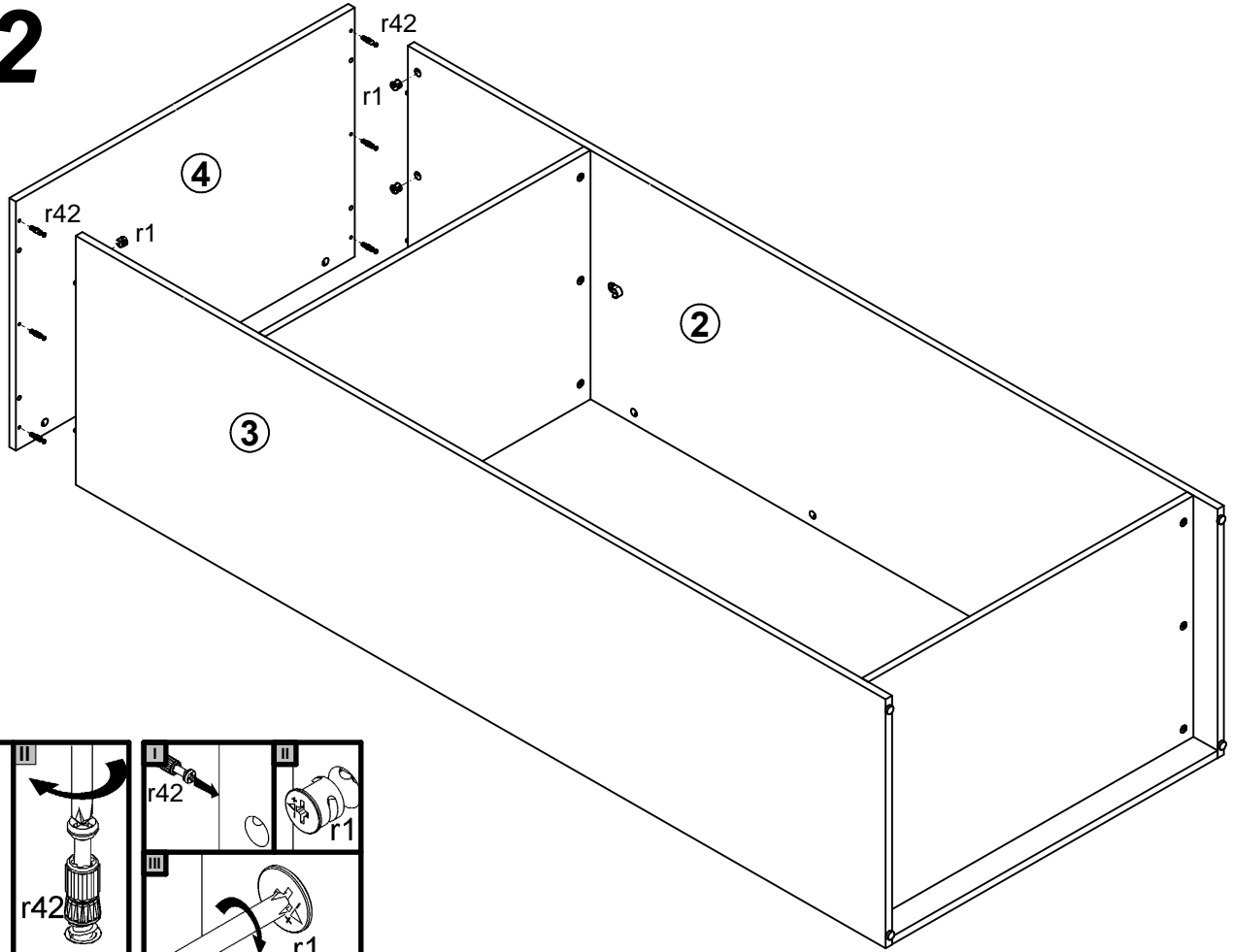
20



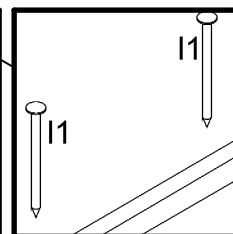
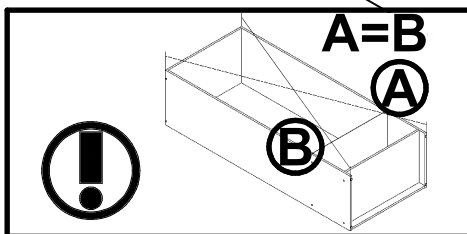
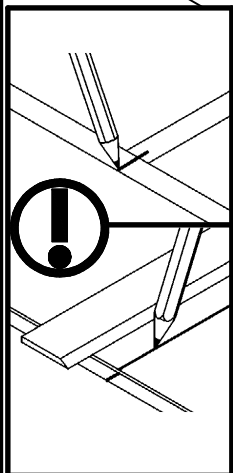
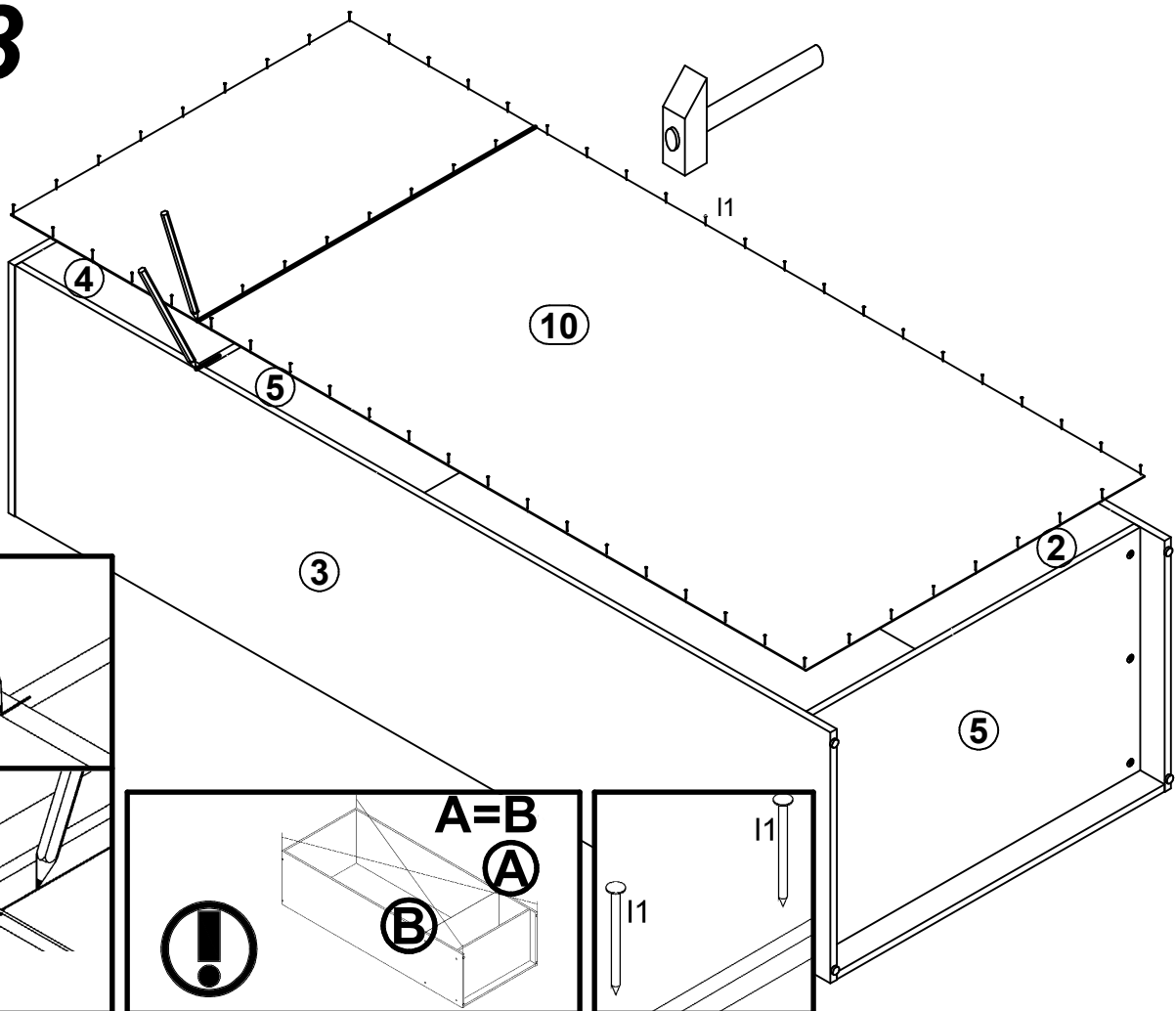
21



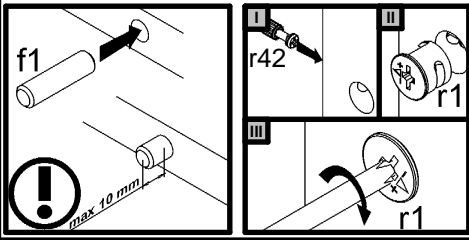
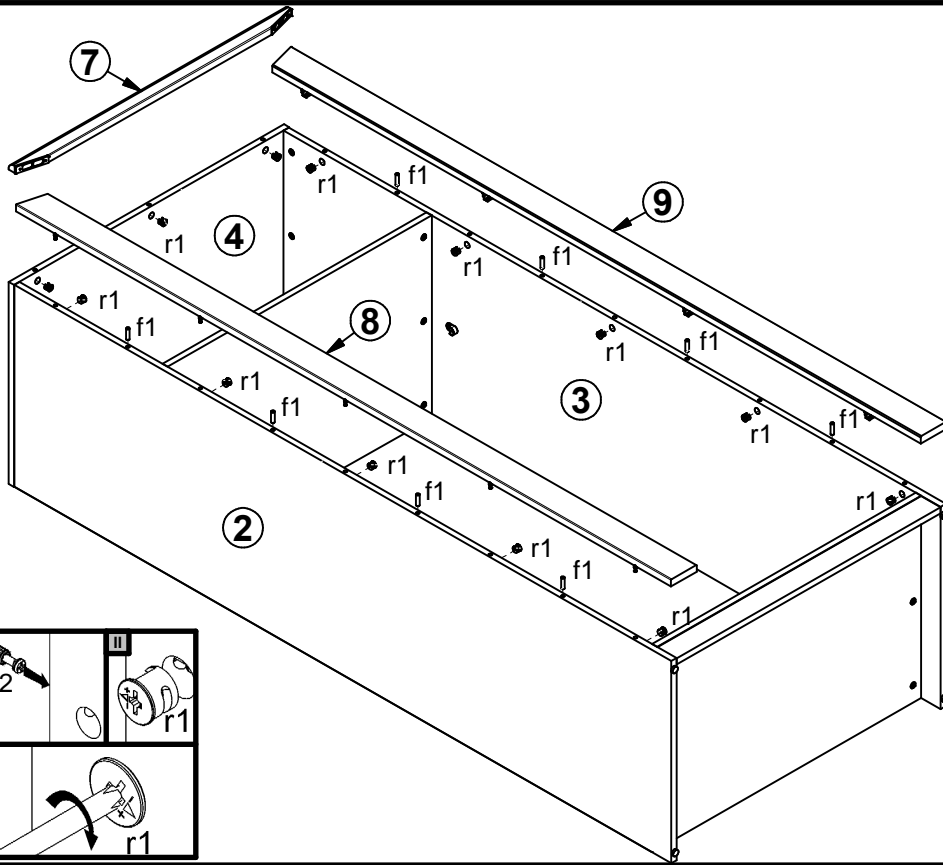
22



23



24



25

